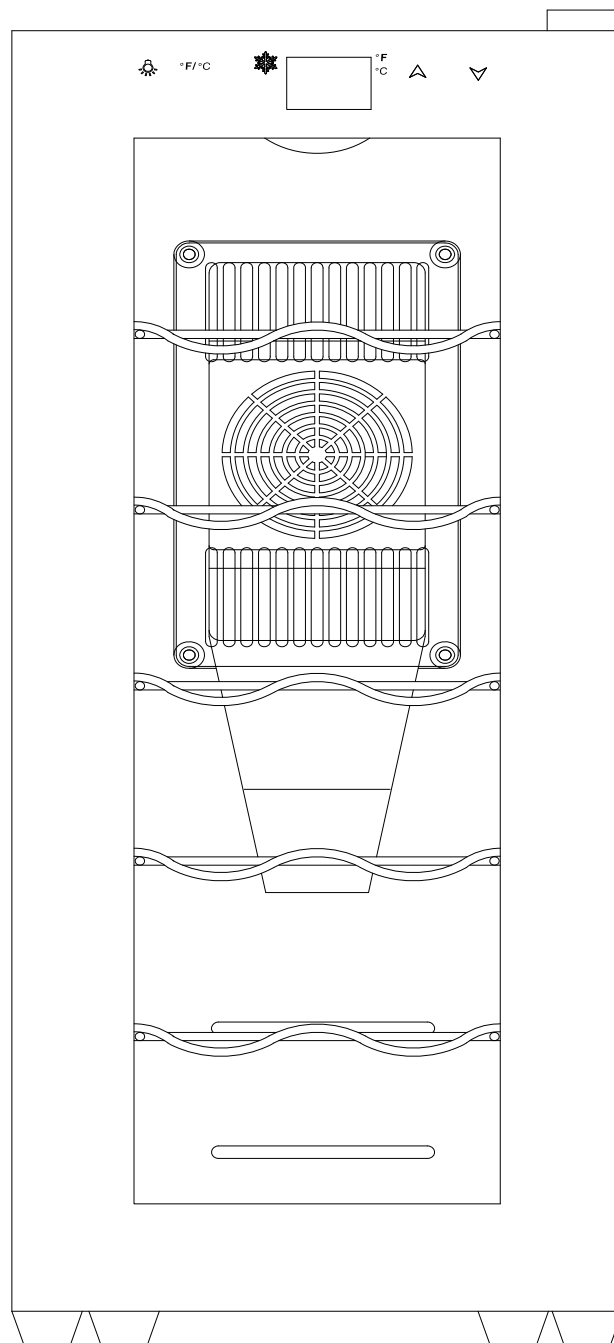


# THERMOELECTRIC WINE COOLER

Model No: ART29614



# Operation Manual

## Index

I. General Safety Precautions.....	3
II. Technical Data.....	4
III. Illustrated Structure.....	4
IV. Electric Principle Diagram.....	5
V. Operation .....	5
VI. Particular Precautions.....	6
VII. Maintenance.....	6
VIII. Troubleshooting.....	7

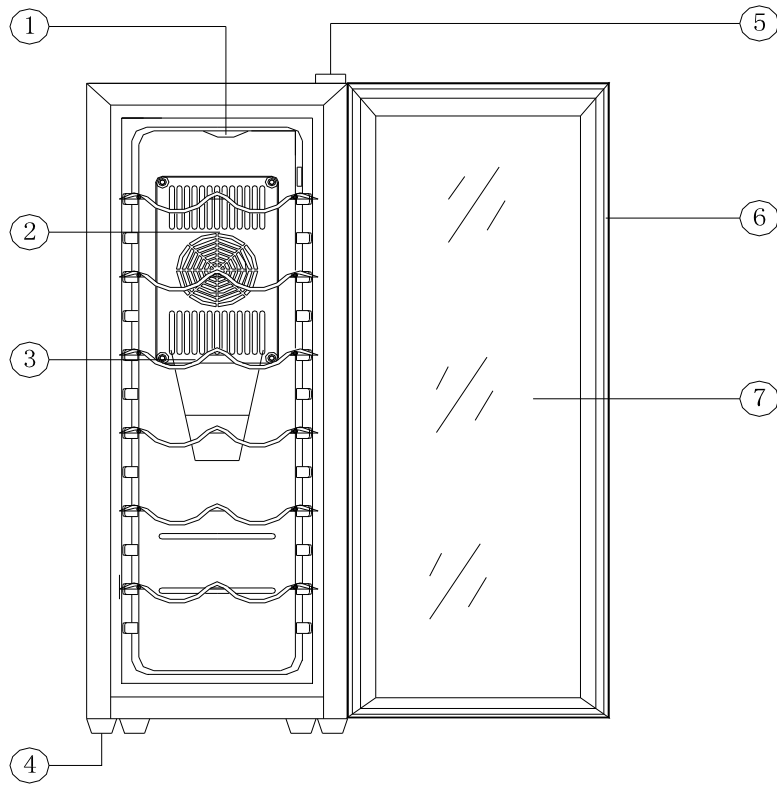
## I. GENERAL SAFETY PRECAUTIONS

- After removing the wine cooler from the package, make sure it is in good condition. In case of doubt, do not use it and contact an authorized service center.
- Plastic bags, nails, etc. Should be kept out of the reach of children, read the operation manual carefully and check that the rating data on the rating nameplate corresponds to your power supply.
- This appliance is not intended for use by persons (including children) with reduced physical, sensory or mental capabilities, or lack of experience and knowledge, unless they have been given supervision or instruction concerning use of the appliance by a person responsible for their safety.
- Before cleaning the wine cooler, make sure it is unplugged. Never clean the unit with an acid preparation, medical, dilution, gasoline, oil or any other kind of chemical substance that could damage the wine cooler
- Do not use the appliance if the plug, the mains cord or the appliance itself is damaged. If the mains cord is damaged, you must have it replaced by the manufacturer, or an authorized service centre or similarly qualified persons in order to avoid a hazard.
- Children should be supervised to ensure that they do not play with the appliance. Keep the mains cord out of the reach of children. Do not let the mains cord hang over the edge of the table or worktop on which the appliance stands.
- Repair should only be made by authorized service centers.
- **Caution**
  1. To reduce the risk of fire, replace only with same type fuse.
  2. Free standing installation only.
  3. Do not use extension cords.
  4. Danger: Risk of child entrapment. Before throwing away your old wine cooler, you must note:
    - a. Take off the door; b. Leave the shelves in place, so that children may not easily climb inside.

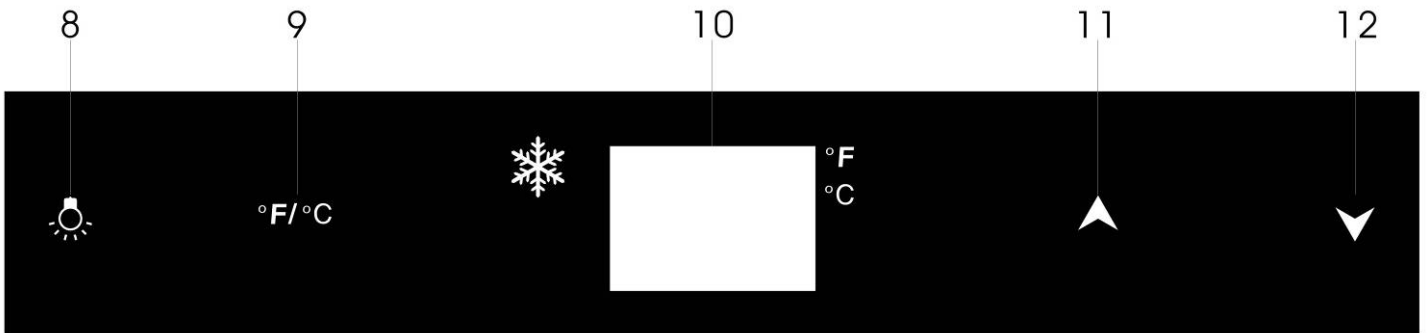
## II. TECHNICAL DATA

Type		ART29614
Volume (liter)		35 L
Material	Case	Iron
	Door	Glass
Unit Dimension (W×D×H)(mm)		260x495x650
Packing Dimension (W×D×H)(mm)		300x535x660
Net Weight (Kg)		12.4
Gross Weight (Kg)		13.4
Power Consumption (KW·h/24h)		0.80(15°C)
Fitting ambient temperature range of working		<32°C
Temperature Range		11°C-18(±1) °C (Base on 25°C)
Rated Voltage		220-240V
Rated Frequency		50HZ
Input power		70W

## III. ILLUSTRATED STRUCTURE

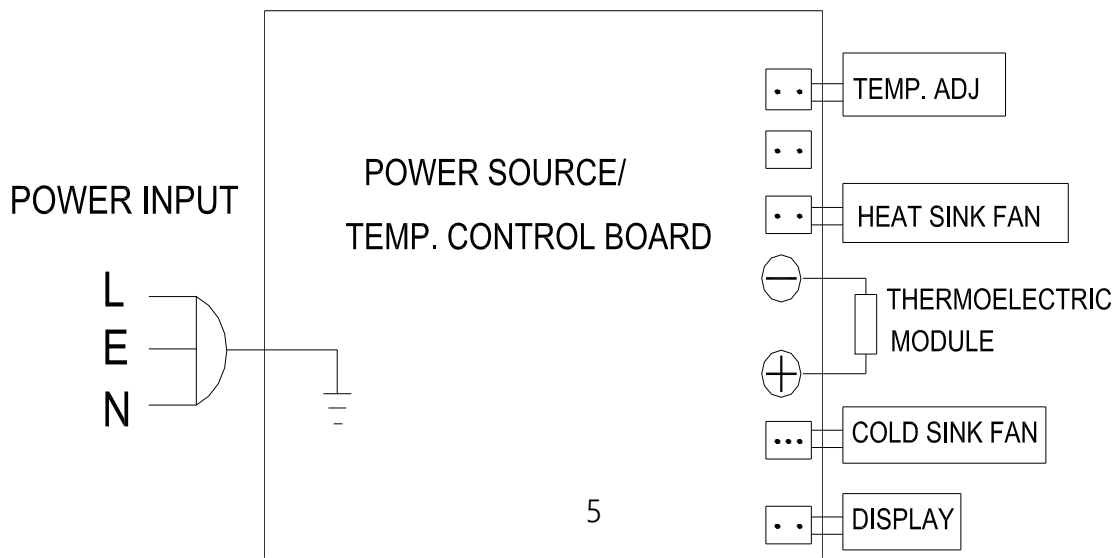


- 1. Light
- 2. Fan Mask
- 3. Chrome Shelf
- 4. Foot
- 5. Hinge cover
- 6. Magnetic Seal
- 7. Door



- 8. LIGHT
- 9. C/F button (Change from Celsius to Fahrenheit)
- 10. LED Display
- 11. Temperature UP
- 12. Temperature Down

#### IV. ELECTRIC PRINCIPLE DIAGRAM



## V. OPERATION OF WINE COOLER

- The inside temperature of the thermoelectric wine cooler depends on the room temperature. The wine cooler can be adjusted in the range of 8°—18°C ( $\pm 1^\circ\text{C}$ ), when it is located in an ideal room temperature of 25°C. By first time turn on, without putting any bottle inside the wine cooler, the product can be cooled to 15°C after 1.5 hours and after 2~2.5 hours more will reach to the temperature programmed by the manufacturer.
- You could set the temperature by touching "▲" and "▼" with your finger. When the inside temperature higher than the setting point cooling system will be work normally. When the inside temperature lower than the setting point, cooling system stop working. And the inside temperature will rise. When it raises above the setting point, Cooling System starts to work again, the cellar enters into cooling circles.
- This wine cooler have a LED light located on the top of cavity interior. You can turn the interior light ON or OFF by pressing the light switch.

## VI. PARTICULAR PRECAUTIONS

- In order to function at its potential, the wine cooler needs to be placed on flat floor, with 2cm spaces at each side and 10cm at the backside.
- Use the adjustable (iron case) to place the cellar fully horizontal.
- Avoid direct sunshine and carry high temperature.
- Do not place heavy articles on the top of the cellar.

## VII. MAINTENANCE

- Shut off power supply before cleaning cabinet.
- Take out wine and shelves, and then clean the cabinet with soda water first and with clean water last.
- Do not use soap or detergent for the cabinet.
- Clean the cellar regularly.

## VIII. TROUBLESHOOTING

Symptoms	Possible cause	Solutions
No cooling	<ul style="list-style-type: none"><li>● Plug not put in</li><li>● Low voltage</li><li>● Fuse broken</li></ul>	<ul style="list-style-type: none"><li>● Put in the plug</li><li>● Ensure normal voltage</li><li>● Change fuse</li></ul>
	<ul style="list-style-type: none"><li>● The wine cooler is placed too near heat source;</li></ul>	<ul style="list-style-type: none"><li>● Keep the wine cooler away from sunshine or other heat source;</li></ul>

<p>Not cold enough temperature inside</p>	<ul style="list-style-type: none"> <li>● Bad ventilation;</li> <li>● Fans don't work;</li> <li>● The door is not closed tightly or opened too frequently or for too long time;</li> </ul>	<ul style="list-style-type: none"> <li>● Place the wine cooler in the area with good ventilation and keep things away from the fans;</li> <li>● Check whether the plug is connected or change the fan;</li> <li>● Close the door tightly and don't open the door too frequently or for too long time.</li> </ul>
<p>Peculiar smell inside wine cooler</p>	<ul style="list-style-type: none"> <li>● Check whether there is any sour inside</li> </ul>	<ul style="list-style-type: none"> <li>● Wrap the source or take it out</li> </ul>
<p>Inside light flash</p>	<ul style="list-style-type: none"> <li>● Set temperature higher than inner temperature;</li> <li>● The automatic defrost function start to work</li> </ul>	<ul style="list-style-type: none"> <li>● Adjust the adjustor</li> <li>● Normal function. No repair needed</li> </ul>
<p>Frost on the cold sink</p>	<ul style="list-style-type: none"> <li>● Too much humidity or too low temperature inside the case</li> </ul>	<ul style="list-style-type: none"> <li>● Output the plug, stop the power, and defrost by hand, Connect power again when the ice thaws</li> </ul>