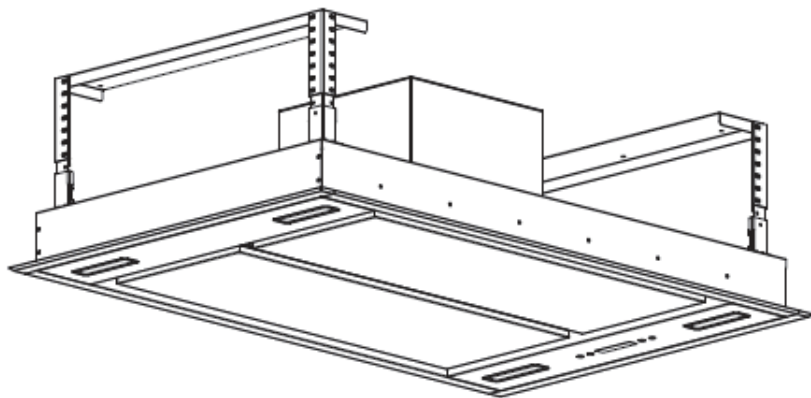
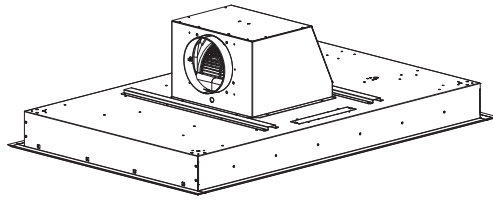


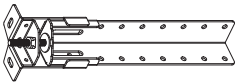
USER MANUAL

CEILING HOOD

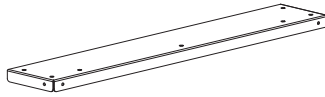




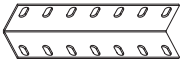
[01] x 1



[02] x 4



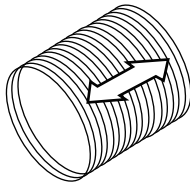
[03] x 2



[04] x 8



[05] x 1

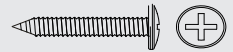


[06] x 1

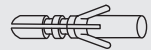
VENT PACK



[07] x 1



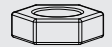
[08] x 14
(φ6 x 40mm)



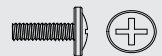
[09] x 14



[10] x 40



[11] x 40



[12] x 48
(φ4 x 10mm)

Let's get started...

These instructions are for your safety. Please read through them thoroughly before use and retain them for future reference.



Getting **started**...

03

Safety

04

Before you start

08



In more **detail**...

10

Product functions

10

Switching on/off

10

Care and maintenance

11

Troubleshooting

14

Recycling and disposal

15

Technical and legal information

16



Appendix

Installation

18

Information for EU66

25

These instructions are for your safety. Please read through them thoroughly prior to installation and retain them for future reference.



- All installation work must be carried out by a competent person or qualified electrician.
- This appliance must be installed correctly by a suitably qualified person, strictly following the manufacturer's instructions.

- ✓ This appliance complies with all current European safety legislation, however, the Manufacturer must emphasise that this compliance does not prevent the surfaces of the appliance from heating up during use and remaining hot during its operation.
- ✓ Accessible parts may become hot during use. Young children should be kept away. Care should be taken to avoid touching the appliance.
- ✓ The Manufacturer highly recommends that this appliance be kept out of the reach of babies and small children.
- ✓ This appliance can be used by children aged from 8 years and above and persons with reduced physical, sensory or mental capabilities or lack of experience and knowledge if they have been given supervision or instruction concerning use of the appliance in a safe way and understand the hazards involved. Children shall not play with the appliance. Cleaning and user maintenance shall not be made by children unless they are older than

8 and supervised.

- ✓ Keep the appliance and its cord out of reach of children less than 8 years.
- ✓ Means for disconnection must be incorporated in the fixed wiring in accordance with the wiring rules. An all-pole disconnection switch having a contact separation of at least 3mm in all poles should be connected in fixed wiring.
- ✓ Regularly check the power plug and power cord for damage. If the supply cord is damaged, it must be replaced by the manufacturer, its service agent or similarly qualified persons in order to avoid a danger or injury.
- ✓ Do not allow the electric cables to touch the hot parts of the appliance.
- ✓ Make sure that the power cord is not caught under or in the appliance and avoid damage to the power cable.
- ✓ Do not install the appliance outdoors in a damp place or in an area which may be prone to water leaks such as under or near a sink unit. In the event of a water leak allow the machine to dry naturally.
- ✓ **Warning:** Failure to install the screws or fixing device in accordance with these instructions may result in electrical hazards.
- ✓ **Warning:** When the range hood and appliances supplied with energy other than electricity are simultaneously in operation, the negative pressure in the room must not exceed 4 Pa (4×10^{-5} bar).

Safety

- Please dispose of the packing material carefully.
- Do not use flammable sprays in close vicinity to the appliance.
- We also recommend that great care be taken during use and cleaning. Read the cleaning and maintenance sections for this appliance carefully.
- A steam cleaner is not to be used.
- The appliance is not intended to be operated by means of external timer or separated remote-control system.
- The appliance is for domestic use only.
- Warning:** Consult local regulations regarding fumes outlets. Do not connect the hood to a fume, ventilation or hot air duct. Confirm that room ventilation is appropriate with the local authorities. Make sure the maximum air extraction flow rate for the appliances in the room does not exceed 4 Pa (0.04 mbar). The room must have adequate ventilation if an extractor hood is used simultaneously with appliances that run on gas or other fuels. The air must not be discharged into a flue that is used for exhausting fumes from appliances burning gas or other fuels. Regulations regarding air extraction must be complied with.
- Warning:** Before connecting the hood: switch off the electricity supply and check that the supplied voltage and frequency coincide with that indicated on the appliance nameplate.
- Warning:** The hood may stop working during an electrostatic discharge (e.g. lightning). This

- involves no risk of damage. Switch off the electricity supply to the hood and reconnect after one minute.
- ☑ To avoid the risk of fire, clean the metal filter regularly and closely watch and regulate pans containing hot oil.
 - ☑ Do not use the hood if it shows signs of damage or imperfection. Contact customer services.
 - ☑ Flambe cooking must not be carried out underneath this appliance.
 - ☑ When installing the appliance, make sure that the following distances between the top of cooker or hob and the lowest part of the cooker hood must be observed:
 - > Gas hobs: 750mm.
 - > Electric hobs: 650mm.
 - ☑ The Manufacturer declines all liability for personal or material damage as a result of misuse or incorrect installation of this appliance.
 - ☑ Regarding the information pertaining to installation, thanks to refer to the below paragraph of the manual.
 - ☑ Regarding the information for replacing the bulb, please see section "Care and maintenance".



Warning

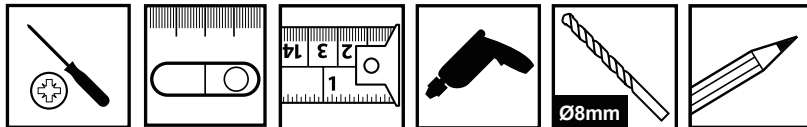
There is a risk of electric shock and fire if cleaning is not carried out in accordance with the instructions.

Before you start

Things to check before you start

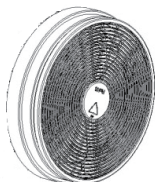
- To avoid the risks that are always present when you use an electrical appliance it is important that this cooker hood is installed correctly and that you read the safety instructions carefully to avoid misuse and hazards. We recommend that you keep this instruction booklet for future reference and pass it on to any future owners. After unpacking the cooker hood please check that it is not damaged. If in doubt, do not use the appliance but contact Customer Services on 0344 800 1128 (UK) and 01 4475261 (Ireland).
- Check the package and make sure you have all of the parts listed.
- Decide on the appropriate location for your product.
- If this product contains glass please take care with fitting or handling to prevent personal injury or damage to the product.
- This specifications plate is available on this appliance. This plate displays all the necessary identification information for ordering replacement parts.
- If you sell the appliance, give it away, or leave it behind when you move house, make sure you also pass on this manual so that the new owner can become familiar with the appliance and its safety warnings.

You will need



Accessories not supplied

Recirculation



ATFILT1 (UK & IE)

CARBON FILTER ORDERING HOTLINE

0344 800 1128 (UK)

014475261 (IE)

Product functions

- This appliance extracts the air of the kitchen to remove the odours and keep an optimum level of air quality inside the room, it also allows you to illuminate the cooking area.





Switching on/off

- Switch on the appliance at the switched fused connection unit. The appliance is ready for use.

Control panel



This panel is located on the front part of the hood and includes:

-  Be used for delay timer function. “Light” and “Speed” button can be setting time at LCD panel display. Then extractor will operate at the current speed by your setting time. When time out, extractor will be closed, but the lamp is not affected.
-  On/off button of the light.
-  On/off button of the extractor fan. Can be choices 3 speed settings: Low, Mid and High speed. Press the button first, the extractor works at Low speed. When choose the High speed, it will adjust to work on Mid speed automatically after 7 minutes.
-  On/off button of the extractor power. Press button once, the extractor will work at the speed it works last time.

LCD panel, when a function button is selected, the corresponding indicator light will be on. And the LCD panel can display 24-hour system, when both Light and Speed button don't work, Timer button can be used for time-setting when press it with about 3 seconds, then can be setted by Light and Speed button. After setting hour, you can start setting minute by pressing Timer button again.

Remote control



Lighting
On/off button of the light.



Turning on / Increasing motor speed
1st press, Low speed.
2nd press, Medium speed.
3rd press High speed.



Turning off / Decreasing motor speed
Press it then the motor begins shift to a lower speed and the LCD screen display the speed level. Repeating press, it keeps on decreasing the motor speed to till the cooker hood turning off.



Timer
Press the button to set up the timer on/off function.

To obtain the best results from your cooker hood it is recommended that you leave it switched on for 15 minutes after you have finished cooking.

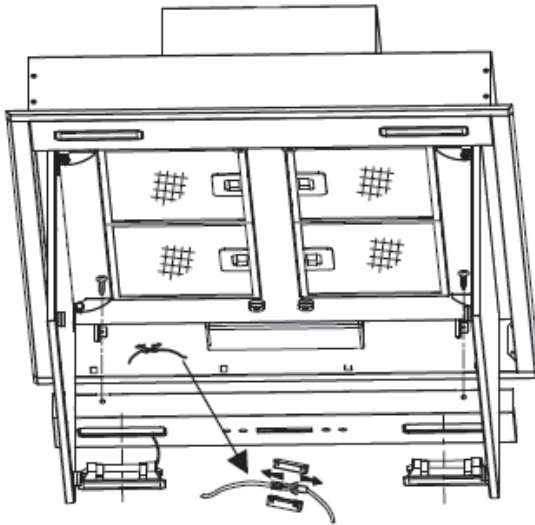
Bulb replacement

Important :

- The bulb must be replaced by the manufacturer, its service agent or similarly qualified persons.
- Always switch off the electricity supply before carrying out any operations on the appliance. When handling bulb, make sure it is completely cool down before any direct contact to hands.
- When handling globes hold with a cloth or gloves to ensure perspiration does not come in contact with the globe as this can reduce the life of the globe.

Changing a lamp bulb for high pressure LED

Use the screw driver loosen the ST4*8MM self tapping screw (2pcs) from the lighting panel, take out the lighting fixture. Open the terminal box that connected with the wire, disconnect the wire connector and replace the lamp.



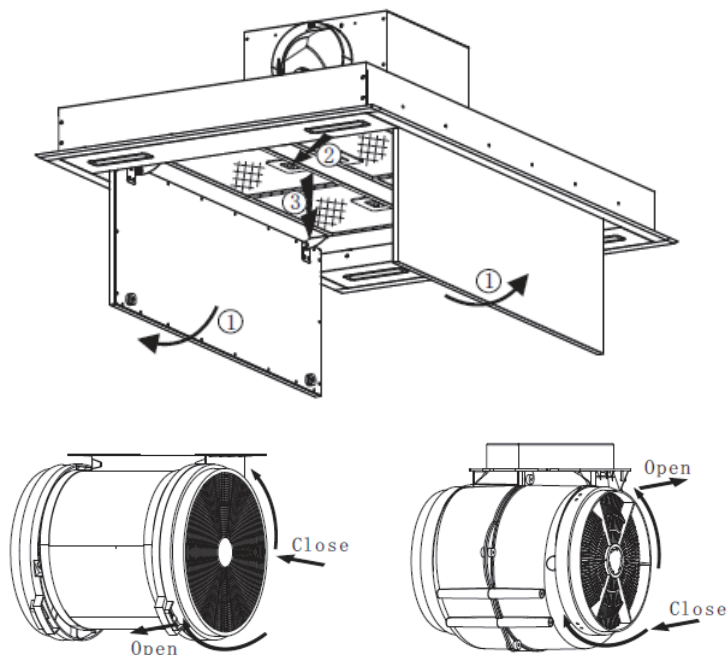
Care and maintenance

Active charcoal filter replacement

INSTALLING GREASE MESH FILTERS

- To install filters for the following four steps:
 - Angle the filter into slots at the back of the hood.
 - Push the button on handle of the filter.
 - Release the handle once the filter fits into a resting position.
 - Repeat to install all filters.

CARBON FILTER-buy separately

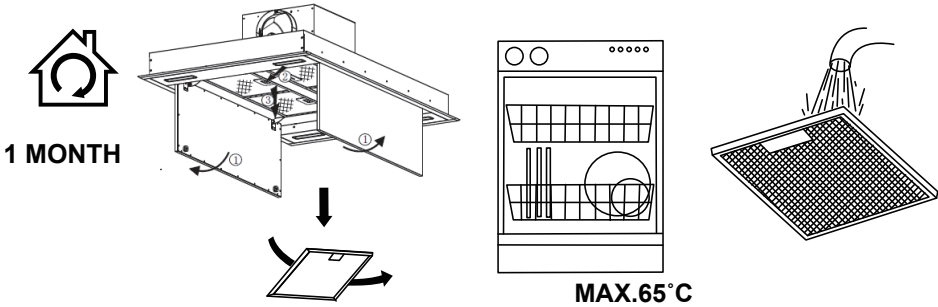


2x ACTIVE CHARCOAL FILTER (NOT SUPPLIED)
 MODEL NUMBER ATFILT1 (UK & IE)

NOTE:

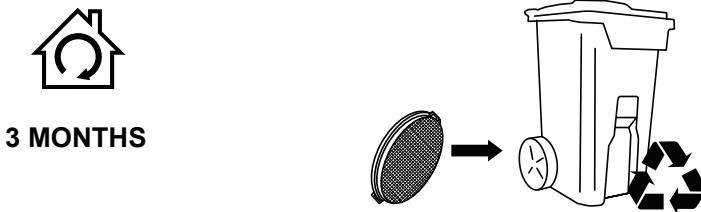
- Make sure the filter is securely locked. Otherwise, it would loosen and cause dangerous.
- When activated carbon filter attached, the suction power will be lowered.

Aluminium and active charcoal filters replacement



Aluminium filters: To avoid fires, clean thoroughly once a month or whenever the display pilot light lights up (if fitted). To do so, remove the filters and soak in hot water and detergent for an hour. If using a dishwasher, position the filters vertically to improve the cleaning process.

Active charcoal filters:
Replace every 3 months.



Note: Increase the filter cleaning/replacement frequency if the hood is used for more than 2 hours a day. Always use genuine filters from the manufacturer.

Troubleshooting

Troubleshooting

Fault	Cause	Solution
Light on, but motor does not work.	Fan switch turned off.	Select a fan switch position.
	Fan switch failed.	Contact service center.
	Motor failed.	Contact service center.
Light on, but motor does not work.	House fuses blown.	Reset/Replace fuses.
	Power cord loose or disconnected.	Refit cord to power outlet. Switch power outlet on.
Oil leakage.	One way valve and the air ventilation entrance are not tightly sealed.	Take down the one way valve and seal with sealant.
	Leakage from the connection of U-shaped section and cover.	Take U-shaped section down and seal.
Lights not working.	Broken/Faulty globes.	Replace globes as per this instruction.
Insufficient suction	The distance between the range hood and the gas top is too far.	Refit the range hood to the correct distance.
The Range hood inclines	The fixing screw not tight enough.	Tighten the hanging screw and make it horizontal.

Recycling and disposal

Environmental protection

Waste electrical products should not be disposed of with household waste. Please recycle where facilities exist. Check with your Local Authority or retailer for recycling advice.



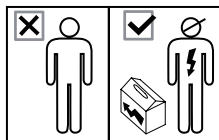
The symbol on the product or its packaging indicates that this product cannot be treated as normal household waste. This product must be handed over to an electric and electronic equipment collection point for recycling.

On ensuring that this product is disposed of correctly, you will help to avoid possible negative consequences for the environment and public health, which could occur if this product is not handled correctly. To receive more detailed information about recycling this product, contact your local government, domestic waste disposal services or the outlet where the product was bought.

Technical specification

Supply voltage	220-240V~, 50Hz
Power consumption - Fan	380W
Power consumption - Luminary	4 x 2.5W Max
Power consumption - Total	390W
Protection class	I
Light bulb	Max. 2.5W (LED)
ILCOSD Code	DBS-2.5/65-H-120/33

Wiring

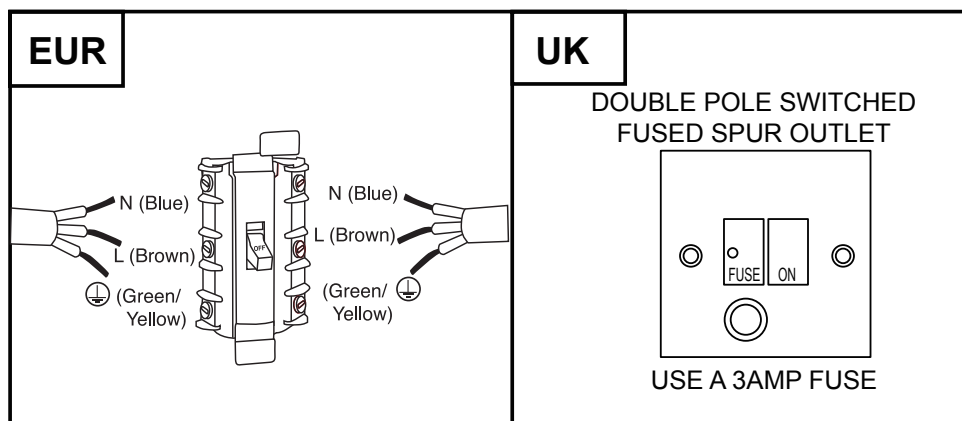


All installation work must be carried out by a competent person or qualified electrician.
Before connecting the mains supply ensure that the mains voltage corresponds to the voltage on the rating plate.



WARNING: THIS APPLIANCE MUST BE EARTHED.

Mains Supply could be connected to the Mains Voltage by Direct Connection



Direct Connection

If the appliance is being connected directly to the mains an omnipolar circuit-breaker must be installed with a minimum opening of 3mm between contacts.

The installer must ensure that the correct electrical connection has been made and that it complies with wiring diagram.

The cable must not be bent or compressed.

Regularly check the power plug and power cord for damage. If the supply cord is damaged, it must be replaced by a special cord or assembly available from the manufacturer or its service agent.

Technical and legal information

The Manufacturer declines all liability for damage caused to persons and objects due to incorrect or improper installation of the appliance.

Electrical Requirements

Any permanent electrical installation must comply with the latest I.E.E. regulations and local electricity company regulations. For your own safety a qualified electrician or contractor who is on the roll of the National Inspection Council for Electrical Installation Contracting (NICEIC) should undertake the electrical installation.

Electrical Connection

Before connecting the mains supply ensure that the mains voltage corresponds to the voltage on the rating plate inside the appliance.



WARNING: THIS APPLIANCE MUST BE EARTHED

The appliance is supplied with a 3-core mains cable and must be connected to the electricity supply via a double pole switch having a 3mm minimum contact gap on each connector.

For UK only

A Switched Fused Connection Unit to BS 1363 Part 4 is recommended.

The fuse must be rated at 3 Amps.

The wires in the mains lead are coloured in accordance with the following code:

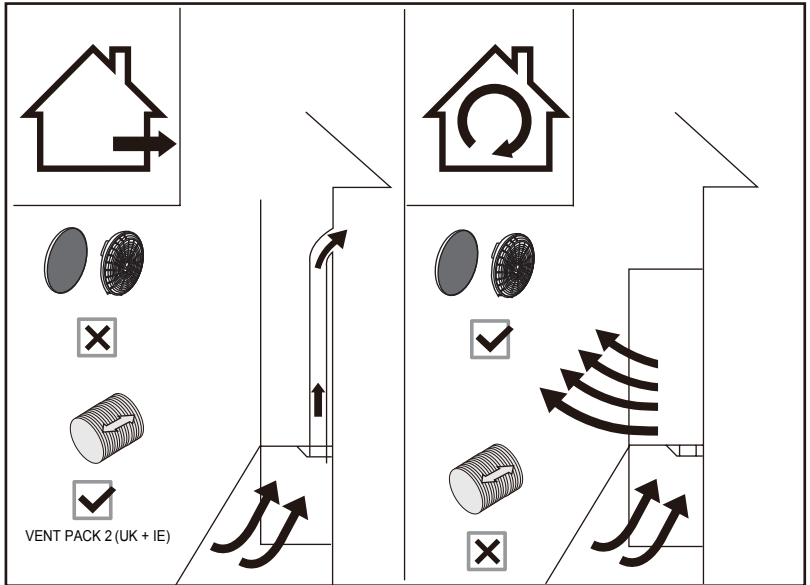
Brown = L - Live

Blue = N - Neutral

Green/Yellow = ⊕ - Earth

The connection point must be placed in a position adjacent to the appliance so as to be readily accessible for an engineer in the event of a breakdown.

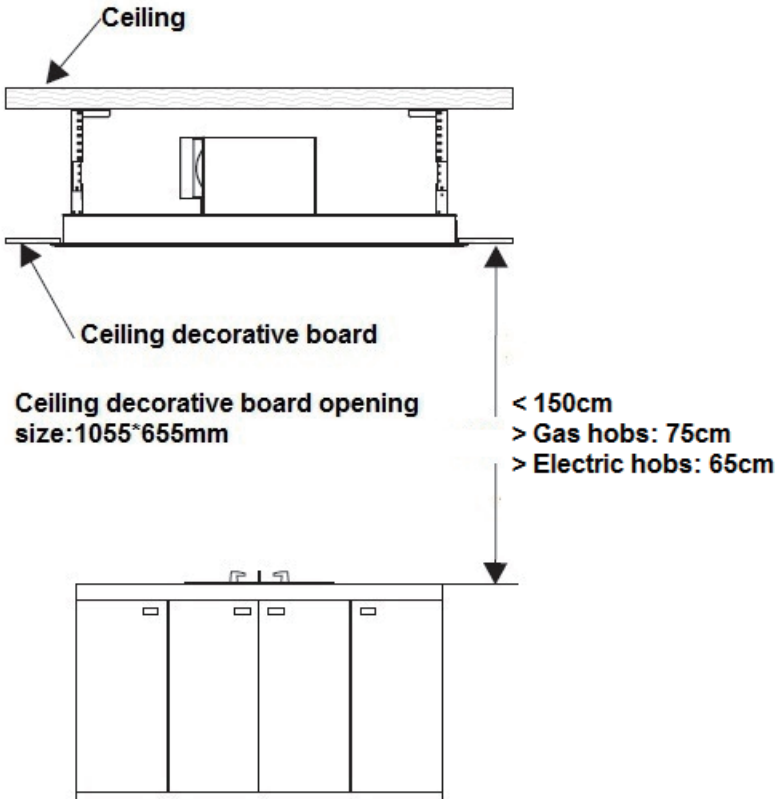
01



DUCTED OPTION

RECIRCULATION OPTION

You can choose two type of installation:
- Ducted option
- Recirculation option

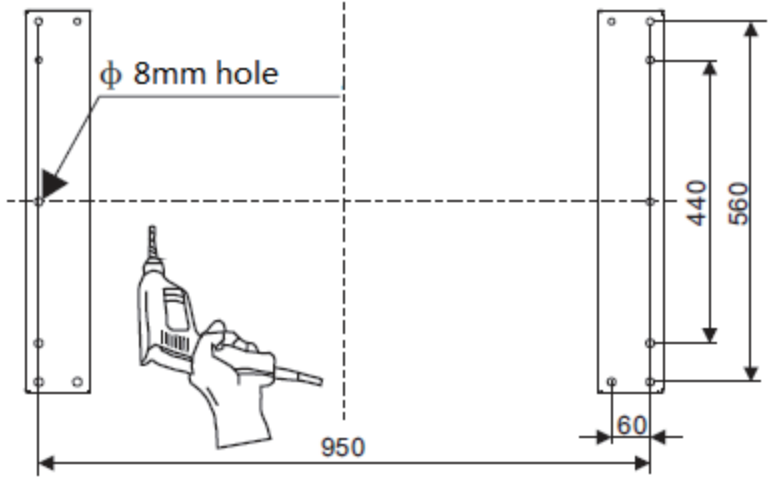


Ensure the cooker hood should be placed at a distance as shown above.
The ceiling must can bear at least 120KGs weight, and the thickness of the ceiling must be $\geq 30\text{MM}$.



Warning: Failure to install the screws or fixing device in accordance with these instructions may result in electrical hazards.

03



Drill 14 holes with 8mm diameter on the ceiling once the installation height is determined.

04



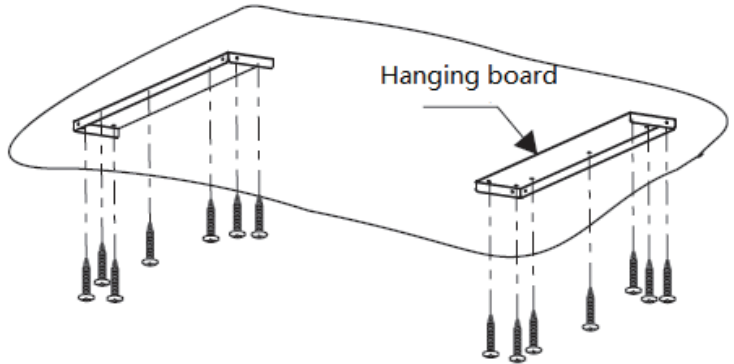
[08] x 14



[09] x 14



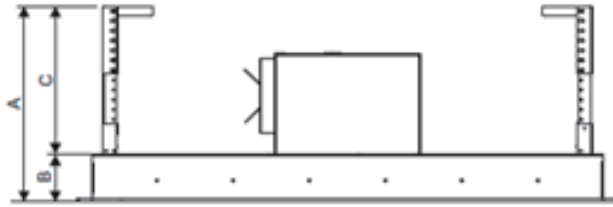
[03] x 2



14pcs plastic plug and screws will be used to fix the two hanging board on the wooden ceiling.

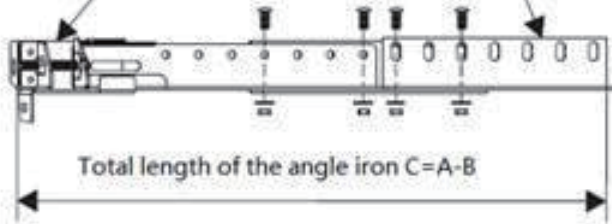
Note: Where the appliance is being mounted to a solid (concrete) ceiling then suitable alternative fixings should be used i.e. concrete fixing bolts (anchor bolts.) If you are in any doubt of which fixings should be used please seek the advice of a structural engineer or builder.

05



adjustable angle iron
bracket

Angle iron



Total length of the angle iron $C = A - B$



[05] x 1



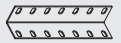
[10]



[11]



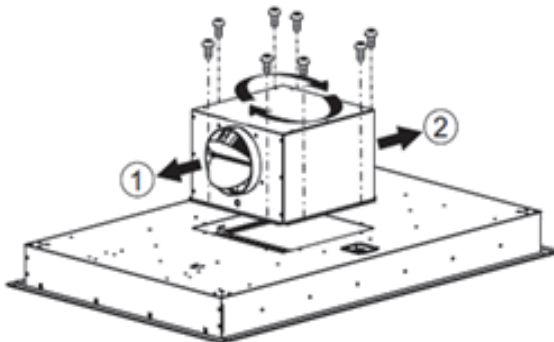
[12]



[04]

Fix the one-way-valve to the air outlet of the cooker hood.
Install one or two angle iron according to actual demand, then use 16pcs or 32pcs M4*10 screws and M4 nut with gasket to connect the angle iron into the adjustable angle iron bracket.
(Make sure the overlap length of angle iron cannot less than 36mm)

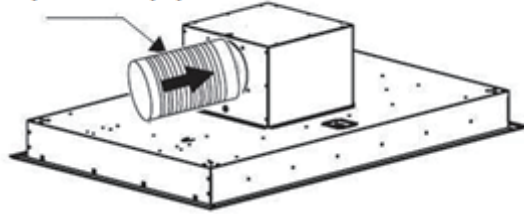
06



You can choose the direction of the outlet ① or ②, unscrew the 8 pcs machine silk from the housing and rotate it by 180°.

07

Expansion pipe

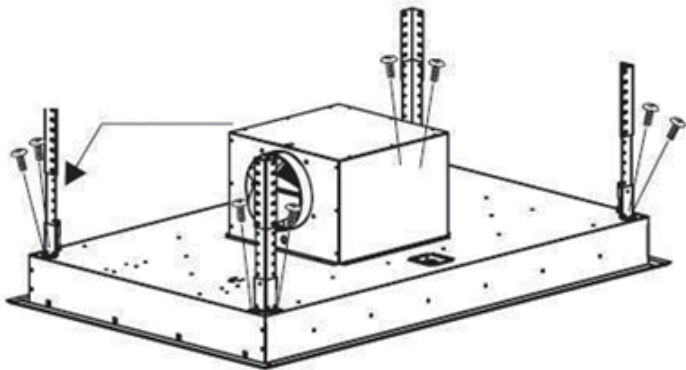


Install the expansion pipe to the outlet.

08



[12] X 8

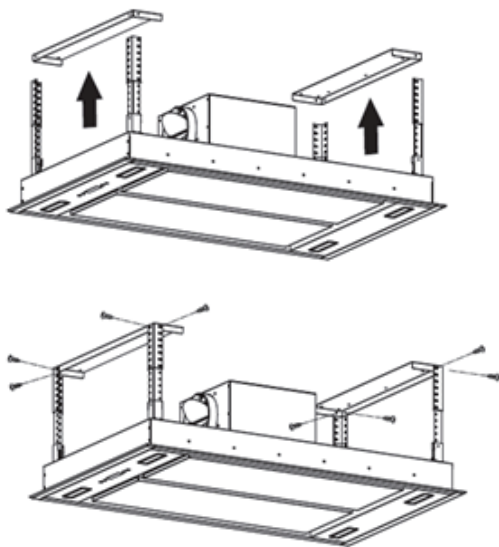


Connect the 4 adjustable angle code unit with the housing by 8 pcs M4*10mm machine silk screw.

09

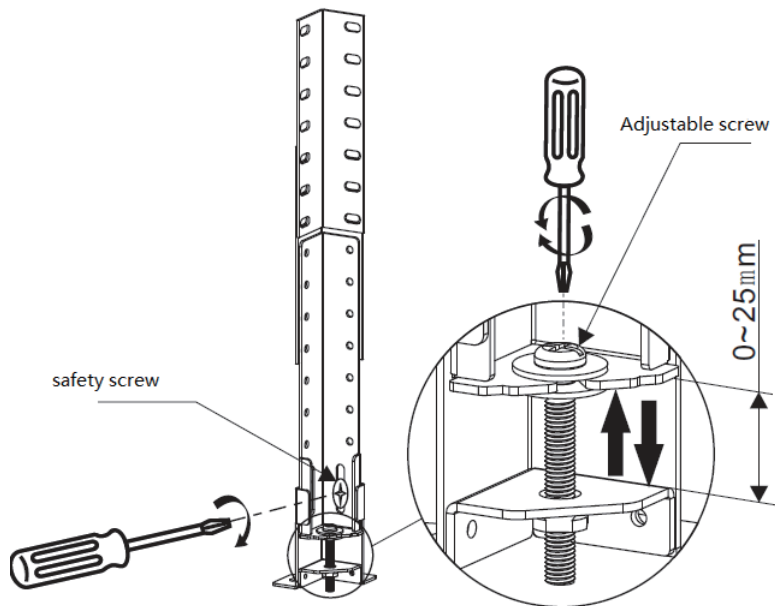


[12] X 8



Lift up the housing, use 8pcs M4*10mm machine silk screw and M4 nut with gasket to fix the housing onto the 2 hanging board, meanwhile, pull the expansion pipe outside.
Note: The expansion pipe must be fixed on the housing firmly.

10



Screwing the safety screw tightly after the level position and height is suitable.

**(A) Information of the cooker Hood**

	Symbol	Value	Unit
Model identification		UBADCH110BK UBADCH110W	
Annual Energy Consumption	AEC_{hood}	62.7	kWh/a
Time increase factor	f	0.8	
Fluid Dynamic Efficiency	FDE_{hood}	34.0	
Energy Efficiency Index	EEl_{hood}	50.1	
Measured air flow rate at best efficiency point	Q_{BEP}	523.3	m ³ /h
Measured air pressure at best efficiency point	P_{BEP}	444	Pa
Maximum air flow	Q_{max}	991.5	m ³ /h
Measured electric power input at best efficiency point	W_{BEP}	189.8	W
Nominal power of the lighting system	W_L	10.0	W
Average illumination of the lighting system on the cooking surface	E_{middle}	109	lux
Measured power consumption in standby mode	P_s	0.67	W
Measured power consumption off mode	P_o	-	W
Sound power level	L_{WA}	Max. 76 / min. 74	dB
Lighting Efficiency	LE_{hood}	10.9	lux/W
Grease Filtering Efficiency	GFE_{hood}	74.6	%
Air flow at min. and max. speed in normal use		Max. 588.5 / min. 160.8	m ³ /h

The measurement and calculation method of the above table was done in accordance with commission regulation (EU) No 65/2014 & 66/2014.

B) The following shows how to reduce total environmental impact (e.g. energy use) of the cooking process.

- (1) Install the cooker hood in a proper place where there is efficient ventilation.
- (2) Clean the cooker hood regularly so as not to block the airway.
- (3) Remember to switch off the cooker hood light after cooking.
- (4) Remember to switch off the cooker hood after cooking.

(C) Information for dismantling.

Do not dismantle the appliance in a way which is not shown in the user manual. The appliance could not be dismantled by user. At the end of life, the appliance should not be disposed of with household waste. Check with you Local Authority or retainer for recycling advice.



Apelson Appliances UK Limited
Unit 3 Normandy Landings
Pope St
Castleford
WF6 2AG
