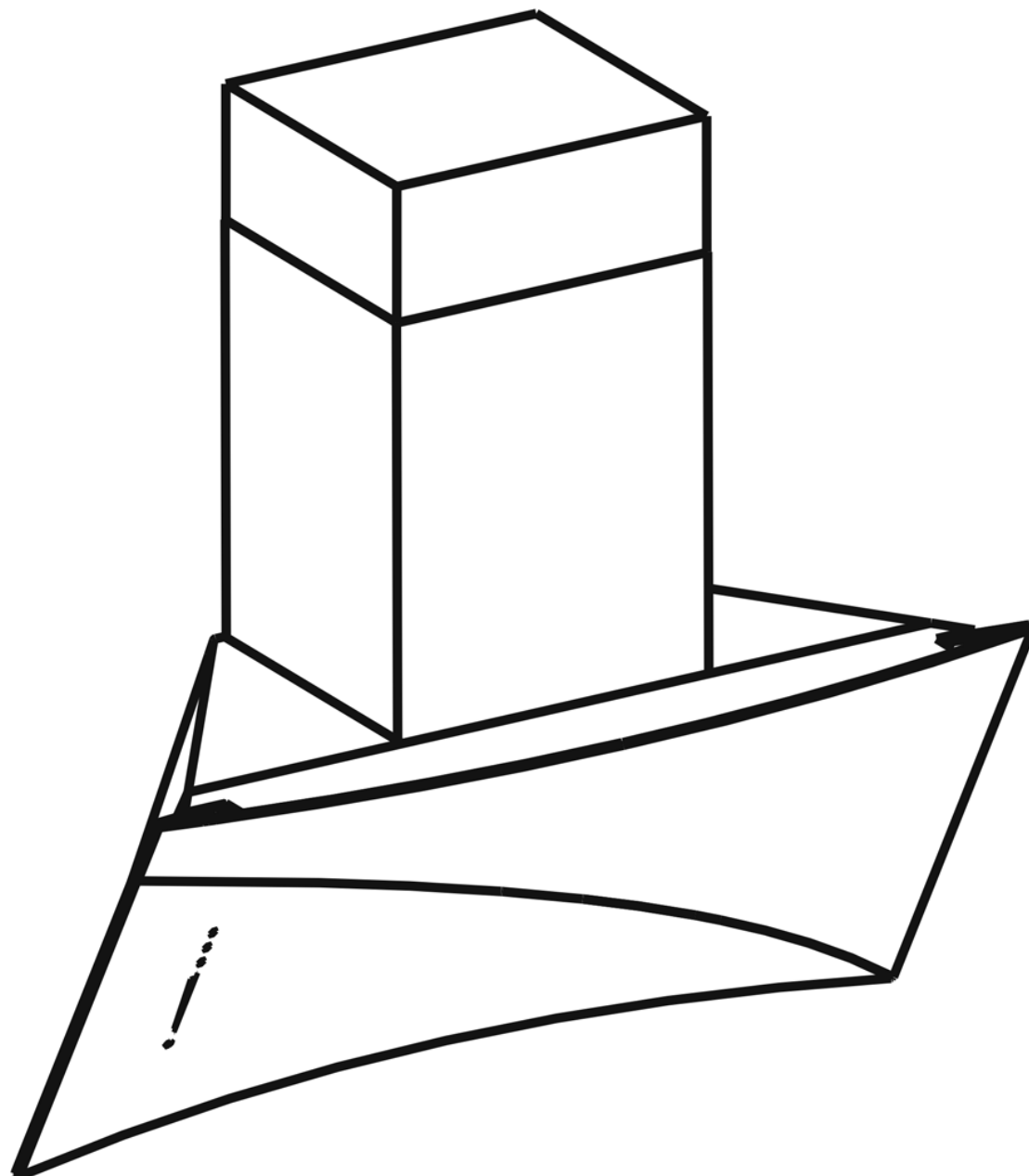


INSTALLATION AND USER'S MANUAL COOKER HOOD

KONVEX



After sales n°: 08448001128
uksupport@cnagroup.uk

TABLE OF CONTENTS

1. Introduction	2
2. Safety precaution	2-3
3. Intended use	3-4
4. Parts supplied	4
5. Installation	4-7
6. Operation	8
7. Maintenance	8
8. Troubleshooting	8
9. Technical data	8
10. Environmental protection	8

1. INTRODUCTION

Thank you for choosing this cooker hood.

This installation and user's manual is designed to provide you with all required instructions related to the installation, use and maintenance of the appliance. In order to operate the appliance correctly and safely, please read this installation and user's manual carefully before installation and usage.

Keep this installation and user's manual for future use. Should this appliance be passed on to a third party, then this installation and user's manual must be included.

No liability will be accepted for damage resulting from improper use or non-compliance with these instructions.

2. SAFETY PRECAUTION



Important! Always switch off the electricity supply at the mains during installation and maintenance such as for light bulb replacement

General

The cooker hood is suitable for domestic use only.

Children

- Please dispose of the packaging material carefully.
- Packaging material can be dangerous to children. **Danger of suffocation!**
- Children should be supervised to ensure that they do not play with the appliance.

Installation

- The cooker hood must be installed in accordance with the installation instructions and all measurements must be followed.
- All installation work must be carried out by a competent person or qualified electrician.
- Do not install above a cooker with a high level grill.

- Make sure the ducting has no bends sharper than 90 degrees as this will reduce the efficiency of the cooker hood.
- Pay attention to the sharp edges inside the cooker hood during installation.

Electrical safety

- Regularly check the power cord for damage. If the supply cord is damaged, it must be replaced by the manufacturer, its service agent or similarly qualified persons in order to avoid a hazard.
- The appliance must be placed in such a way, that the power supply is accessible at all times.
- Before connecting the appliance to the power supply, check that the power supply voltage and current rating corresponds with the power supply details shown on the appliance rating label.
- Never use a damaged appliance! Disconnect the appliance from the wall outlet and contact your supplier if it is damaged.
- Danger of electric shock! Do not attempt to repair the appliance yourself. In case of malfunction, repairs are to be conducted by qualified personnel only.
- To avoid damaging the cord, do not squeeze, bend or chafe it on sharp edges. Keep it away from hot surfaces and open flames as well.
- Lay out the cord in such a way that no unintentional pulling or tripping over it is possible.
- Do not open the appliance casing under any circumstances.
- Do not insert any foreign objects into the inside of the casing.
- Never use accessories which are not recommended by the manufacturer. They could pose a safety risk to the user and might damage the appliance. Only use original parts and accessories.
- Keep the appliance away from any hot surfaces and open flames. Always operate the appliance on a level, stable, clean and dry surface. Protect the appliance against heat, dust, direct sunlight, moisture, dripping and splashing water.
- Do not place heavy objects on top of the appliance. Do not place objects with open flames, e.g. candles, on top of or beside the appliance. Do not place objects filled with water, e.g. vases on or near the appliance.

- This appliance is not intended for use by persons (including children) with reduced physical, sensory, or mental capabilities, or by those who lack experience and knowledge, unless they have been given supervision and instruction concerning the use of the appliance by a person responsible for their safety.

Gas safety

- Always put lids on pots and pans when cooking on a gas cooker.

Operation

Danger of fire!



- Do not flambé under the cooker hood.
- Do not leave frying pans unattended during use because overheated fats or oils might catch fire.
- Never leave naked flames under the cooker hood.
- Only fry underneath the cooker hood when you are in the kitchen.
- Do not use the cooker hood without the grease filters, or if the filters are excessively greasy!



Caution! Accessible parts may become hot when used with cooking appliances.

Exhaust operation

Danger!

- During exhaust operation, the cooker hood removes air from a room. If other fire sources that require the surrounding air for combustion are being operated in the same room, (e.g. gas, oil or coal heaters), the oxygen they require is taken away. Thus flames could be suffocated and gas could leak out or the fumes could be drawn back into the room.
- In order to guarantee a safe operation, there should be non-closable openings in doors, windows or in an air intake wall box to ensure a fresh supply of combustion air. This will prevent the combustion fumes from being drawn back into the room.

- When assessing the measures necessary, always take the entire ventilation system of the house into consideration. In case of doubt, ask your local chimney sweeper for help.
- Never secure the cooker hood to a ventilation duct, or a room or exhaust gas chimney! Do not let the air that is removed from the room be drawn into a duct where warm air is circulating. The extracted air should only be drawn outdoors through a separate ventilating duct that is only for the extractor hood.
- When in extraction mode, air in the room is being removed by the cooker hood. Please make sure that proper ventilation measures are being observed. The cooker hood removes odours from room but not steam.
- There shall be adequate ventilation of the room when the range hood is used at the same time as appliances burning gas or other fuels (not applicable to appliances that only discharge the air back into the room).
- The air must not be discharged into a flue that is used for removing fumes from appliances burning gas or other fuels (not applicable to appliances that only discharge the air back into the room).

Cleaning









- There is a fire risk if cleaning is not carried out in accordance with the instructions.
- Pay attention to the sharp edges inside the cooker hood, especially during cleaning.
- Always disconnect the power supply prior to cleaning the cooker hood. If the switched fused connection unit is difficult to reach, shut off the power supply by using the corresponding circuit breaker at the distribution board.
- Keep the cooker hood clean. Fat deposits could catch on fire when exposed to high temperatures.

3. INTENDED USE

- Your cooker hood can be operated in recirculated air operation or in exhaust operation.

- Recirculated - air: Kitchen fumes are removed and after purification are fed back into the room through the upper air outlet openings. The purification takes place via the grease filters.

4. PARTS SUPPLIED

No.	Part	Qty.
1	Cooker Hood 	1
2	Upper and lower Chimney 	1+1
3	Brackets 	1+1
4	Long Screw (4,5mmx60mm) 	6
6	Medium Screw (3,9mmx32mm) 	4
6	Wall Plug Ø8 	6
7	Wall Plug Ø6 	4
8	Short screw (3,9mmx13mm) 	2

5. INSTALLATION

Important! We recommend that two people carry out the installation. Pay attention to the procedure described in the assembly instructions.

Preparation

- Exhaust operation: The wall breakthrough (core drill hole, min. 155mm) must be carried out by a professional prior to installing the extractor hood.

Pay attention to the length of the exhaust hose when planning the wall breakthrough. The exhaust hose must reach the outer edge of the wall without any kinks.

Important! If the exhaust hose leads through an outer wall, the air outlet on the outside must be equipped with a cover that has self-opening slits (not supplied). This can be installed by the company that performs the wall breakthrough.

If open fireplaces are operated in the same room, ask your local chimney sweeper about the local regulations prior to installation.

If you are renting, then approval must be obtained from the owner of the property.

- **Attention!** In order for the cooker hood to reach optimal performance, mount it over the middle of the cooking area.
- Plan the power connection prior to installation so that a disturbing cable will not be visible afterwards.

- The following accessories are required to mount the cooker hood (not included with the delivery):

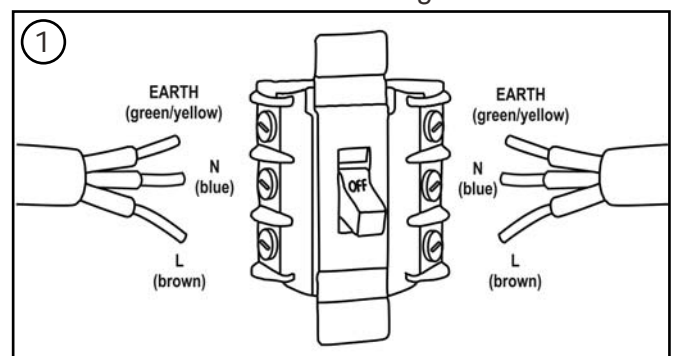
- Exhaust duct
- Power drill
- Screwdriver
- Water level
- Cable detector

Electrical connection

- All fittings must be installed by a qualified electrician in accordance with current IEE Wiring Regulations (BS7671) and local building regulations.
- **Important!** Always switch off the electricity supply at the mains during installation and maintenance. We recommend that the fuse is withdrawn or circuit breaker switched off at the distribution board whilst work is in progress.
- Prior to drilling holes to secure it to the wall, make sure that no cables or pipes will become damaged (electric, gas, water, etc.; test the areas in question with a cable detector).
- This unit is double insulated and must not be earthed. If there are any incoming earth cables, they must be joined and well insulated with good quality insulation tape. This is to ensure earth continuity throughout your property.
- Means for disconnection must be incorporated in the fixed wiring in accordance with the wiring rules. To achieve this install appropriate switched fused connection unit.

Note! A switched fused connection unit having a contact separation of at least 3mm in all poles should be connected in fixed wiring.

- Connect the incoming positive, neutral and earth cables to the terminals of the switched fused connection unit (fig.1). Ensure connections are tight



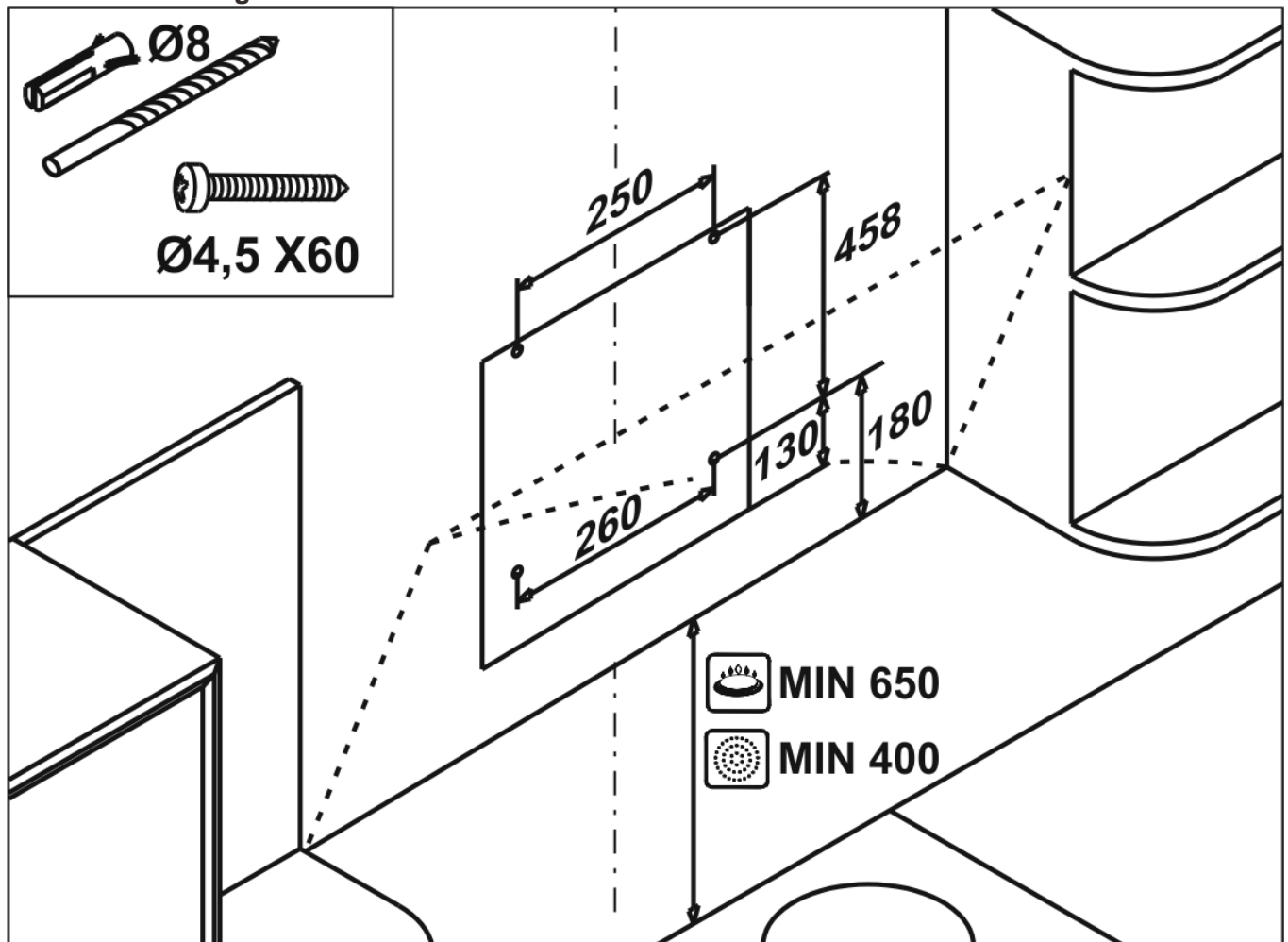
Protective packaging

- The stainless steel surfaces of your new cooker hood are covered with foil to protect them from scratches during transport and the corners of the glass plates have protective caps on them. Remove the protective foil and caps just before permanently securing the cooker hood.
- Also, remove styrofoam and protective wrapping from the motor, inside the appliance.

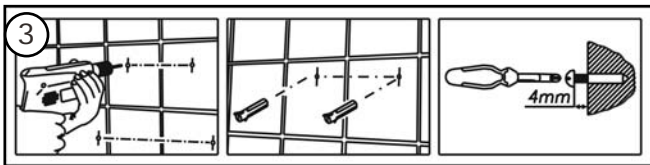
Installation with vent kit (not supplied)

- To use the exhaust operation, a wall breakthrough is required with a diameter of at least 155mm. We recommend that you let a specialist (electrician) perform the wall breakthrough (core drill hole).
- The shorter the vent kit is and the less bends it has, the more efficient the cooker hood will be.
- Official regulations may vary from region to region. In case of doubt, we recommend asking your local chimney sweeper for advice.
- If you have an outlet to the outside, your cooker hood can be connected by means of an extraction duct (enamel, aluminum, flexible pipe or inflammable material with an interior diameter of 150mm).
- The cooker hood should be placed at a distance of 40~80cm above the cooking place for best effect.

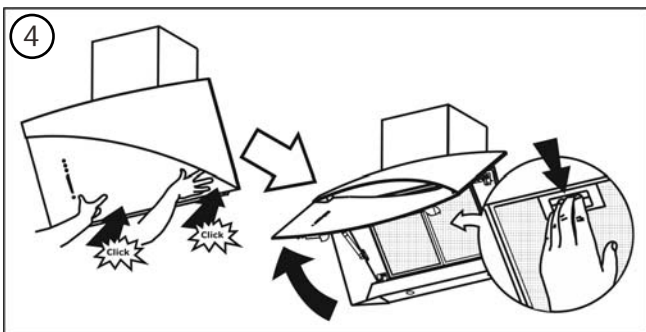
Measurement diagram



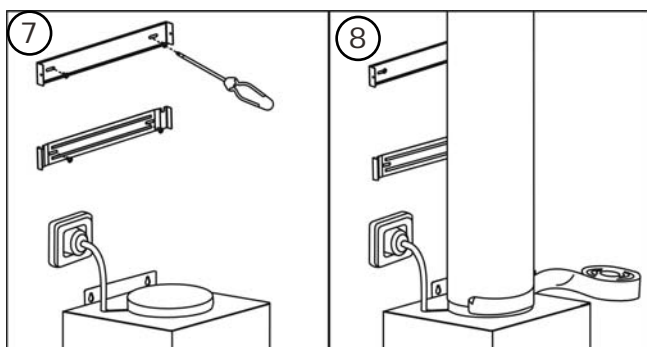
- Using bracket (3) as a templates, mark and drill 6 holes in the wall (fig3). Inset the wall plugs (8) (fig.3).
- Inset 2 long screws(7) to the middle two holes ("*" mark dimension holes). Do not fully insert the screws (7) ; let them protrude out of the wall by about 4mm (fig.3)
- Hang the cooker hood (1) and fit the 2 upper holes to the 2 screws; Inset 2 long screws (7) through the cooker hood into the lower 2 holes & wall plugs (8); Screw and tighten the cooker hood (1) onto the wall.



- To fix the inner screws to the wall, the central glass panel must be disassembled. Follow the instructions below step by step. (Fig. 4)



- Mount bracket (3) on the wall. Secure with the remaining 2 sets of long screws (7) and wall plugs (8)(fig. 7).
- Attach the vent kit. In the example on figure 8, an exhaust pipe of hardened PVC has been used. Optionally, the airtight connection of the vent kit can be improved with duct tape (fig. 8).



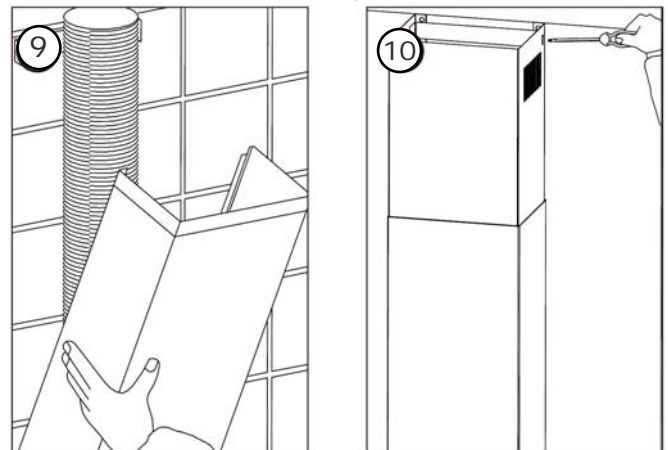
Note: Sometimes, sponge tape covers the holes. If the holes are located behind the sponge tape, simply insert the screw through the sponge tape.



Risk of injury: The chimney skirt may have some sharp edges.



Note: Remember not to fix the screw too tight, so that height adjustment can be done easily later.



- Slide the upper chimney (2) into the lower chimney (2). then pull the upper chimney upwards (fig 9) . Adjust the height of the chimney to approximately the required height. Fix the upper chimney (2) on the bracket (3), and secure on both sides with the 2 short screws (10) (fig. 10).
- Check tight fit of all parts.

Bridging larger distances

- Bridging larger distances to the outdoors can be achieved by installing an external motor inside the exhaust duct. To do this, consult an electrician.

Installation without exhaust duct

- If you do not have an outlet to the outside, the exhaust pipe is not required and the installation is similar to the one shown in the Installation with exhaust duct section.

6. OPERATION

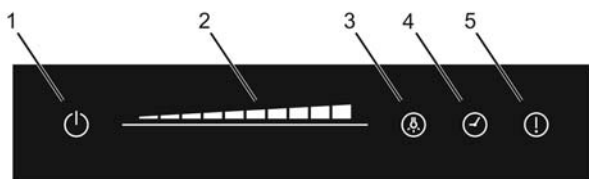
- Switch on the appliance at the switched fused connection unit. The appliance is ready for operation.

Functions

Sliding touch panel


1. Extractor fan on and off.
2. Sliding touch panel for extractor fan speed control. Also used in combination with button -3-.
3. Lighting on and off. Press the button and, while it is flashing, adjust the lighting intensity using the sliding touch panel -2-.
4. Enable and disable extractor fan timer.
5. Filter clean warning display/button. Warning of the need to replace the filter – press to deactivate once the filter has been cleaned or replaced.

Timer: the extractor fan works for 2 min. at the current speed and another 2 min. at each of the lower speeds until it stops and the lighting switches off.



7. MAINTENANCE

- Before cleaning, switch the appliance off and disconnect the cooker hood from power supply.
- Clean the appliance in the following intervals:

Regularly	Use a soft cloth moistened with hand-warm mildly soapy water or household cleaning detergent. Never use metal pads, chemical, abrasive material or stiff brush to clean the appliance.
Monthly	<p>Metallic anti-grease filter: The filter collects grease, smoke and dust so the filter is directly affecting the efficiency of the cooker hood. If not cleaned, the grease residue (potential flammable) will saturate on the filter. Clean it with household cleaning detergent.</p> <p> Important: Clean the filter every month to prevent risk of fire.</p>

- Replace the metallic anti-grease filters and make sure they lock in place.

Light bulb replacement

- This appliance has LED lighting system that must be replaced by technician.

8. TROUBLESHOOTING

Fault	Cause	Solution
Excessive vibration.	The appliance is not hung properly on the brackets.	Take down the appliance and check it is properly fixed.
	The fan blade is damaged.	Switch off the appliance. Repair to be carried out by qualified service personnel only.
	The fan motor is not fixed tightly.	
Light on, but fan does not work.	The fan blade is jammed.	Switch off the appliance. Repair to be carried out by qualified service personnel only.
	The motor is damaged.	
Both light and fan do not work.	Light bulb broken.	Replace with a bulb with correct rating.
	Power connection loose.	Check power supply.
Suction performance not good.	Distance between the appliance and the cooking place too large.	Readjust the distance to: Gas cookers: 70cm Electric cookers: 66cm Coal/oil cookers: 80cm
	Metallic anti-grease filter is dirty.	Clean filters (see Maintenance chapter).

9. TECHNICAL DATA

Power supply:	220-240V~ 50Hz
Power consumption – Fan:	250W
Power consumption – Luminary:	2 x 2,9W Max
Power consumption – Total:	255,8W
Protection class:	I
Light bulb:	Max. 2,9W (LED)

10. ENVIRONMENTAL PROTECTION



Waste electrical products should not be disposed of with household waste. Please recycle where facilities exist. Check with your Local Authority or retailer for recycling advice.

Please retain this sheet for your information

Your 2nd Year Guarantee

Your appliance carries a 24 months parts and labour warranty. To fulfil the conditions of your guarantee, the appliance must be correctly installed and operated, in accordance with the instructions, and only be used for normal domestic purposes.

Please note that the guarantee and service availability only apply to the United Kingdom.

Customer Service

In case of difficulty please call the Customer Service Helpline on our helpline number.

After sales n°: 08448001128
uksupport@cnagroup.uk

When calling customer service, please ensure you have the model and serial number to hand.
Please keep your receipt or invoice in a safe place as they will be required as proof of date of purchase.