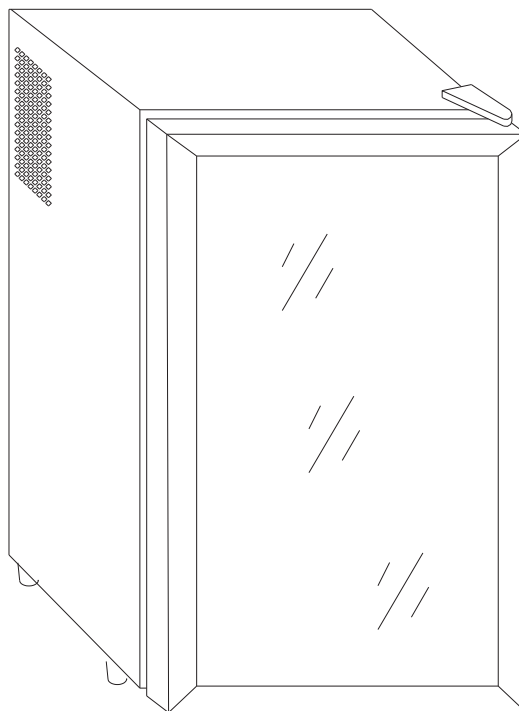


myappliances

Thermoelectric wine cooler

Model No: **ART29607**



Operation Manual

PLEASE READ AND FOLLOW ALL INSTRUCTIONS CAREFULLY BEFORE USE.
FAILURE TO FOLLOW THESE INSTRUCTIONS COULD RESULT IN BODILY INJURY,
AND/OR PROPERTY LOSS.
RETAIN INSTRUCTION MANUAL FOR FUTURE USE.



IMPORTANT: PLEASE READ THIS INSTRUCTION MANUAL BEFORE USING YOUR APPLIANCE.

Index

I. Safety Information.

II. General Safety Precautions.

III. Technical Data.

IV. Illustrated Structure.

V. Electrical Wiring Diagram.

VI. Operation.

VII. Particular Precautions.

VIII. Maintenance.

IX. Troubleshooting.

X. Remark.

I. SAFETY INFORMATION:

Electrical Safety: This appliance **MUST** be grounded to earth. In the event of a malfunction or breakdown, grounding will greatly reduce the risk of electric shock. If you are not sure if the electrical supply is grounded please consult a qualified electrician before connecting the appliance.

Caution: Your wine cooler is designed for storing wine. Do not use it to store food, medicines or for any other storage purpose!

Make sure that you do not overload the shelves of your wine cooler.

Make sure the bottles you intend to store are not too long. Bottles that are too long can cause the door to break if the bottles prevent it closing properly.

Take extra care when removing bottles from the appliance. They can be a coating of moisture on the bottle that can cause it to slippery. Be careful not to drop the bottle.

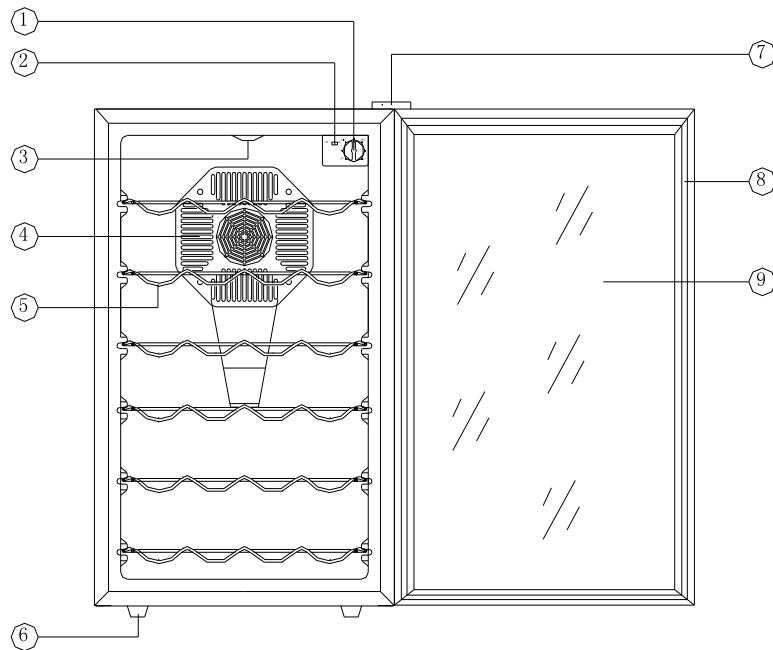
II. GENERAL SAFETY PRECAUTIONS

- After removing the wine cooler from the packaging check and make sure the appliance is in good condition and there is no damage. In case of doubt, please do not use the appliance and contact the authorized service center.
- Plastic bags, nails, screws and all other packaging should be kept out of the reach of children. Please dispose of all packaging carefully.
- Check the packaging and make sure you have all of the parts.
- Choose a suitable location for your product.
- Before using the appliance, read the appliance rating label and check that the electrical requirements correspond to your power supply. If there is any doubt please contact a qualified electrician.
- Children should be supervised to ensure they do not play with the appliance.
- This appliance is not intended for use by persons(including children) with reduced physical, sensory or mental capabilities, or by those who lack experience and knowledge, unless they have been given supervision and instruction concerning the use of appliance by a person responsible for their safety.
- This appliance is for domestic use only!
- This appliance is designed for the storage of wine. It **MUST NOT** be used for the storage of food, medicines or any other products!
- Before cleaning always unplug the appliance from the mains supply.
- Do not use abrasive cleaning products as they can damage the surface of the appliance. Never use industrial cleaners such as acids, gasoline, oil based, medical cleaners or any other substance that could damage your product.
- A steam cleaner should never be used to clean the appliance.
- Check the power cord regularly for signs of damage. If you discover any damage the power cord should be replaced by a qualified electrician or an approved service engineer to avoid an electrical hazard.
- Repairs should only be made by an **authorized** service engineer using genuine replacement spares. Repairs by non-**authorized** engineers could invalidate your manufacturers' warranty.
- This appliance is freestanding only and should not be built in. Connection to the electrical supply should never be made using an extension cord.

III. TECHNICAL DATA

Type		UBWC450
Volume (liter)		70L
Material	Case	Iron
	Door	Glass
Unit Dimension (W×H×D)(mm)		450*725*520
Packaging Dimension (W×H×D)(mm)		495*760*570
Net Weight (Kg)		20.3
Gross Weight (Kg)		23.3
Power Consumption (KW·h/24h)		1.2 (15 °C)
Fitting ambient temperature range of working		<30 °C
Temperature Range		12—18°C (±1°C)
Rated Voltage		220V-240VAC
Rated Frequency		50HZ
Input power		70W

IV. ILLUSTRATED STRUCTURE



1. Temperature Control Knob

3. Light

5. Shelf

7. Upper Hinge Cover

9. Glass Door

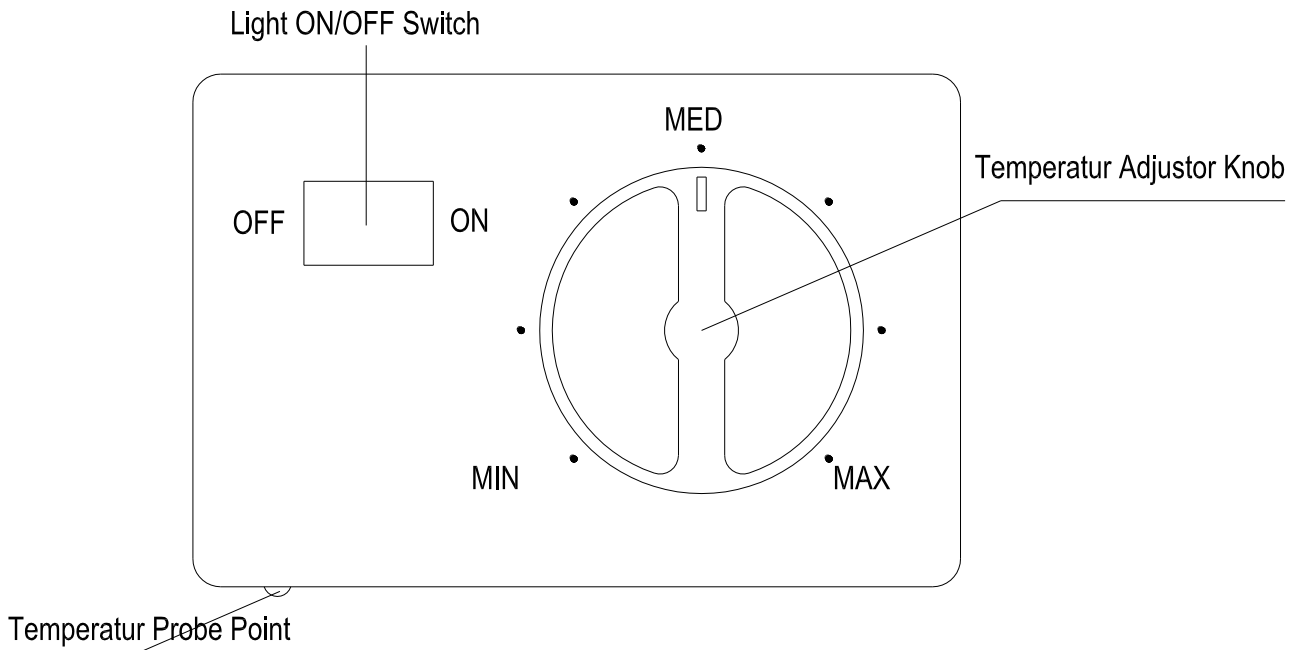
2. Interior Light Switch

4. Cold Sink Fan Cover

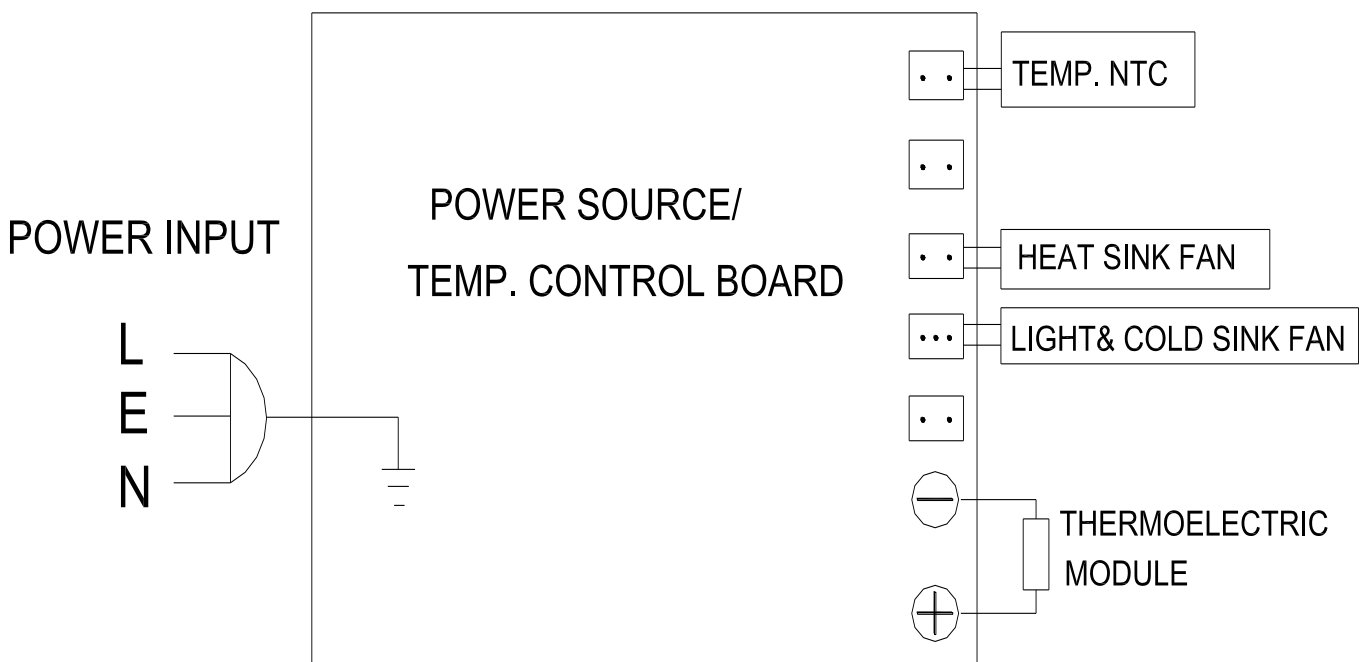
6. Legs

8. Door Seal

Temperature Control



V. ELECTRIC WIRING DIAGRAM



VI. OPERATION OF WINE COOLER

- The inside temperature of the thermoelectric wine cooler depends on the room temperature. The wine cooler can be adjusted in the range of 12°C—18°C ($\pm 1^\circ\text{C}$), when it is located in an ideal room temperature of 25°C.
- When the power is connected, cooling system starts to work.
- When use for the first time (or not use for a long time), you should adjust the temperature to minimum and have the cabinet empty running for 2 hours, and then adjust to the desired temperature.

- When the power is connected, cooling system starts to work. The TEMP-ADJ knob (thermostat) is set on certain position, which means that if the temperature in the wine cooler reaches the point set, Self-control Temperature System stops cooling system so the temperature in the cabinet rises gradually.
- When the inside temperature rises above the set point, Cooling Self-control Temperature starts to work again, the wine cooler enter into cooling circles.
- When you want to change the temperature in the cabinet, You can make use of the temperature setting knob to set the temperature. The temperature range is 12°C—18°C (±1°C), after the temperature is set on one certain point and when the temperature inside reaches this point, the automatic temperature control system begin to work.
- The Light can be turned OFF or ON by push “Light ON/OFF Switch”.

VII. PARTICULAR PRECAUTIONS

- In order to function at its potential, this wine cooler needs to be placed on flat floor, with 2cm spaces at each side and 10cm at the backside.
- Once the appliance is located use the adjustable feet to make sure it is level.
- Do not locate the appliance in direct sunshine or next to other heat sources.
- Do not place heavy articles on the top of the cellar.

VIII.MAINTENANCE

- Shut off power supply before cleaning cabinet.
- Take out wines and shelves, and then clean the cabinet with soda water first and with clean water last.
- Do not use soap or detergent for the cabinet.
- Clean the cellar regularly.

IX. TROUBLESHOOTING

Symptoms	Possible cause	Solutions
No cooling	<ul style="list-style-type: none"> ● Plug not put in ● Low voltage ● Fuse broken 	<ul style="list-style-type: none"> ● Put in the plug ● Ensure normal voltage ● Change fuse
Not cold enough temperature inside	<ul style="list-style-type: none"> ● The wine cooler is placed too near heat source; ● Bad ventilation; ● Fans don't work; ● The door is not closed tightly or opened too frequently or for too long time; 	<ul style="list-style-type: none"> ● Keep the wine cooler away from sunshine or other heat source; ● Place the wine cooler in the area with good ventilation and keep things away from the fans; ● Check whether the plug is connected or change the fan; ● Close the door tightly and don't open the door too frequently or for too long time.
Inside light flash	<ul style="list-style-type: none"> ● Set temperature higher than inner temperature; ● The automatic defrost function start to work 	<ul style="list-style-type: none"> ● Adjust the adjustor ● Normal function. No repair needed
Frost on the cold sink	<ul style="list-style-type: none"> ● Too much humidity or too low temperature inside the case 	<ul style="list-style-type: none"> ● Output the plug, stop the power, and defrost by hand, Connect power again when the ice thaws

X. Remark (special explanation)

◆ the thermoelectric cooling refrigerating appliance is belong to the category 10 for Household refrigerating appliances categories (other refrigerating appliance) according to OJ No 643/2009;

◆ 'other compartment' means a compartment, other than a wine storage compartment, intended for the storage of particular foodstuffs at a temperature warmer than + 14 °C; but the particular foodstuffs is refer to cabernet, claret or vin rouge.

GUARANTEE

This appliance is covered by a full manufacturer's 2 year parts and 2 year labour guarantee and covers all parts and labour costs associated with the repair of the appliance in a domestic environment. We will repair any defect that arises due to faulty materials or workmanship and use genuine manufacturers parts.

All claims must be supported with the original receipt or other reasonable proof of purchase.

If, during the guarantee period, the appliance becomes irreparable as agreed by the engineer approved by Apelson Appliances UK Ltd then we reserve the right, at our discretion, to exchange the defective product with a replacement appliance at Apelson Appliances UK Ltd sole cost. If the same product is no longer available an alternative will be offered with the same functions as the faulty item.

After an appliance has been repaired or replaced any remaining balance of the Apelson Appliances UK Ltd guarantee will be valid and any further call outs during this prescribed period will be covered by Apelson Appliances UK Ltd on the replacement appliance.

Should any person other than an authorized engineer modify or attempt to repair the appliance then the warranty will be invalid.

The guarantee applies to the UK mainland, Scotland and Ireland but is not transferable between EU countries.

This guarantee is non-transferable to any other person or product.

The guarantee is covered by UK law and is in addition to and does not diminish your legal rights.

EXTENDED PARTS ONLY WARRANTY

As testimony to our commitment to you as a valued customer of Apelson Appliances UK Ltd, we will offer you an additional 3 years parts warranty absolutely free.

If during the extended parts warranty period the

appliance fails and it is considered uneconomical to repair our Customer Service Department will offer you the opportunity to purchase the same or equivalent model at a discounted price.

All parts supplied free of charge under the extended warranty must be fitted by our approved engineers and will be subject to a call out charge to fit the part.

EXCLUSIONS TO THE GUARANTEE

This guarantee does NOT cover:

Appliances that have been damaged or neglected as a result of failure to store, assemble, install, use or care of the products in accordance with the manufacturer's instructions - Apelson Appliances UK Ltd will not accept responsibility under this guarantee if a product is damaged or becomes defective due to, misuse, neglect, wilful or accidental damage or act of god.

Normal wear and tear.

Consumable items such as carbon filters and bulbs.

Claims arising from non-domestic use or commercial environment.

Any gas appliance not fitted by a gas safe qualified installer.

If no fault is found then Apelson Appliances UK Ltd reserves the right to charge for the call out at the going rate of £55.00 plus VAT.

In the course of the service work carried out it may be necessary to remove the built in appliance from its fitted position. If the appliance is glued, grouted or tiled in such a manner that it cannot be removed, it is the responsibility of the customer/installer to remove and reinstall the appliance to facilitate the repair.

This Guarantee does not affect your statutory rights.

This guarantee is offered by Apelson Appliances UK Ltd
Unit 3 Normandy Landings, Pope Street, Castleford, WF6
2AG

Customer Service

To arrange an in guarantee service call, please contact customer services on the following numbers.

UK and N.Ireland – myappliances Customer Care Centre
T: 0344 8001128 E: enquiries@myappliances.co.uk
www.myspareparts.co.uk

Republic of Ireland (ROI) – myappliances Customer Care Centre
T: 1-800 535542 E: enquiries@myappliances.co.uk

In more detail...



MYAPPLIANCES
Unit 3 Normandy Landings,
3 Pope Street
NORMANTON
West Yorkshire
WF6 2AG
