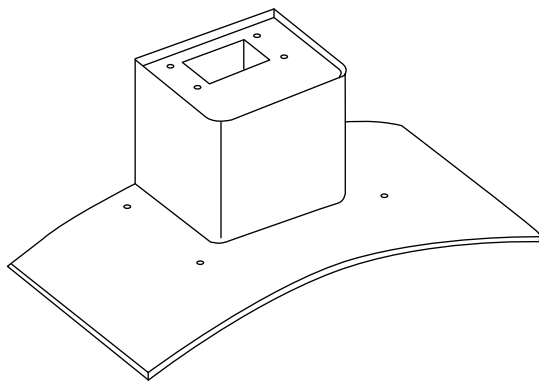


myappliances

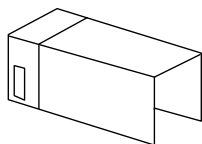
60/ 70/ 90 100cm SS/ BK



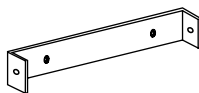
GB IE



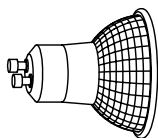
[01] x 1



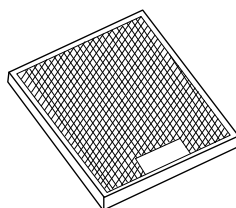
[02] x 1



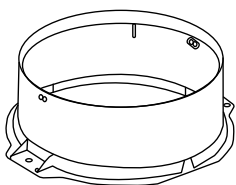
[03] x 1



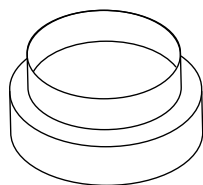
[04] x 2



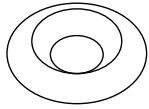
[05] x 1



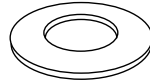
[06] x 1



[07] x 1



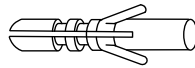
[08] x 4



[09] x 4



[10] x 1



[11] x 6

1 : 1

[12] x 4



[13] x 6
(3.9 x 32mm)



[14] x 4
(3.4 x 10mm)



60/ 70/ 90 100cm SS/ BK

GB **IE** Curved Glass Cooker Hood

05

Installation

23

Let's get started...



Getting started...

Before you start
Safety

06
07
09



In more detail...

Product functions
Operation
Care and maintenance
Troubleshooting
Recycling and disposal
Technical and legal information
Guarantee

11
12
12
13
16
17
17
20



Appendix

Installation

23

Getting Started...

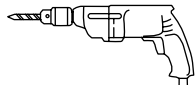


Before you start	07
Safety	09

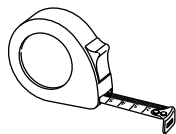
Before you start

- To avoid the risks that are always present when you use an electrical appliance it is important that this appliance is installed correctly and that you read the safety instructions carefully to avoid misuse and hazards. Please keep this instruction booklet for future reference and pass it on to any future owners. After unpacking the appliance please check that it is not damaged. If in doubt, do not use the appliance but contact Customer Services on 0344 800 1128 (UK), 01 4475261 (Ireland)
- Check the package and make sure you have all of the parts listed.
- Decide on the appropriate location for your product.
- If this product contains glass please take care when fitting or handling to prevent personal injury or damage to the product.
- The specifications plate is available on this appliance. This plate displays all the necessary identification information for ordering replacement parts.
- If you sell the appliance, give it away, or leave it behind when you move house, make sure you also pass on this manual so that the new owner can become familiar with the appliance and its safety warnings.

Tools required

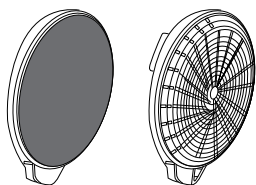


Ø6mm



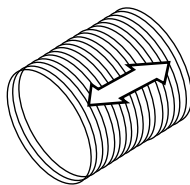
Accessories not supplied

Recirculation



CARBFILT4 (UK & IE)

Extraction



Ø125mm or Ø150mm
VENT PACK 2 (UK & IE)



SELF ADHESIVE
ALUMINIUM TAPE

These instructions are for your safety. Please read through them thoroughly prior to installation and retain them for future reference.



- All installation work must be carried out by a competent person or qualified electrician.
- This appliance must be installed correctly by a suitably qualified person, strictly following the manufacturer's instructions.

- This appliance complies with all current European safety legislation, however, the Manufacturer must emphasise that this compliance does not prevent the surfaces of the appliance from heating up during use and remaining hot during its operation.
- Accessible parts may become hot during use. Young children should be kept away. Care should be taken to avoid touching the appliance (e.g hob, cooker).
- The Manufacturer highly recommends that this appliance be kept out of the reach of babies and small children.
- Children should be supervised to ensure that they do not play with the appliance.
- This appliance is not intended for use by persons (including children) with reduced physical sensory, or mental capabilities, or by those who lack experience and knowledge, unless they have been given supervision and instruction concerning the use of the appliance by a person responsible for their safety.
- Means for disconnection must be incorporated in the fixed wiring in accordance with the wiring rules. An all-pole disconnection switch having a contact separation of at least 3 mm in all poles should be connected in fixed wiring.
- Do not allow the electric cables to touch the hot parts of the appliance.
- Make sure that the power cord is not caught under or in the appliance and avoid damage to the power cable.
- Do not install the appliance outdoors in a damp place or in an area which may be prone to water leaks such as under or near a sink unit. In the event of a water leak allow the machine to dry naturally.
- Please dispose of the packing material carefully.
- Do not use flammable sprays in close vicinity to the appliance.

- We also recommend that great care be taken during use and cleaning. Read the cleaning and maintenance sections for this appliance carefully.
- A steam cleaner is not to be used.
- The appliance is not intended to be operated by means of external timer or separated remote-control system.
- The appliance is for domestic use only.
- Warning:** consult local regulations regarding fumes outlets.
Do not connect the hood to a fume, ventilation or hot air duct.
Confirm that room ventilation is appropriate with the local authorities.
Make sure the maximum air extraction flow rate for the appliances in the room does not exceed 4 Pa (0.04 mbar).
The room must have adequate ventilation if an extractor hood is used simultaneously with appliances that run on gas or other fuels.
The air must not be discharged into a flue that is used for exhausting fumes from appliances burning gas or other fuels.
Regulations regarding air extraction must be complied with.
- Warning:** before connecting the hood: switch off the electricity supply and check that the supplied voltage and frequency coincide with that indicated on the appliance nameplate.
- Warning:** the hood may stop working during an electrostatic discharge (e.g. lightning). This involves no risk of damage. Switch off the electricity supply to the hood and reconnect after one minute.
- To avoid the risk of fire, clean the metal filter regularly and closely watch and regulate pans containing hot oil.
- Do not use the hood if it shows signs of damage or imperfection. Contact customer services.
- Flambe cooking must not be carried out underneath this appliance.
- When installing the appliance, make sure that the following distances between the top of cooker or hob and the lowest part of the cooker hood must be observed:
 - > Gas hobs: 750mm
 - > Electric hobs: 650mm

The Manufacturer declines all liability for personal or material damage as a result of misuse or incorrect installation of this appliance.

WARNING: There is a fire risk if cleaning is not carried out in accordance with the instructions



In more detail...

Product functions	12
Operation	12
Care and maintenance	13
Troubleshooting	16
Recycling and disposal	17
Technical and legal information	17
Guarantee	20
CE Declaration of conformity	22

Product functions

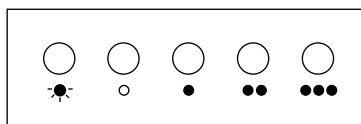
This appliance extracts the air of the kitchen to remove the odours and keep an optimum level of the air quality inside the room, it also allows you to illuminate the cooking area.

Operation

Operation

- Switch on the appliance at the switched fused connection unit. The appliance is ready for operation functions.

Five-button panel



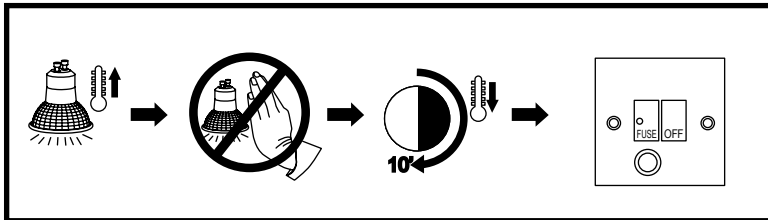
- Lighting on and off.
- Extractor fan off.
- Extractor fan speed - button: speed 1
- Extractor fan speed - button: speed 2
- Extractor fan speed - button: speed 3

To obtain the best results from your cooker hood it is recommended that you leave it switched on for 15 minutes after you have finished cooking.

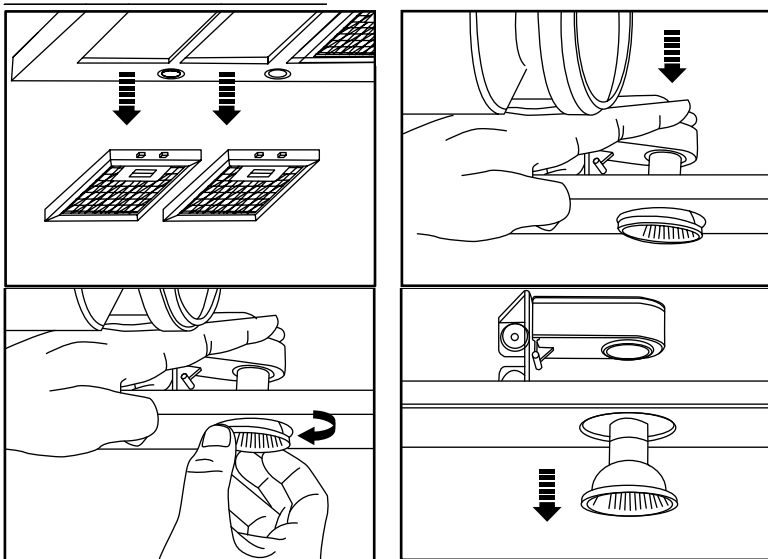
Care and maintenance

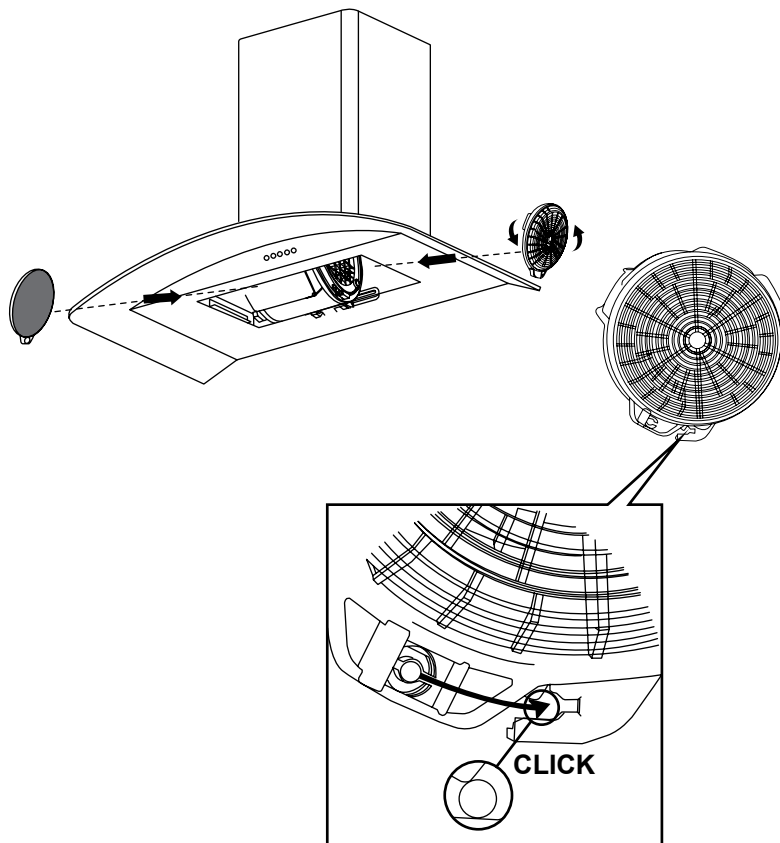
Warning: always switch off the electricity supply before carrying out maintenance work on the hood. In the event of a fault, contact customer services.

Bulb replacement



The Bulb may be hot, leave it 10 minutes before removing it.

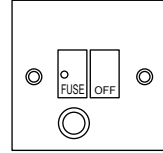


Active charcoal filter replacement:

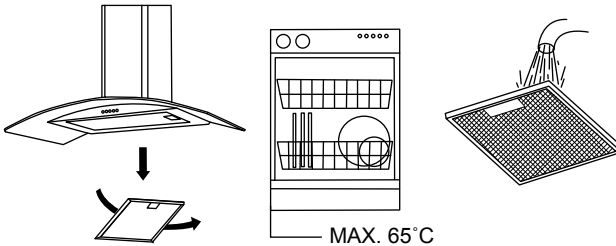
2 X ACTIVE CHARCOAL FILTER (NOT SUPPLIED).
MODEL NUMBER CARBFILT4 (UK & IE).

**Warning**

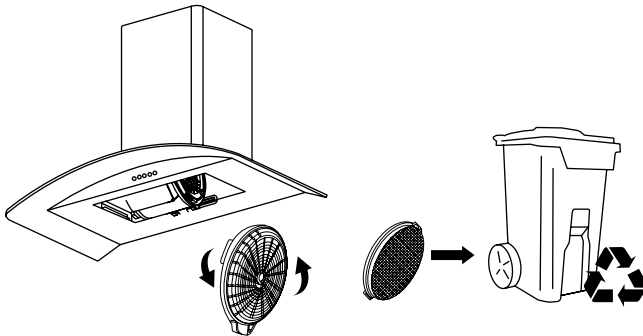
Always switch off the electricity supply before performing maintenance work. In the event of a fault, contact customer services.

**Metal filter replacement:**

Exterior cleaning: use non-corrosive, liquid detergent and avoid the use of abrasive cleaning products.

1 MONTH

Aluminium filters: to avoid fires, clean thoroughly once a month. To do so, remove the filters and wash with hot water and detergent. If using a dishwasher, position the filters vertically to improve the cleaning process.

**3 MONTH**

Active charcoal filters: replace every 3 months.

Important: increase the filter cleaning/replacement frequency if the hood is used for more than 2 hours a day. Always use genuine filters from the manufacturer.

Troubleshooting

Fault	Cause	Solution
Excessive Vibration	The Appliance is not hung properly on the brackets.	Take down the appliance and check it is properly fixed.
	The fan blade is damaged.	Switch off the appliance. Repair to be carried out by qualified service personnel only.
	The fan motor is not fixed tightly.	
Light on, but motor does not work.	The fan blade is jammed.	
	The motor is damaged.	
Both light and motor do not work.	Light bulb blown.	Replace with a bulb with correct rating.
	Power connection loose.	Check power supply.
Suction performance reduced.	Speed may be too low.	Select a higher speed.
	Distance between the cooker hood and the hob is too great.	Readjust the distance to: Gas hobs: 750mm Electric hobs: 650mm
	Aluminium grease filter is dirty.	Clean filters. (see care and maintenance)
	Top vent might be obstructed. (VHB60SS & VH60W)	Clear any obstruction.
	Optional vent kit might be twisted.	Ensure that the vent kit is fitted to the manufacturers instructions.
Works normally but cooking smells linger.	Charcoal filter not fitted in recirculation mode or charcoal filter is full of grease.	Fit charcoal filter if recirculating or change the filter. (see care and maintenance)

Recycling and disposal

Environmental protection

Waste electrical products should not be disposed of with household waste. Please recycle where facilities exist. Check with your Local Authority or retailer for recycling advice.



The symbol on the product or its packaging indicates that this product cannot be treated as normal household waste. This product must be handed over to an electric and electronic equipment collection point for recycling.

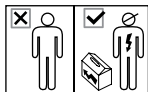
On ensuring that this product is disposed of correctly, you will help to avoid possible negative consequences for the environment and public health, which could occur if this product is not handled correctly. To receive more detailed information about recycling this product, contact your local government, domestic waste disposal services or the outlet where the product was bought.

Technical and legal information

Technical and legal information

The Manufacturer declines all liability for damage caused to persons and objects due to incorrect or improper installation of the appliance.

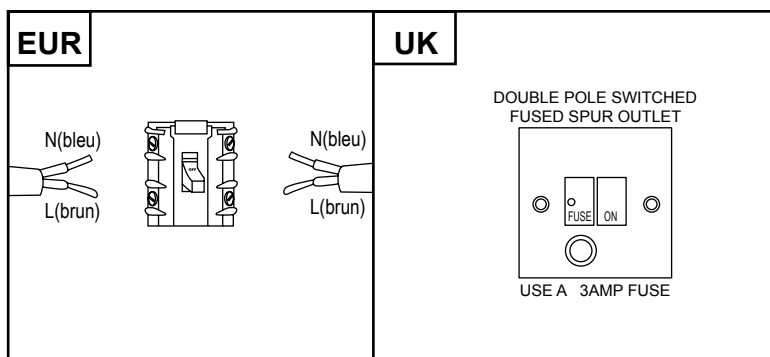
Power supply	:	220-240V~ 50Hz
Power consumption – Fan	:	95W
Power consumption – Luminary	:	2 x 50W Max
Power consumption – Total	:	195W
Protection class	:	II
Light bulb	:	Max. 50W (GU10)



All installation work must be carried out by a competent person or qualified electrician. Before connecting the mains supply ensure that the mains voltage corresponds to the voltage on the rating plate inside the cooker hood.

Warning: THIS APPLIANCE MUST NOT BE EARTHED.

Mains Supply could be connected to the Mains Voltage by Direct Connection



Direct Connection

If the appliance is being connected directly to the mains an omnipolar circuit-breaker must be installed with a minimum opening of 3mm between contacts.

If the supply cord is damaged, it must be replaced by the manufacturer, its service agent or similarly qualified persons in order to avoid a hazard.

The installer must ensure that the correct electrical connection has been made and that it complies with wiring diagram.

The cable must not be bent or compressed.

The cable must be checked regularly and replaced by authorized technicians only.

Electrical Requirements

Any permanent electrical installation must comply with the latest I.E.E. Regulations and local electricity company regulations. For your own safety a qualified electrician or contractor who is on the roll of the National Inspection Council for Electrical Installation Contracting (NICEIC) should undertake the electrical installation.

Electrical Connection

Before connecting the mains supply ensure that the mains voltage corresponds to the voltage on the rating plate inside the cooker hood.

WARNING: THIS APPLIANCE MUST NOT BE EARTHED

The appliance is supplied with a 2-core mains cable and must be connected to the electricity supply via a double pole switch having a 3mm minimum contact gap on each connector.

For UK only
A Switched Fused Connection Unit to BS 1363 Part 4 is recommended.

The fuse must be rated at 3 Amps.

The wires in the mains lead are coloured in accordance with the following code:

Brown = L - Live

Blue = N - Neutral

The connection point must be placed in a position adjacent to the appliance so as to be readily accessible for an engineer in the event of a breakdown.

Disconnect the appliance from the mains supply before carrying out any kind of maintenance or cleaning.

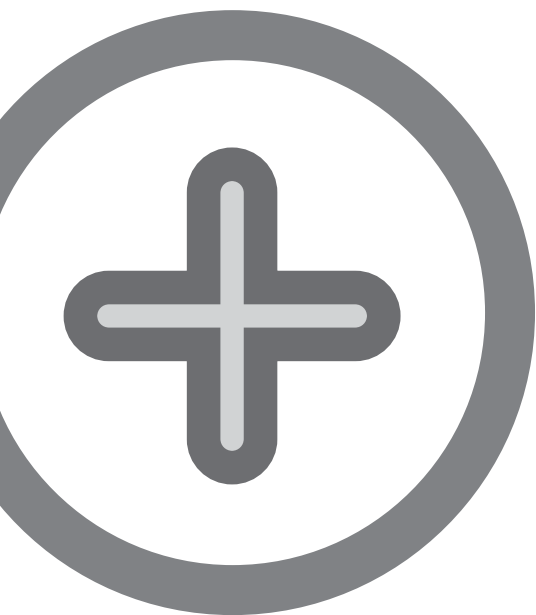
Customer Service

To arrange an in guarantee service call, please contact customer services on the following numbers.

UK and N.Ireland – myappliances Customer Care Centre
T: 0344 8001128 E: enquiries@myappliances.co.uk
www.myspareparts.co.uk

Republic of Ireland (ROI) – myappliances Customer Care Centre
T: 1-800 535542 E: enquiries@myappliances.co.uk

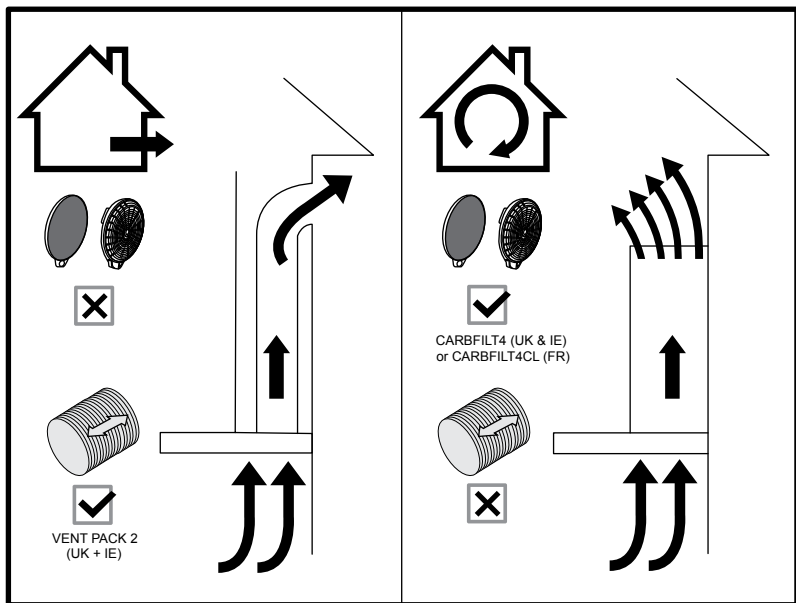
In more detail...



Appendix...

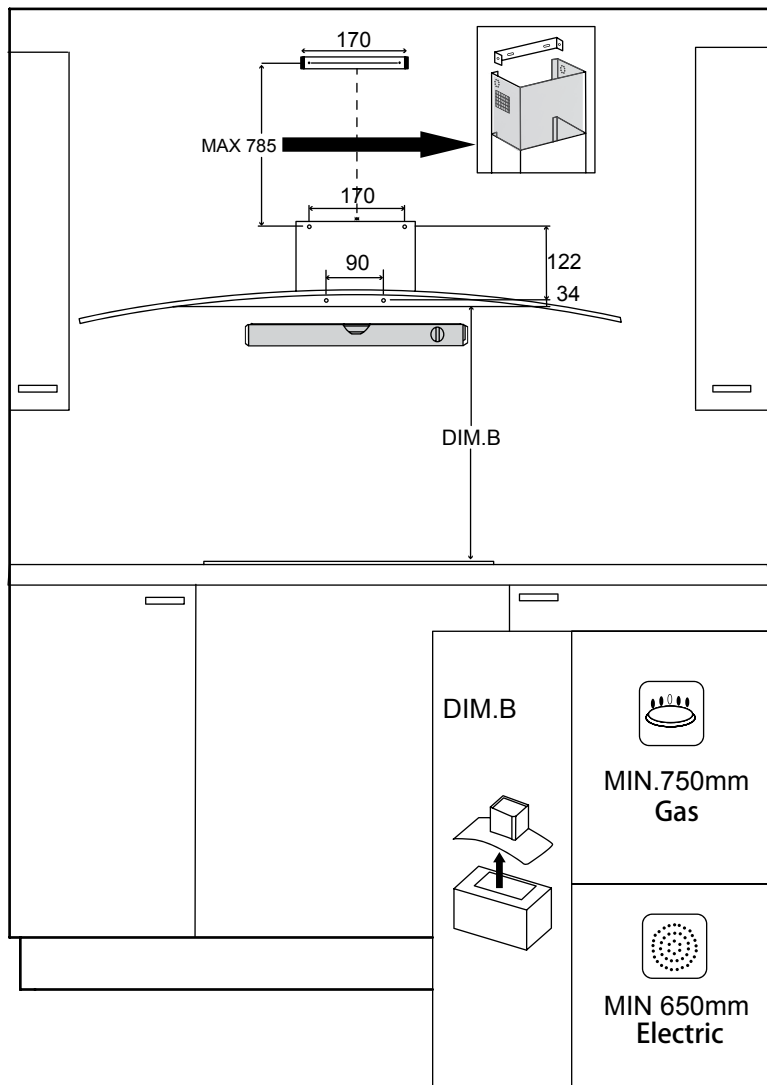
Installation

01



You can choose two type of installation:

- Ducted option
- Recirculation option



Mark on the kitchen wall the holes to fix the cooker hood.



The Wall Plugs supplied are suitable for solid walls only. When fixing to any other type of wall use suitable alternative fixings.

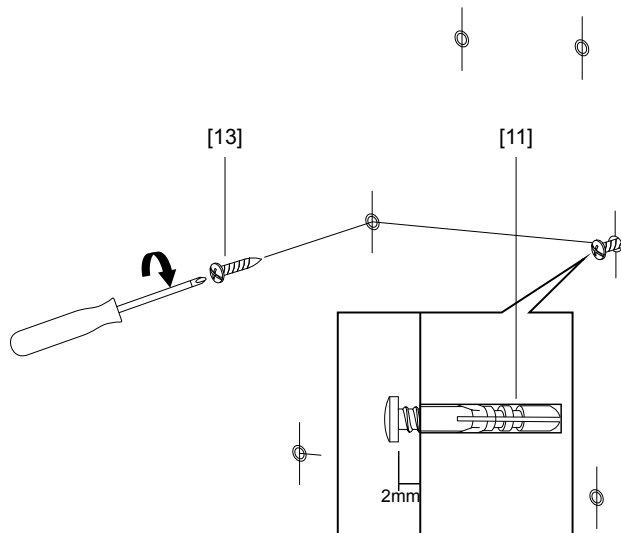
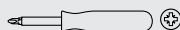
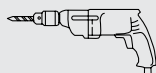
03



[11] x 6

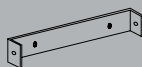


[13] x 2



Drill the holes, insert the wall plugs in all 6 holes. Insert the screws in the middle 2 holes in fig.03. Maximum gap between top 2 holes and middle 2 holes can be no more than 785mm, dependant on ceiling height

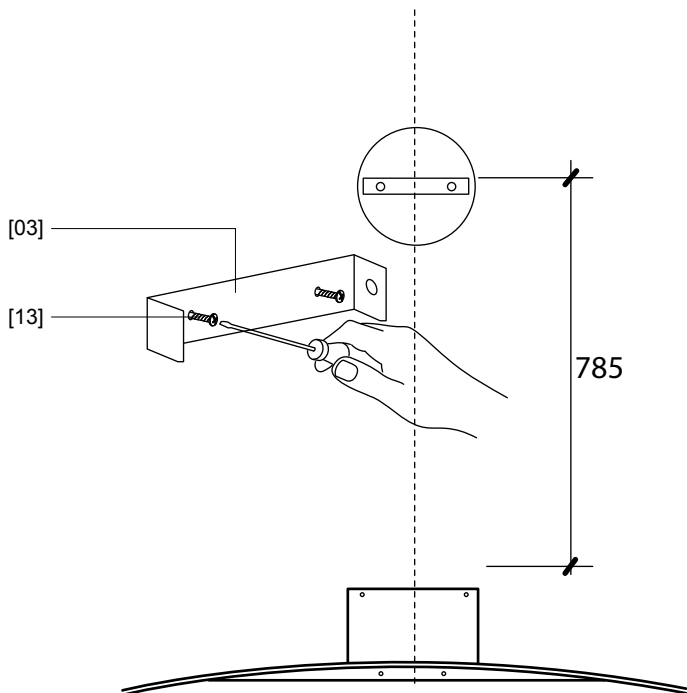
04



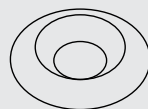
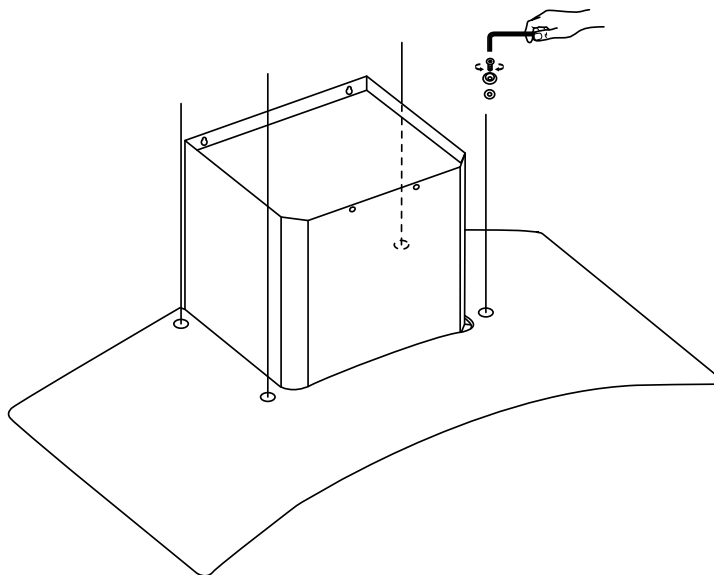
[03]



[13] x 2



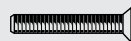
05



[08] x 4



[09] x 4



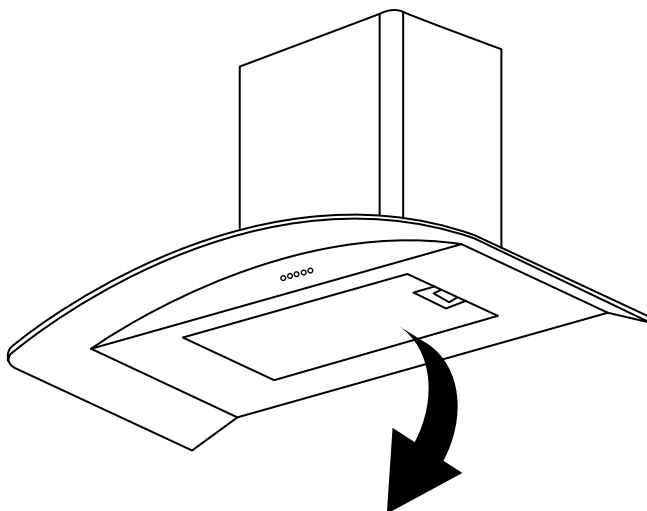
[12] x 4



[10]

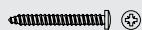
WARNING: Do not over tighten the screws

06

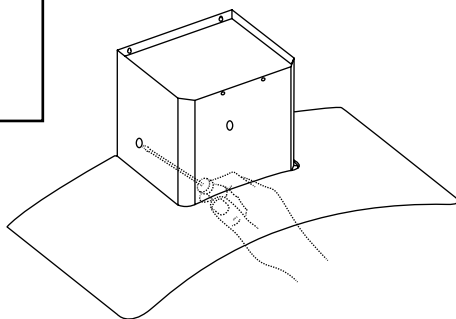
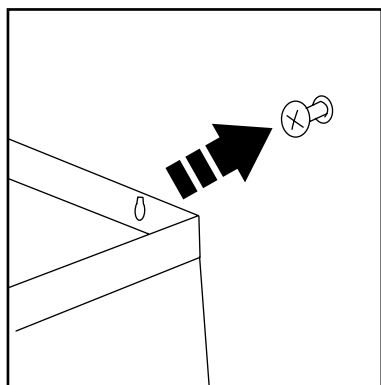
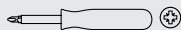


Remove the aluminium Filter

07

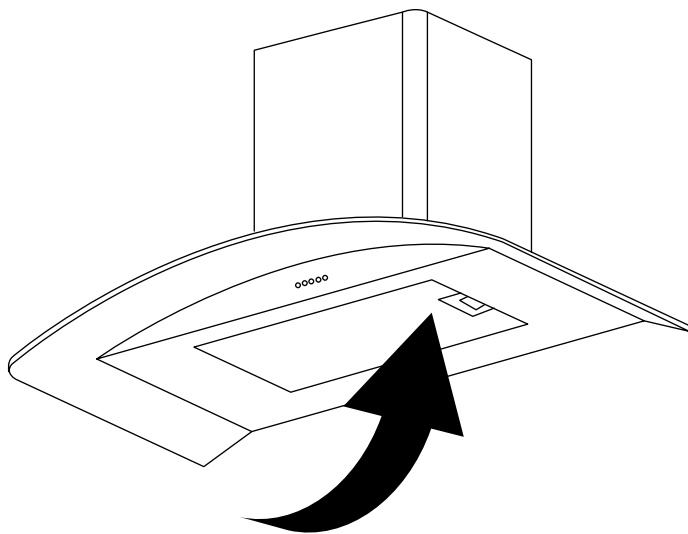


[13] x 2

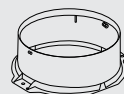
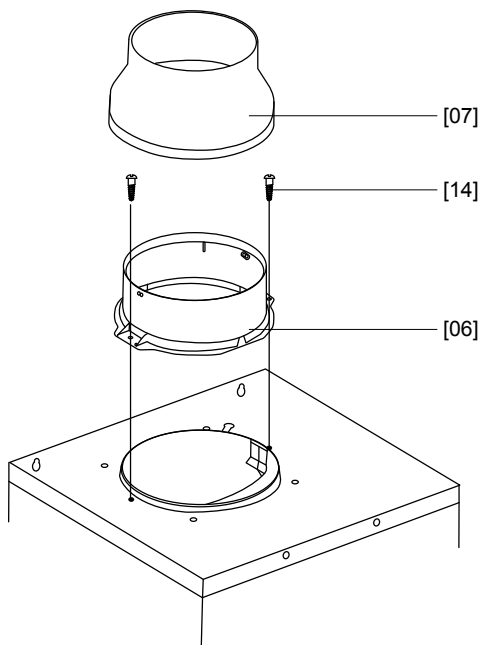


Position the hood over the top two screw then fix the bottom screws from inside the hood.

08



Replace the aluminium Filter



[06]

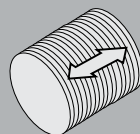
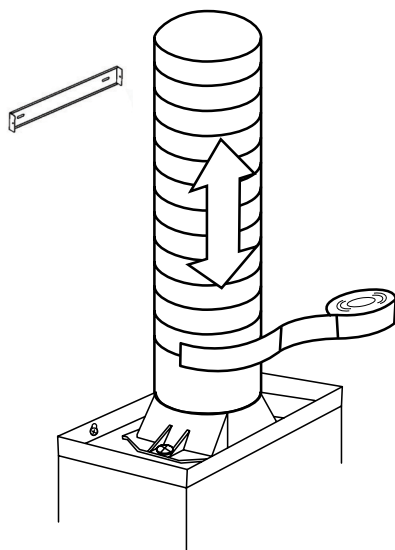


[07]

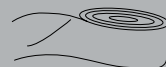


[14] x 2

Fix the Collar and the reducer if required..

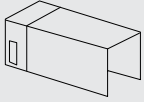


Vent Pack 2
(UK + IE)
x 1

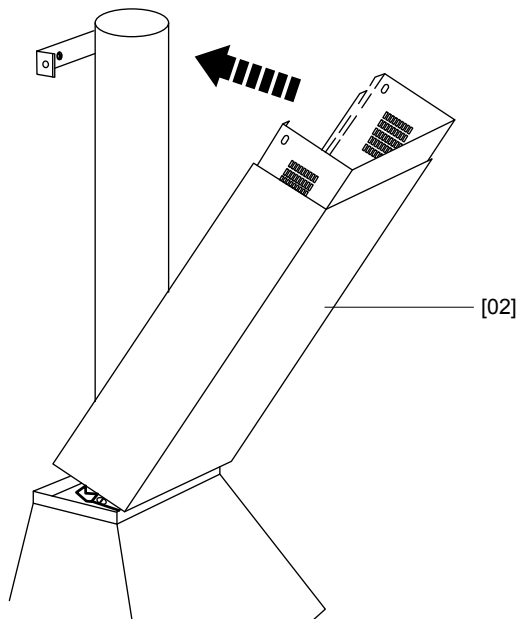


Fix the Ducting Tube 125 or 150 using tape or clamp.

11



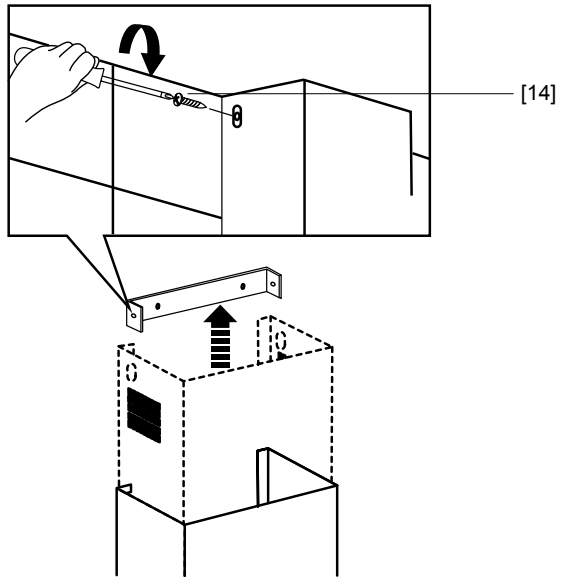
[02] x 1

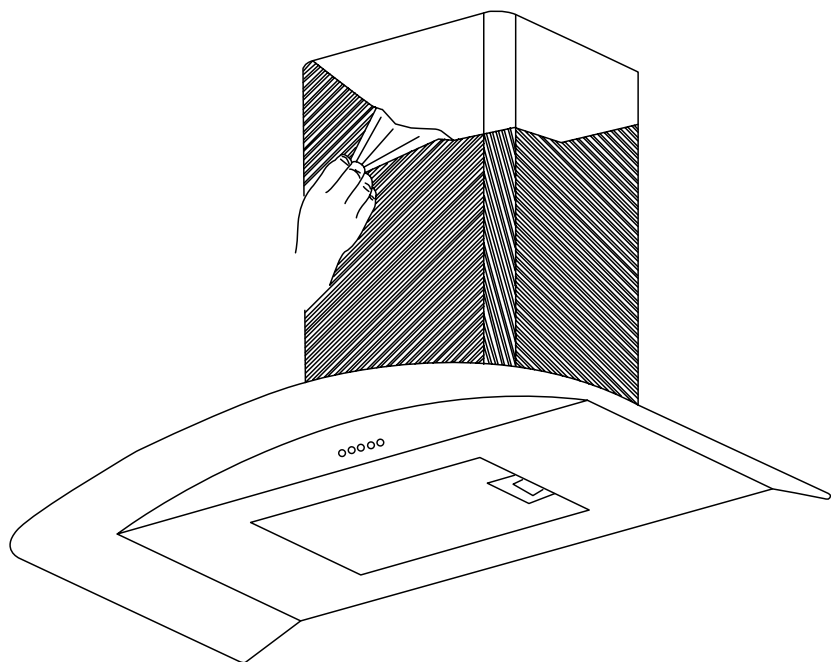


12



[14] x 2





Remove the Protector film

For recirculating option refer to **Care and maintenance** section.

Note: For electrical connection see **Technical and legal information** section.



MYAPPLIANCES
Unit 3 Normandy Landings,
3 Pope Street
NORMANTON
West Yorkshire
WF6 2AG
