

Microwave Oven

INSTRUCTION MANUAL

MODEL: ART28601

Read these instructions carefully before using your microwave oven, and keep it carefully.

If you follow the instructions, your oven will provide you with many years of good service.

SAVE THESE INSTRUCTIONS CAREFULLY

CNA TRADING APPLIANCES

Customer Service

In case of difficulty please call the Customer Service Helpline on our helpline number.

0844 8001128

When calling customer service, please ensure you have the model and serial number to hand.
Please keep your receipt or invoice in a safe place as they will be required as proof of date of purchase.



PRECAUTIONS TO AVOID POSSIBLE EXPOSURE TO EXCESSIVE MICROWAVE ENERGY

- (a) Do not attempt to operate this oven with the door open since this can result in harmful exposure to microwave energy. It is important not to break or tamper with the safety interlocks.
- (b) Do not place any object between the oven front face and the door or allow soil or cleaner residue to accumulate on sealing surfaces.
- (c) **WARNING:** If the door or door seals are damaged, the oven must not be operated until it has been repaired by a competent person.

ADDENDUM

If the apparatus is not maintained in a good state of cleanliness, its surface could be degraded and affect the lifespan of the apparatus and lead to a dangerous situation.

Specifications

Model:	BMC25SS
Rated Voltage:	230V~50Hz
Rated Input Power(Microwave):	1450W
Rated Output Power(Microwave):	900W
Rated Input Power(Grill):	1000W
Rated Input Power(Convection):	2500W
Oven Capacity:	25L
Turntable Diameter:	Ø315mm
External Dimensions(LxWxH):	594x465x388mm
Net Weight:	Approx 23.5 kg

IMPORTANT SAFETY INSTRUCTIONS

WARNING

To reduce the risk of fire, electric shock, injury to persons or exposure to excessive microwave oven energy when using your appliance, follow basic precautions, including the following:

1. Warning: Liquids and other foods must not be heated in sealed containers since they are liable to explode.
2. Warning: It is hazardous for anyone other than a competent person to remove a cover which gives protection against exposure to microwave energy.
3. Warning: Only allow children to use the oven without supervision when adequate instructions have been given so that the child is able to use the oven in a safe way and understand the hazards of improper use.
4. Warning: When the appliance is operated in the combination mode, children should only use the oven under adult supervision due to the temperatures generated. (only for grill series)
5. Only use utensils suitable for use in microwave ovens.
6. The oven should be cleaned regularly and any food deposits should be removed.
7. Read and follow the specific: "PRECAUTIONS TO AVOID POSSIBLE EXPOSURE TO EXCESSIVE MICROWAVE ENERGY".
8. When heating food in plastic or paper containers, keep an eye on the oven due to the possibility of ignition.
9. If smoke is observed, switch off or unplug the appliance and keep the door closed in order to stifle any flames.
10. Do not overcook food.
11. Do not use the oven cavity for storage purposes. Do not store items, such as bread, cookies, etc. inside the oven.
12. Remove wire twist-ties and metal handles from paper or plastic containers/bags before placing them in the oven.
13. Install or locate this oven only in accordance with the installation instructions provided.
14. Eggs in the shell and whole hard-boiled eggs should not be heated in microwave ovens since they may explode, even after microwave heating has ended.
15. Use this appliance only for its intended uses as described in manual. Do not use corrosive chemicals or vapors in this appliance. This oven is especially designed to heat. It is not designed for industrial or laboratory use.
16. If the supply cord is damaged, it must be replaced by the manufacturer, its service agent or similarly qualified persons in order to avoid a hazard.
17. Do not store or use this appliance outdoors.
18. Do not use this oven near water, in a wet basement or near a swimming pool.
19. The temperature of accessible surfaces may be high when the appliance is operating. The surfaces are liable to get hot during use. Keep cord away from heated surface, and do not cover any vents on the oven.
20. Do not let cord hang over edge of table or counter.
21. Failure to maintain the oven in a clean condition could lead to deterioration of the surface that could adversely affect the life of the appliance and possibly result in a hazardous situation.
22. The contents of feeding bottles and baby food jars shall be stirred or shaken and the temperature checked before consumption, in order to avoid burns.

23. Microwave heating of beverages can result in delayed eruptive boiling, therefore take care when handling the container.
24. The appliance is not intended for use by persons (including children) with reduced physical, sensory or mental capabilities, or lack of experience and knowledge, unless they have been given supervision or instruction concerning use of the appliance by a person responsible for their safety.
25. Children should be supervised to ensure that they do not play with the appliance.
26. The microwave oven shall not be placed in a cabinet unless it has been tested in a cabinet.
27. The appliances are not intended to be operated by means of an external timer or separate remote-control system.
28. **WARNING:** Ensure that the appliance is switched off before replacing the lamp to avoid the possibility of electric shock.
29. Accessible parts may become hot during use. Young children should be kept away from the steam cleaner is not to be used.
30. Surface of a storage drawer can get hot.
31. Do not use harsh abrasive cleaners or sharp metal scrapers to clean the oven door glass since they can scratch the surface, which may result in shattering of the glass.
32. During use the appliance becomes hot. Care should be taken to avoid touching heating elements inside the oven.
33. Only use the temperature probe recommended for this oven. (for ovens provided with a facility to use a temperature-sensing probe.)
34. The rear surface of appliance shall be placed against a wall.

To Reduce the Risk of Injury to Persons

Grounding Installation

DANGER

Electric Shock Hazard

Touching some of the internal components can cause serious personal injury or death. Do not disassemble this appliance.

WARNING

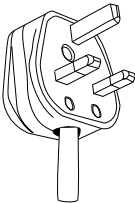
Electric Shock Hazard

Improper use of the grounding can result in electric shock. Do not plug into an outlet until appliance is properly installed and grounded.

CLEANING

Be sure to unplug the appliance from the power supply.

1. Clean the inside of the oven after using with a slightly damp cloth.
2. Clean the accessories in the usual way in soapy water.
3. The door frame and seal and neighbouring parts must be cleaned carefully with a damp cloth when they are dirty.



This appliance must be grounded. In the event of an electrical short circuit, grounding reduces the risk of electric shock by providing an escape wire for the electric current. This appliance is equipped with a cord having a grounding wire with a grounding plug. The plug must be plugged into an outlet that is properly installed and grounded.

Consult a qualified electrician or serviceman if the grounding instructions are not completely understood or if doubt exists as to whether the appliance is properly grounded. If it is necessary to use an extension cord, use only a 3-wire extension cord.

1. A short power-supply cord is provided to reduce the risks resulting from becoming entangled in or tripping over a longer cord.
2. If a long cord set or extension cord is used:
 - 1)The marked electrical rating of the cord set or extension cord should be at least as great as the electrical rating of the appliance.
 - 2)The extension cord must be a grounding-type 3-wire cord.
 - 3)The long cord should be arranged so that it will not drape over the counter top or tabletop where it can be pulled on by children or tripped over unintentionally.

UTENSILS

See the instructions on "Materials you can use in microwave oven or to be avoided in microwave oven."

There may be certain non-metallic utensils that are not safe to use for microwaving. If in doubt, you can test the utensil in question following the procedure below.

CAUTION

Personal Injury Hazard

It is hazardous for anyone other than a competent person to carry out any service or repair operation that involves the removal of a cover which gives protection against exposure to microwave energy.

Utensil Test:

1. Fill a microwave-safe container with 1 cup of cold water (250ml) along with the utensil in question.
2. Cook on maximum power for 1 minute.
3. Carefully feel the utensil. If the empty utensil is warm, do not use it for microwave cooking.
4. Do not exceed 1 minute cooking time.

Materials you can use in microwave oven

Utensils	Remarks
Aluminum foil	Shielding only. Small smooth pieces can be used to cover thin parts of meat or poultry to prevent overcooking. Arcing can occur if foil is too close to oven walls. The foil should be at least 1 inch (2.5cm) away from oven walls.
Browning dish	Follow manufacturer's instructions. The bottom of browning dish must be at least 3/16 inch (5mm) above the turntable. Incorrect usage may cause the turntable to break.
Dinnerware	Microwave-safe only. Follow manufacturer's instructions. Do not use cracked or chipped dishes.
Glass jars	Always remove lid. Use only to heat food until just warm. Most glass jars are not heat resistant and may break.
Glassware	Heat-resistant oven glassware only. Make sure there is no metallic trim. Do not use cracked or chipped dishes.
Oven cooking bags	Follow manufacturer's instructions. Do not close with metal tie. Make slits to allow steam to escape.
Paper plates and cups	Use for short-term cooking/warming only. Do not leave oven unattended while cooking.
Paper towels	Use to cover food for reheating and absorbing fat. Use with supervision for a short-term cooking only.
Parchment paper	Use as a cover to prevent splattering or a wrap for steaming.
Plastic	Microwave-safe only. Follow the manufacturer's instructions. Should be labeled "Microwave Safe". Some plastic containers soften, as the food inside gets hot. "Boiling bags" and tightly closed plastic bags should be slit, pierced or vented as directed by package.
Plastic wrap	Microwave-safe only. Use to cover food during cooking to retain moisture. Do not allow plastic wrap to touch food.
Thermometers	Microwave-safe only (meat and candy thermometers).
Wax paper	Use as a cover to prevent splattering and retain moisture.

Materials to be avoided in microwave oven

Utensils	Remarks
Aluminum tray	May cause arcing. Transfer food into microwave-safe dish.
Food carton with metal handle	May cause arcing. Transfer food into microwave-safe dish.
Metal or metal-trimmed utensils	Metal shields the food from microwave energy. Metal trim may cause arcing.
Metal twist ties	May cause arcing and could cause a fire in the oven.
Paper bags	May cause a fire in the oven.
Plastic foam	Plastic foam may melt or contaminate the liquid inside when exposed to high temperature.
Wood	Wood will dry out when used in the microwave oven and may split or crack.

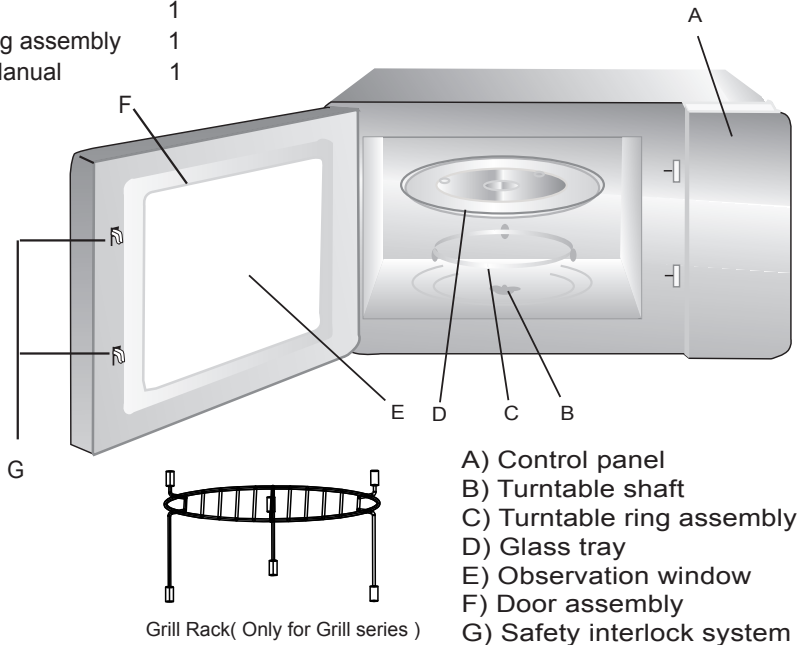
SETTING UP YOUR OVEN

Names of Oven Parts and Accessories

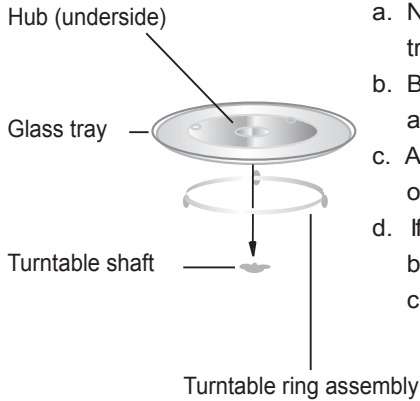
Remove the oven and all materials from the carton and oven cavity.

Your oven comes with the following accessories:

Glass tray	1
Turntable ring assembly	1
Instruction Manual	1



Turntable Installation



- a. Never place the glass tray upside down. The glass tray should never be restricted.
- b. Both glass tray and turntable ring assembly must always be used during cooking.
- c. All food and containers of food are always placed on the glass tray for cooking.
- d. If glass tray or turntable ring assembly cracks or breaks, contact your nearest authorized service center.

Installation and connection

- 1. This appliance is only intended for domestic use.
- 2. This oven is intended for built-in use only. It is not intended for counter-top use or for use inside a cupboard.
- 3. Please observe the special installation instructions.
- 4. The appliance can be installed in a 60cm wide wall-mounted cupboard (at least 55cm deep and 85cm off the floor).
- 5. The appliance is fitted with a plug and must only be connected to a properly installed earthed socket.
- 6. The mains voltage must correspond to the voltage specified on the rating plate.
- 7. The socket must be installed and connecting cable must only be replaced by a qualified electrician. If the plug is no longer accessible following installation, an all-pole disconnecting device must be present on the installation side with a contact gap of at least 3mm.
- 8. Adapters, multi-way strips and extension leads must not be used. Overloading can result in a risk of fire.

The accessible surface may be hot during operation.



Installation Instructions

Please Read the Manual Carefully Before Installation

Please note

Electrical connection

The oven is fitted with a plug and must only be connected to a properly installed earthed socket. The socket must only be installed and the connecting cable must only be replaced by a qualified electrician, and in accordance with the appropriate regulations.

If the plug is no longer accessible following installation, an all-pole isolating switch must be present on the installation side with a contact gap of at least 3 mm.

The fitted cabinet must not have a back wall behind the appliance.

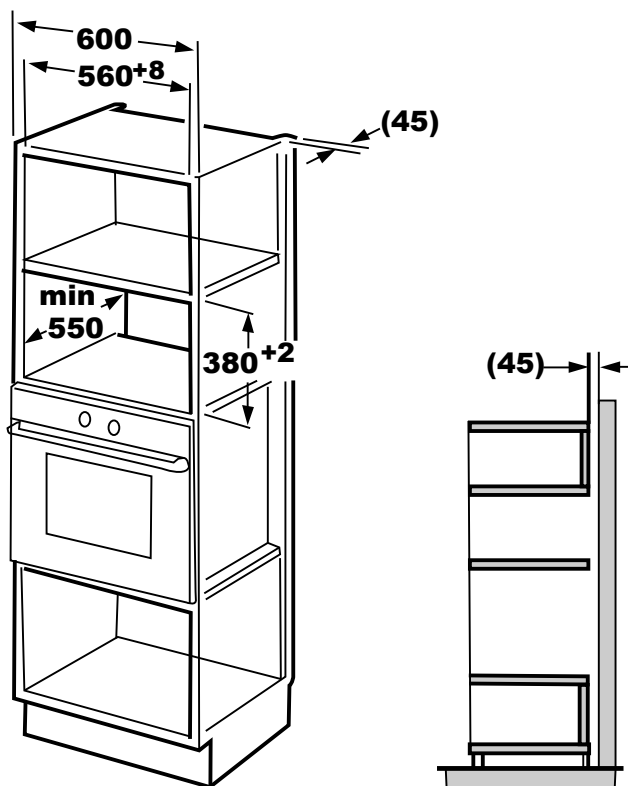
Minimum installation height: 85 cm.

Do not cover ventilation slots and suction holes.

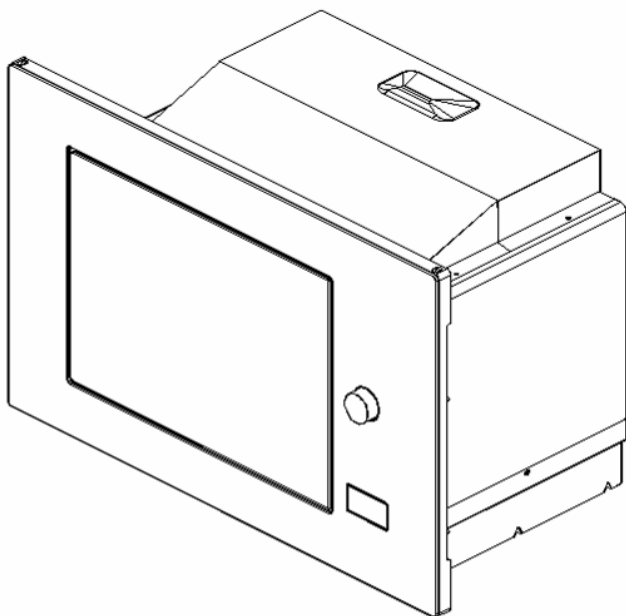
Note:

Do not trap or bend the power cable.

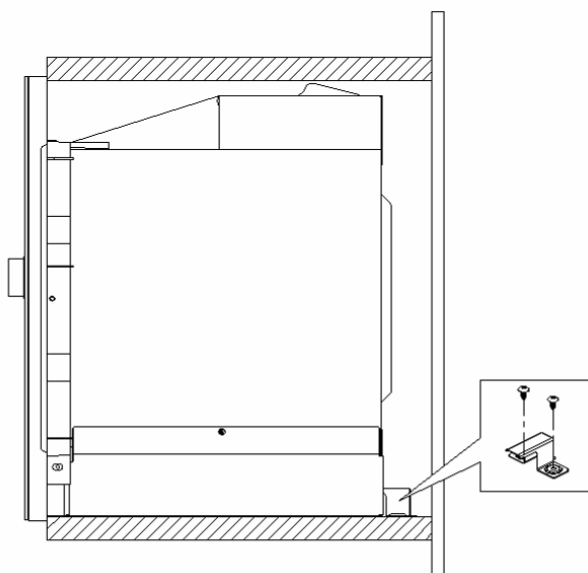
1.



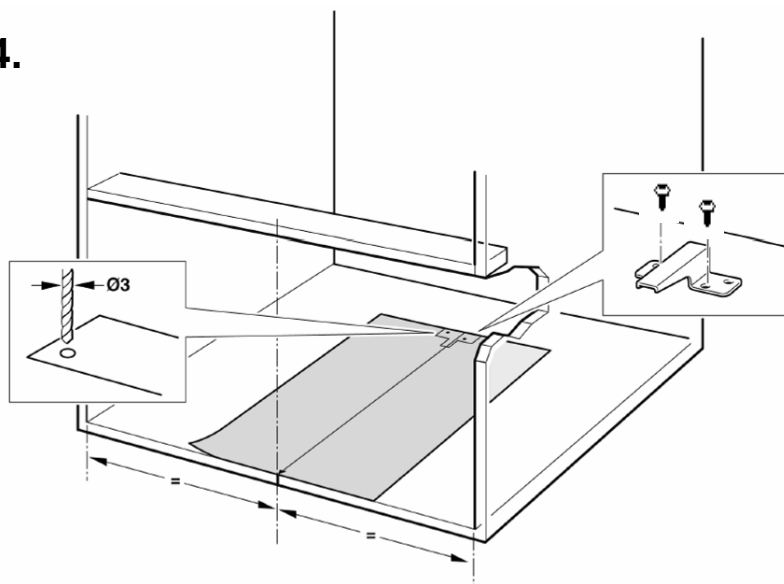
2.



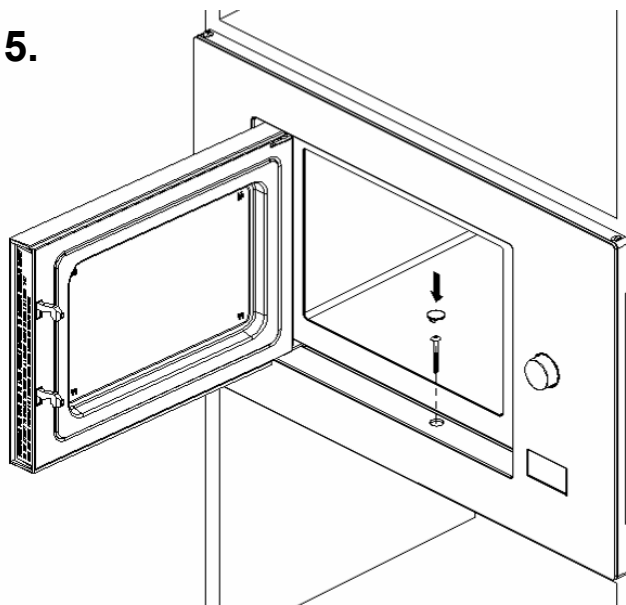
3.



4.



5.




OPERATION INSTRUCTION


This microwave oven uses modern electronic control to adjust cooking parameters to meet your needs better for cooking.

1. Clock Setting

1) In waiting state, press " CLOCK/KITCHEN TIMER "once, "00:00" displays.
Hour figures flash.

2) Turn " " to adjust the hour figures, the input time should be within 0--23.

3) Press " CLOCK/KITCHEN TIMER ", the minute figures will flash.

4) Turn " " to adjust the minute figures, the input time should be within 0--59.


5) Press " CLOCK/KITCHEN TIMER " to finish clock setting. ":" will flash.

Note: 1) If the clock is not set, it would not function when powered.


2) During the process of clock setting, if you press " STOP/CLEAR ", it will exit the setting state.

2. Microwave Cooking

1) Press the "MICROWAVE/GRILL/COMBI./CONVE. " key once, and "P100" display.

2) Press " MICROWAVE/GRILL/COMBI./CONVE." for times or turn " " to select the microwave power from 100% to 10%. "P100", "P80", "P50", "P30", "P10"... will display in order.

3) Press "START/+30SEC./CONFIRM " to confirm.

4) Turn " " to adjust the cooking time. (The time setting should be 0:05- 95:00.)

5) Press " START/+30SEC./CONFIRM " to start cooking.



NOTE: the step quantities for the adjustment time of the coding switch are as follow:

0---1 min : 5 seconds
1---5 min : 10 seconds
5---10 min : 30 seconds
10---30 min : 1 minute
30---95 min : 5 minutes

Microwave Power Chart



Press	Once	Twice	Thrice	4 times	5 times
Microwave Power	100%	80%	50%	30%	10%

3. Grill Cooking

- 1) Press the "MICROWAVE/GRILL/COMBI./CONVE. " key once, and "P100" display.
- 2) Press " MICROWAVE/GRILL/COMBI./CONVE." for times or turn "  " to select the grill function. When "G-1" displays, it indicates grill function.
- 3) Press "START/+30SEC./CONFIRM " to confirm.
- 4) Turn "  " to adjust the cooking time. (The time setting should be 0:05- 95:00.)
- 5) Press " START/+30SEC./CONFIRM " to start cooking.

Note: If half the grill time passes, the oven will sound twice to tell you to turn over the food. You can just leave it continue. But in order to have a better effect of grilling food, you should turn the food over, close the door, and then press"START/+30SEC./CONFIRM" to continue cooking.

4. Combination Cooking


- 1) Press the "MICROWAVE/GRILL/COMBI./CONVE. " key once, and "P100" display.
- 2) Press " MICROWAVE/GRILL/COMBI./CONVE." for times or turn "  " to select the combination function. Stop turning when "C-1", "C-2", "C-3", "C-4" displays.
- 3) Press "START/+30SEC./CONFIRM " to confirm.
- 4) Turn "  " to adjust the cooking time. (The time setting should be 0:05- 95:00.)
- 5) Press " START/+30SEC./CONFIRM " to start cooking.

Note: Combination instructions

Instructions	Display	Microwave	Grill	Convection
1	C-1	●		●
2	C-2	●	●	
3	C-3		●	●
4	C-4	●	●	●

5. Convection Cooking(With preheating funtion)


The convection cooking can let you to cook the food as a traditional oven. Microwave is not used. It is recommended that you should preheat the oven to the appropriate temperature before placing the food in the oven.

- 1) Press the "MICROWAVE/GRILL/COMBI./CONVE. " key once, and "P100" display.
- 2) Press " MICROWAVE/GRILL/COMBI./CONVE." for times or turn " " to select the convection function. When convection temperature displays, it indicates convection function. The temperature can be chosen from 140 degrees to 230 degrees.

3) Press the " START/+30SEC./CONFIRM " to confirm the temperature.

4) Press the " START/+30SEC./CONFIRM " to start preheating. When the preheating temperature arrives, the buzzer will sound twice to remind you to put the food into the oven. And the preheated temperature is displayed and flash.

5) Put the food into the oven and close the door.

Turn " " to adjust the cooking time. (The maximum setting time is 95 minutes.)

6) Press the " START/+30SEC./CONFIRM " key to start cooking.


Note: a. Cooking time cannot be input until the preheating temperature arrives.

If the temperature arrives, door must be opened to input the cooking time.


b. If the time not input in 5 minutes, the oven will stop preheating. The buzzer sound five times and turn back to waiting states.

6. Convection Cooking(Without pre-heating function)

1) Press the "MICROWAVE/GRILL/COMBI./CONVE. " key once, and "P100" display.

2) Press " MICROWAVE/GRILL/COMBI./CONVE." for times or turn " " to select the convection function. When convection temperature displays, it indicates convection function. The temperature can be chosen from 140 degrees to 230 degrees.

3) Press the " START/+30SEC./CONFIRM " to confirm the temperature

4) Turn " " to adjust the cooking time. (The maximum setting time is 95 minutes.)

5) Press the " START/+30SEC./CONFIRM " key to start cooking.


7. Multi-Stage Cooking

Two stages can be maximumly set. If one stages is defrosting, it should be put in the first stage. The buzzer will ring once after each stage and the next stage will begin.


Note: Auto menu and preheating cannot be set as one of the multi-stage.


Example: if you want to defrost the food for 5 minutes, then to cook with 80% microwave power for 7 minutes. The steps are as following:

1) Press "WEIGHT /TIME DEFROST " twice, the screen will display "dEF2";

2) Turn " " to adjust the defrost time of 5 minutes;


3) Press" MICROWAVE/GRILL/COMBI./CONVE." once;

4) Turn " " to choose 80% microwave power till "P80" display;

- 5) Press "START/+30SEC./CONFIRM" to confirm;
- 6) Turn "  " to adjust the cooking time of 7 minutes;
- 7) Press "START/+30SEC./CONFIRM" to start cooking.

8. KITCHEN TIMER

1) In waiting state, press " CLOCK/KITCHEN TIMER " twice, "00:00" displays.

2) Turn "  " to adjust the timer. The MAX.time is 95 minutes.

3) Press " START/+30SEC./CONFIRM " to confirm.


Note: 1) The kitchen time is differ from 24-hour system,Kitchen Timer is a timer.

2) During kitchen timer, anny program cannot be set.



9. Speedy Cooking

In waiting state, press "START/+30SEC./CONFIRM" key to cook with 100% power level for 30 seconds. Each press on the same key can increase 30 seconds. The maximum cooking time is 95 minutes.

10. Speedy Microwave Cooking

In waiting state, turn "  " left to choose cooking time directly then press "START/+30SEC./CONFIRM" key to cook with 100% microwave power. This program can be set as one of multi-stage.

11. Auto Menu


- 1) In waiting state, turn "  " right to choose the function wanted, and "A1", "A2", "A3"... "A10" will be displayed.
- 2) Press "START/ +30 SEC./CONFIRM" to confirm the menu you need.
- 3) Turn "  " to choose the weight of menu,and "g" indicator will light.
- 4) Press "START/ +30 SEC./CONFIRM" to start cooking.

Note: Cake menu is under convection cooking with 180°C-warm-up function, and you should preheat first following the auto menu operation, when the oven reaches the temperature, it will stop working and sound to remind opening the door to put cake in, then press "Start/+30Sec./Confirm" to start cooking.


Auto menu Chart

Menu	Weight(g)	Display	Power
A1 Reheat	150	150	100%
	250	250	
	350	350	
	450	450	
	600	600	
A2 Potato	1 (about 230g)	1	100%
	2 (about 460g)	2	
	3 (about 690g)	3	
A3 Meat	150	150	100%
	300	300	
	450	450	
	600	600	
A4 Vegetable	150	150	100%
	350	350	
	500	500	
A5 Fish	150	150	80%
	250	250	
	350	350	
	450	450	
	650	650	
A6 Pasta	50(with water 450ml)	50	80%
	100(with water 800ml)	100	
	150(with water 1200ml)	150	
A7 Soup	200	200	100%
	400	400	
	600	600	
A8 Cake	475	475	Preheat at 180 degrees
A9 Pizza	200	200	C-4
	300	300	
	400	400	
A10 Chicken	500	500	C-4
	750	750	
	1000	1000	
	1200	1200	

12. Defrost by W.T.

- 1) Press "WEIGHT/TIME DEFROST" pad once, the oven will display "dEF1",.
- 2) Turn " " to select the weight of food. At the same time, "g" will light, The weight should be 100-2000g.
- 3) Press "START/+30SEC./CONFIRM" key to start defrosting.

13. Defrost by Time

- 1) Press " WEIGHT/TIME DEFROST " key twice, the oven will display "dEF2"
- 2) Turn " " to select the cooking time. The maximum setting time is 95 minutes.
- 3) Press " START/+30SEC./CONFIRM" key to start defrosting. The defrosting power is P30 and it cannot be changed.

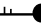
Note: If the food weight is no more than 200 grams, please place the food at the edge of the glass turntable but not the center to be defrosted.

14. Inquiring Function

- (1) In cooking state, press "MICROWAVE/GRILL/COMBI./CONVE.", the current power will be displayed for 2-3 seconds.
- (2) During cooking state, press "CLOCK/KITCHEN TIMER" to check the current time. It will be displayed for 2-3 seconds.

15. Lock-out Function for Children

Lock: In waiting state, press "STOP/CLEAR" for 3 seconds, there will be a long "beep" denoting entering into the children-lock state and locked indicator will light. LED will display current time or 0:00.

Lock quitting: In locked state, press "STOP/CLEAR" for 3 seconds, there will be a long "beep" denoting that the lock is released, and " " indicator will disappear.

16. Specification

- (1) The buzzer will sound once when turning the knob at the beginning;
- (2) "START/+30 SEC./CONFIRM" must be pressed to continue cooking if the door is opened during cooking;
- (3) Once the cooking programme has been set , "START/+30 SEC./CONFIRM" is not pressed in 5 minutes. The current time will be displayed. The setting will be cancelled.
- (4) The buzzer sounds once by efficient press, inefficient press will be no response.
- (5) The buzzer will sound five times to remind you when cooking is finished.

Trouble shooting

Normal	
Microwave oven interfering TV reception	Radio and TV reception may be interfered when microwave oven operating. It is similar to the interference of small electrical appliances, like mixer, vacuum cleaner, and electric fan. It is normal.
Dim oven light	In low power microwave cooking, oven light may become dim. It is normal.
Steam accumulating on door, hot air out of vents	In cooking, steam may come out of food. Most will get out from vents. But some may accumulate on cool place like oven door. It is normal.
Oven started accidentally with no food in.	It is forbidden to run the unit without any food inside. It is very dangerous.

Trouble	Possible Cause	Remedy
Oven can not be started.	(1) Power cord not plugged in tightly.	Unplug. Then plug again after 10 seconds.
	(2) Fuse blowing or circuit breaker works.	Replace fuse or reset circuit breaker (repaired by professional personnel of our company)
	(3) Trouble with outlet.	Test outlet with other electrical appliances.
Oven does not heat.	(4) Door not closed well.	Close door well.
Glass turntable makes noise when microwave oven operates	(5) Dirty roller rest and oven bottom.	Refer to "Maintenance of Microwave" to clean dirty parts.



According to Waste of Electrical and Electronic Equipment (WEEE) directive, WEEE should be separately collected and treated. If at any time in future you need to dispose of this product please do NOT dispose of this product with household waste. Please send this product to WEEE collecting points where available.