





VHDDKIT1

RECIRCULATING PLINTH VENT KIT



 Before you start	03
 What's required for installation	04
What's in the box	04
Installation	05
 Care & Maintenance	11
 Service & Spares	12



| Before you start

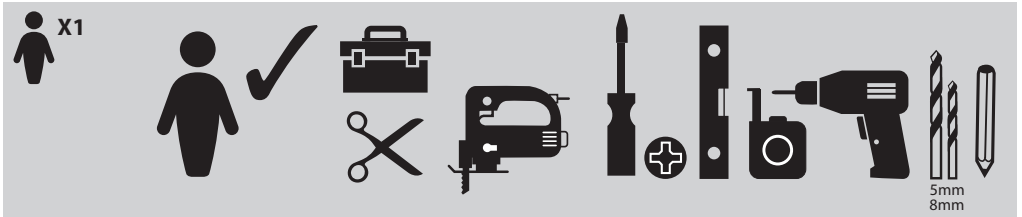
These instructions are for your safety. Please read them thoroughly prior to installation and retain them for future reference.

WARNING: This vent kit must be installed by a competent person following the instructions provided by the manufacturer. The manufacturer declines all responsibility for improper installation, which may harm persons and animals and cause damage.

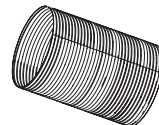
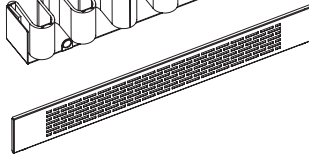
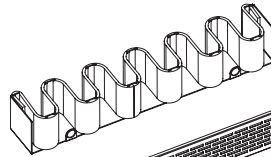
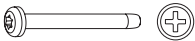
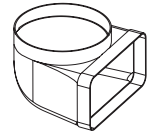
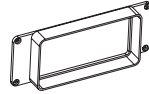
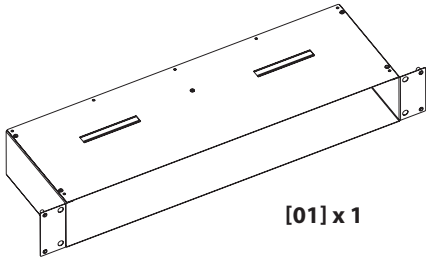
- Check the package and make sure you have all of the parts listed.
-



| What's required for installation



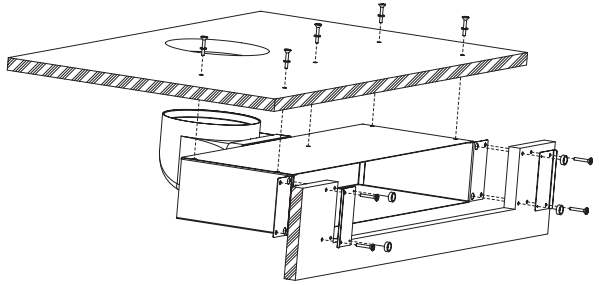
| What's in the box



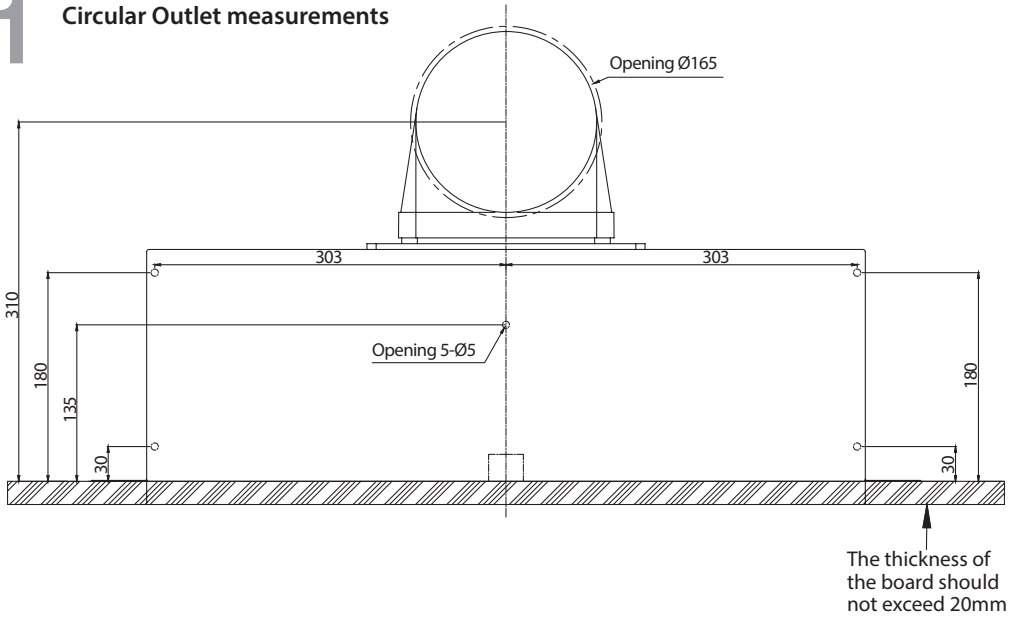


| Measuring Guide

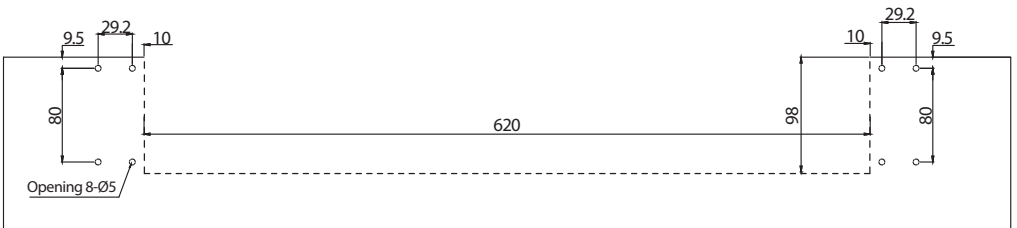
01



1 Circular Outlet measurements



2 Plinth measurements

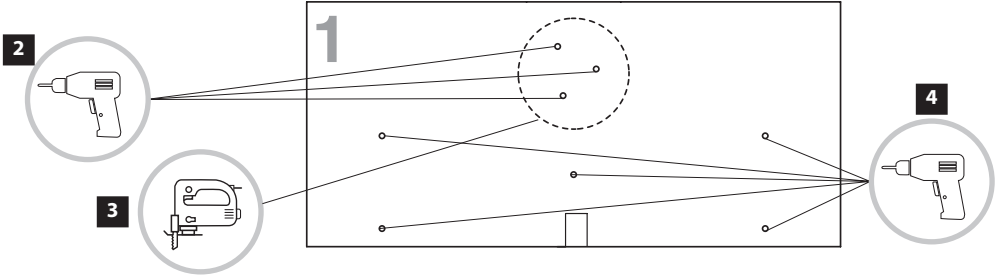




| Cut out cabinet base

02

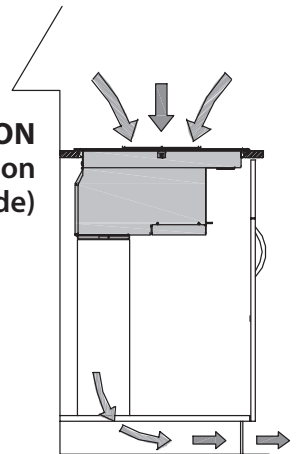
1 See measuring guide on page 5



This vent kit is designed to be installed underneath a kitchen base cabinet (minimum size 800mm) with front facing plinth.

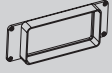
1. Refer to the measuring guide on page 5 and mark the base.
2. Using an 8mm drill bit, drill guide holes within the outline of the circular outlet.
3. Cut-out circular outlet with a jigsaw.
4. Using a 5mm drill bit, drill the 5 x holes marked in the base.

**RECIRCULATION
(no extraction
to the outside)**





03



[02] x 1



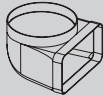
[07] x 4
M4 x 7 PH2



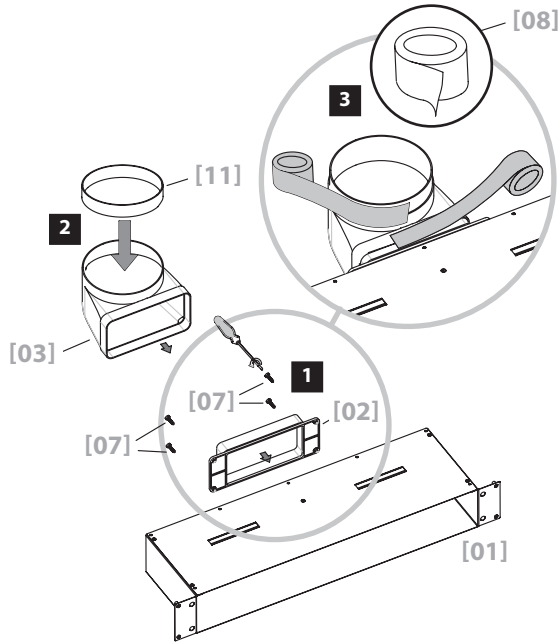
[08] x 1



[11] x 1



[03] x 1



1. Attach [02] to the rear of the housing [01] using [07] x 4.
2. Place [11] in the top of [03] and attach [03] to the rear of [02].
3. Secure [11] and [03] with adhesive tape [08].



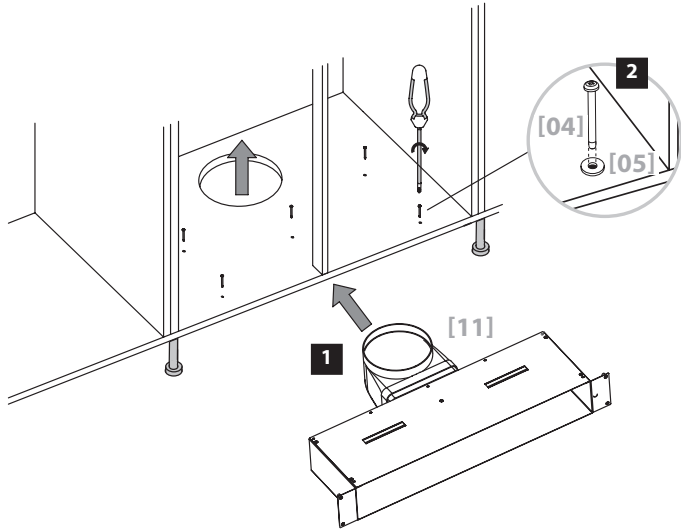
04



[04] x 5

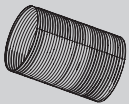


[05] x 5

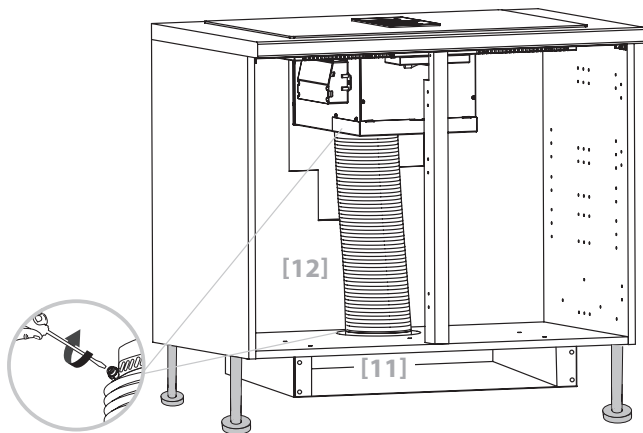


1. Place the housing underneath the base until the outlet [11] is visible inside the cabinet.
2. Secure the unit to the base of the cabinet using [04] x 5 and [05] x 5.
Do not over tighten the screws!

05



[12] x 1



1. Fix the flexible pipe [12] securely to the outlet of the induction hob and the inlet of the housing [11].

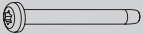


| Cut out plinth

06

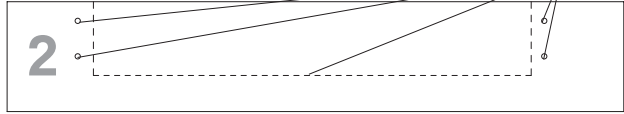


[06] x 2



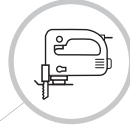
[04] x 4

1 See measuring guide on page 5

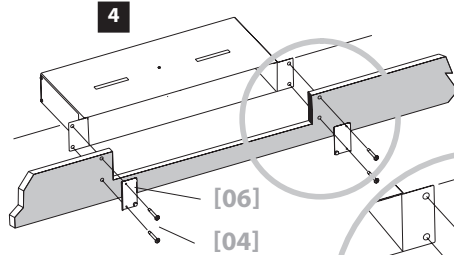


2

2



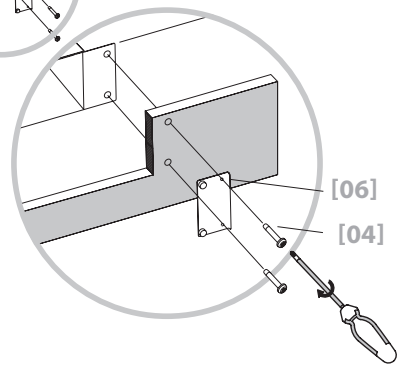
3



4

[06]

[04]



[06]

[04]

1. Refer to the measuring guide on page 5 and mark the plinth with the rectangle cut-out and 4 x screw holes.

2. Cut-out the rectangle using a jigsaw.

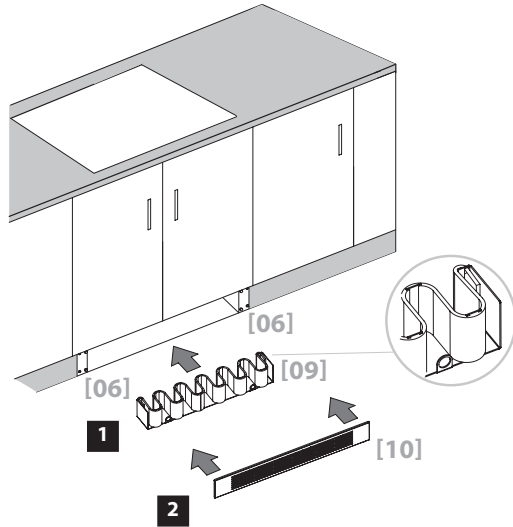
3. Drill the 4 x holes using a 5mm drill bit.

4. Secure the plinth to the housing using [06] x 2 and [04] x 4.

Ensure the plinth leg clips (supplied with the cabinet) are attached to the rear of the plinth.



07



1. Insert the filter [09] ensuring the ring pulls are facing forward.
2. Attach the grill [10] to the four magnets attached to the plates [06] x 2.



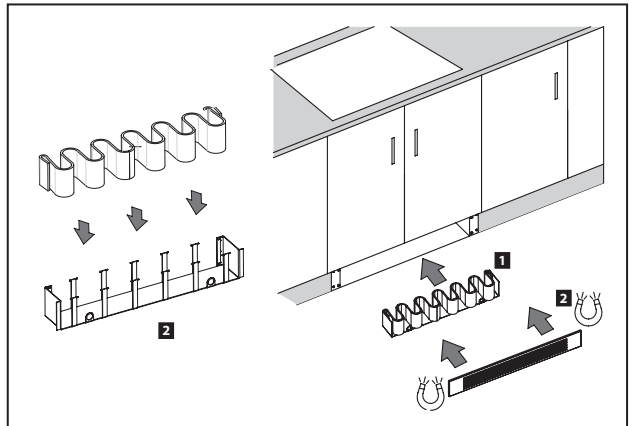
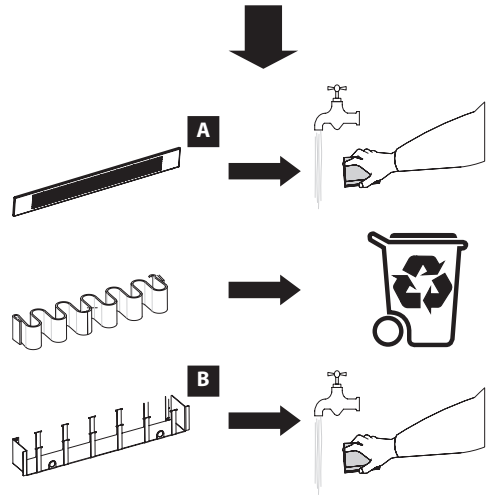
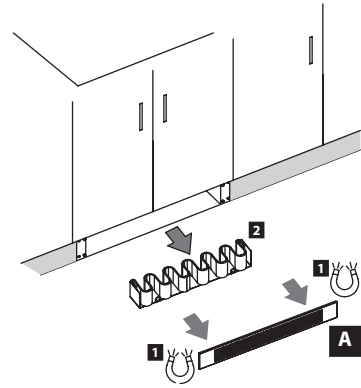
Looking after your appliance

WARNING: Always switch off the electricity supply before performing maintenance work.

01 Carbon filter replacement

Replace the carbon filter every 3-6 months, however it is recommended to wash the magnetic grill [A] and carbon filter case [B] every 3 months, do not wash the carbon filter.

Replacement Carbon filters WRDDF1 available online at viceroy.co.uk and karlson.co.uk or customer helpline in Service & Spares section.





| After sales & service support



For after sales, service enquiries & spares support

Please contact: **0333 247 1128**

Monday to Friday: 9am-5pm

Saturday: 9am-1pm

Email enquiries: wrenservice@apelson.co.uk

Dedicated spares online at:

viceroy.co.uk

karlson.co.uk