








90CM CEILING HOOD



WRCE90RF

KARLSON
User Manual



	BEFORE USING YOUR APPLIANCE	03
	SAFETY	03
	ELECTRICAL INSTALLATION	06
	TECHNICAL DATA	07
	TROUBLESHOOTING	08
	GUARANTEE	09
	WHAT'S REQUIRED FOR INSTALLATION	12
	WHAT'S IN THE BOX	12
	INSTALLATION	13
	CONNECTIVITY	23
	USE	29
	FUNCTIONS & SETTINGS	29
	CARE & MAINTENANCE	31
	SERVICE & SPARES	32



BEFORE USING YOUR APPLIANCE

These instructions are for your safety. Please read the following instructions carefully before proceeding with the installation and use of this appliance.

WARNING: All installation work must be carried out by a suitably qualified person, strictly following local building regulations and these instructions.

- To avoid the risks that are always present when you use an electrical appliance it is important that this ceiling hood is installed correctly and that you read the safety instructions carefully to avoid misuse and hazards. After unpacking the ceiling hood please check that it is not damaged. If in doubt, do not use the appliance but contact Customer Services.
- Check the package and make sure you have all of the parts listed and decide upon the appropriate location for your product. If this product contains glass please take care with fitting or handling to prevent personal injury or damage to the product. The specification plate shown on this appliance displays all the necessary identification information for ordering replacement parts. If you sell the appliance, give it away, or leave it behind when you move house, please ensure that you pass on this manual so that the new owner can become familiar with the appliance and its safety warnings.

SAFETY

There is a risk of electric shock and fire if cleaning is not carried out in accordance with these instructions.

Where applicable, this hood is supplied with fixings. Please ensure you use the correct fixings suitable for the substrate where the hood will be installed and that they are able to support the weight of the hood.

Use only the same size of fittings and mounting screws as recommended in this instruction manual. Failure to follow these instructions may result in electrical hazards.

Switch off the hood at the mains supply before carrying out any maintenance work or cleaning.

Accessible parts may become hot when used with cooking appliances. Children less than 8 years of age shall be kept away unless continuously supervised and care should be taken to avoid touching the appliance.

Do not flambé under the hood. To avoid the risk of fire, clean or replace the grease filter regularly and closely monitor pans containing hot oil.

continued overleaf



GENERAL SAFETY

Means for full disconnection must be incorporated in the fixed wiring in accordance with the local wiring installation rules for your country. An all-pole disconnection switch having a contact separation of at least 3mm in all poles should be connected during installation.

When the hood is located above an appliance, please refer to dimension A in Step 2 of the installation diagram for the minimum distance between the supporting surface for the cooking vessels on the hob and the lowest part of the hood.

Before connecting the hood, check that the supplied voltage and frequency match with that indicated on the appliance rating plate. Failure to install the appliance in accordance with these instructions may result in a safety hazard. If in doubt, ask for advice instore or from a qualified installer.

Consult local regulations regarding extraction outlets and ensure these are complied with. Do not connect the hood to a ventilation or hot air duct containing combustion fumes from burning gas or other fuels. Confirm that room ventilation is appropriate with the local authorities.

The hood may stop working during an electrostatic discharge (e.g. lightning). This involves no risk of damage. Switch off the electricity supply to the hood and reconnect after one minute.

This hood can be used by children aged from 8 years and above and persons with reduced physical, sensory or mental capabilities or lack of experience and knowledge if they have been given supervision or instruction concerning use of the appliance in a safe way and understand the hazards involved. Children shall not play with the hood. Cleaning and user maintenance shall not be made by children without supervision. Keep the hood and its supply cord out of the reach of children less than 8 years old.



- Do not install the appliance outdoors in a damp place or in an area which may be prone to water leaks such as under or near a sink unit. In the event of a water leak affecting the appliance, do not use and contact customer services to arrange for inspection.
- Do not use flammable sprays in close vicinity to the appliance.
- If the supply cord is damaged, it must be replaced by the manufacturer, its service agent or similarly qualified persons in order to avoid a safety hazard.
- Please dispose of the packing material carefully. There is a fire risk if cleaning is not carried out in accordance with the instructions. Refer to the Care and Maintenance sections carefully for details on how to clean and replace the aluminium and carbon filters (if fitted).
- The LED lamps in this appliance are not replaceable by the consumer. If a lamp fails, please contact the customer helpline at the end of Care & maintenance to arrange an engineer visit.
- Do not use a steam cleaner for care and maintenance.
- The appliance is not intended to be operated by means of an external timer or separate remote control system.
- There shall be adequate ventilation of the room when the hood is used at the same time as appliances burning gas or other fuels. Ensure that the negative pressure of the installation site does not exceed 4 Pa (0.04 mbar) to ensure combustion fumes are not drawn back into the room.
- Do not use the hood if it shows signs of damage or imperfection. Contact customer services for assistance.
- The manufacturer declines all liability for personal or material damage as a result of misuse or incorrect installation of this appliance.
- The appliance is for domestic use only as an extractor hood.



ELECTRICAL INSTALLATION

All installation must be carried out by a competent person or qualified electrician. Before connecting the mains supply ensure that the mains voltage corresponds to the voltage on the rating plate.

Direct Connection

The appliance must be connected directly to the mains using an omnipolar circuit breaker with a minimum opening of 3mm between the contacts. Alternatively this appliance can be fitted with a 3 pin (UK) plug.

The installer must ensure that the correct electrical connection has been made and that it complies with the wiring diagram.

The cable must not be bent or compressed.




WARNING: This is a Class I appliance and MUST be earthed.

This appliance is supplied with a 3 core mains cable coloured as follows:

Brown = L or Live

Blue = N or Neutral

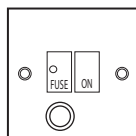
Green and Yellow = E or Earth 

To avoid the risks that are always present when you use an electrical appliance it is important that this appliance is installed correctly and that you read the safety instructions carefully to avoid misuse and hazards. Please keep this instruction booklet for future reference and pass it on to any future owners. After unpacking the appliance please check that it is not damaged. If in doubt, do not use the appliance but contact Customer Services.

The manufacturer declines all liability for damage caused to persons and objects due to incorrect or improper installation of the appliance. Any permanent electrical installation must comply with the latest wiring regulations applicable to your country and for your own safety a qualified electrician or contractor should undertake the electrical installation.

The appliance is supplied from the factory to use external ducting (not supplied). Should you wish to use this in recirculation mode only, please fit the correct carbon filter (not supplied).

Switched Fused Spur Outlet



USE A 3AMP FUSE

**TECHNICAL DATA**

Supply voltage	220-240V~ 50Hz
Power consumption - Fan	80W
Power consumption - Cooking Light	1 x 3W Max
Power consumption - Total	83W
Protection class	I
ILCOSD Code - Cooking Light	DSL-3-S-415/25/23
Frequency band	434 MHz

Information for EU No. 66/2014 and No. 65/2014 A. Information of the cooker hood.

Trademark	Value
Model identification	WRCE90RF
Annual Energy Consumption (AEC hood) (kWh/year)	23
Energy Efficiency class	A+
Fluid Dynamic Efficiency	35.1
Fluid Dynamic Efficiency class	A
Lighting Efficiency (LEhood) (lux/W)	26.3
Lighting Efficiency class	B
Grease Filtering Efficiency (GFE hood)	58.6
Grease Filtering Efficiency class (GFEhood)	E
Minimum air flow at working point (in normal use) (m3/h)	334
Maximum air flow at working point (in normal use) (m3/h)	535
Maximum air flow at highest setting (Qmax) (m3/h) (with Boost)	560
Weighted sound power level at minimum setting (LWA) (dB)	50
Weighted sound power level at maximum setting (LWA) (dB)	65
Sound power level of boost if any (LWA) (dB)	67
Measured power consumption off mode (Po) (W)	0.32
Measured power consumption in standby mode (Ps) (W)	-
Time increase factor (f)	0.7
Energy Efficiency Index (EELhood)	37.4
Measured air flow rate at best efficiency point (QBEP) (m3/h)	277.3
Measured air pressure at best efficiency point (PBEP) (Pa)	378
Measured electric power input at best efficiency point (WBEP) (W)	82.9
Nominal power of the lighting system (WL) (W)	3
Average illumination of the lighting system on the cooking surface (Emiddle) (lux)	166

**TROUBLESHOOTING**

IMPORTANT: If your ceiling hood appears not to be operating properly, before contacting Customer Services, please refer to the checklist below.

Problem	Possible Cause	Solution
Excessive vibration.	The appliance is not installed properly on the brackets.	Take down the appliance and check it is properly fixed.
	The fan blade is damaged.	Switch off the appliance. Repair to be carried out by qualified service personnel only.
	The fan motor is not fixed tightly.	
The light is on, but the fan does not work.		
The light is on, but the fan does not work.	The fan blade is jammed.	Switch off the appliance. Repair to be carried out by qualified service personnel only.
	The motor is damaged.	
Both the light and motor do not work.	Light bulb blown.	Contact Customer Services.
	Power connection loose.	Check power supply.
Suction performance reduced.	Speed may be too low.	Select a higher speed.
	Optional vent kit might be twisted.	Ensure that the vent kit is fitted according to the manufacturer's instructions.
	Top vent might be obstructed.	Clear any obstruction.
	The installation may not comply with the manufacturer's instructions.	The vent hose should be correct diameter throughout with no reductions or restriction. (See installation section).
Works normally but cooking smells linger.	Carbon filter is not fitted in recirculation mode or is full of grease.	Fit carbon filter or replace the carbon filter (See Care and maintenance section).
The hood does not work.	Check that the hood is connected to power. Check the fuse box and trip switches.	
The hood still does not work.	If, after having checked the points mentioned above, your problem has not yet been solved, contact Customer Services.	



DECLARATION OF CONFORMITY

(EU) Declaration of Conformity

Name and address of the manufacturer or his authorised representative:

AAUK Ltd

Unit 3 Normandy Landings

Pope Street, Castleford

West Yorkshire

WF6 2AG

This declaration of conformity is issued under the sole responsibility of the manufacturer.

Object of the declaration:

- **Product: 90cm Ceiling Hood**
- **Model: WRCE90RF**

The object of the declaration described above is in conformity with the relevant Union harmonisation legislation:

- 2014/53/EU as amended
Radio Equipment Directive

References to the relevant harmonised standards used or references to the other technical specifications in relation to which conformity is declared:

- EN 300 220-2 V3.1.1
- EN 300 220-1 V3.1.1
- EN 301 489-1 V2.2.3
- EN 301 489-3 V2.1.11



DECLARATION OF CONFORMITY

(UK) Declaration of Conformity

Name and address of the manufacturer or his authorised representative:

AAUK Ltd

Unit 3 Normandy Landings

Pope Street, Castleford

West Yorkshire

WF6 2AG

This declaration of conformity is issued under the sole responsibility of the manufacturer.

Object of the declaration:

- **Product: 90cm Ceiling Hood**
- **Model: WRCE90RF**

The object of the declaration described above is in conformity with the relevant legislation:

- Radio Equipment Regulations 2017 as amended

References to the relevant designated standards used or references to the other technical specifications in relation to which conformity is declared:

- EN 300 220-2 V3.1.1
 - EN 300 220-1 V3.1.1
 - EN 301 489-1 V2.2.3
 - EN 301 489-3 V2.1.1
-



RECYCLING & DISPOSAL



Waste electrical products (WEEE) should not be disposed of with household waste.

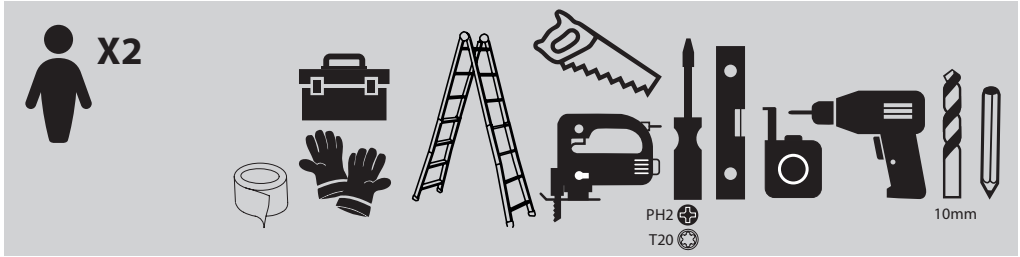
Please recycle where facilities exist. Check with your local governmental authority, domestic waste disposal services or the retailer where the product was bought for recycling advice.

The wheeled bin symbol on the product or its packaging indicates that this product cannot be treated as normal household waste. This product must be handed over to an electric and electronic equipment collection point for recycling.

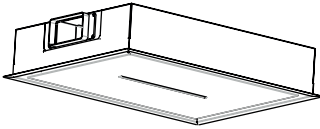
On ensuring that this product is disposed of correctly, you will help to avoid possible negative consequences for the environment and public health, which could occur if this product is not handled correctly.



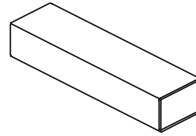
WHAT'S REQUIRED FOR INSTALLATION



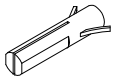
WHAT'S IN THE BOX



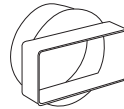
[01] x 1



[08] x 1
200 x 90 rectangular ducting (only used for circular ducting installation)



[02] x 4
Ø108 x 50mm



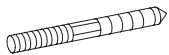
[09] x 1
200 rectangle to 150mm circular ducting adaptor (only used for circular ducting installation)



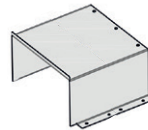
[03] x 4
M8.5 x 1mm



[10] x 2



[04] x 4
Ø10 M8 x 80mm



[11] x 1
Spare extension piece



[05] x 4
M8

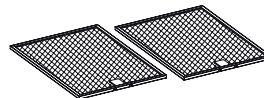


[06] x 4
M8 x 30mm

Not included



[07] x 1
M8 x 1000mm
TO CUT TO SIZE

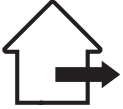


WRWFILT18
Washable
Filters

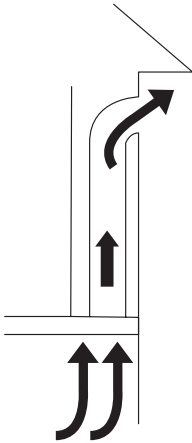


CHOOSE A TYPE OF INSTALLATION

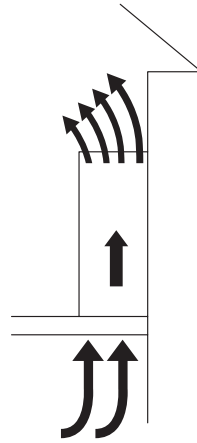
01



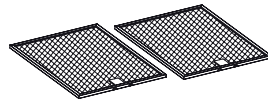
A DUCTED OPTION
(extraction to the outside)



B RECIRCULATION OPTION
(no extraction to the outside)



WRWFILT18





BEFORE YOU INSTALL THE CEILING HOOD

02

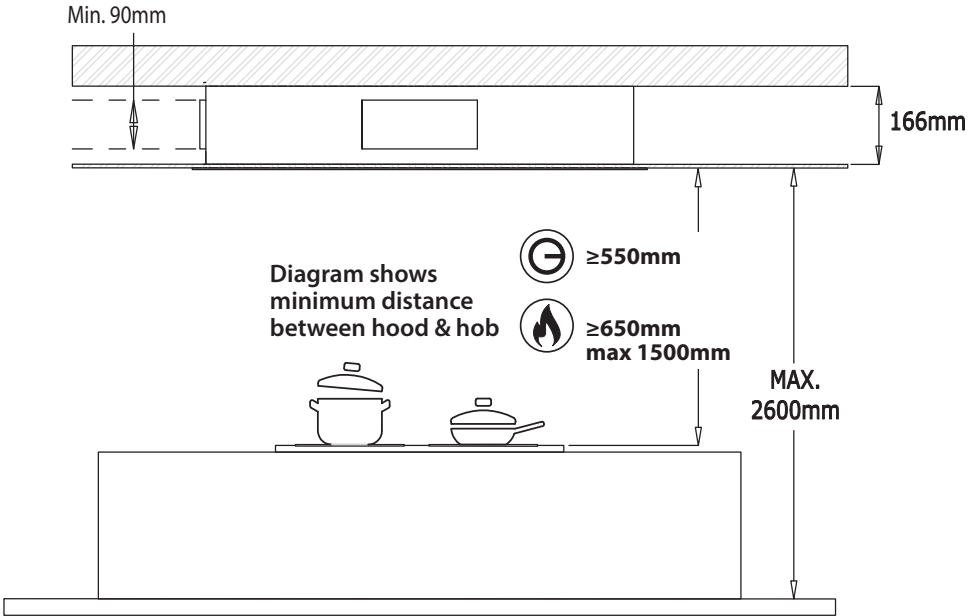


Diagram shows minimum distance between hood & hob

ⓐ $\geq 550\text{mm}$

🔥 $\geq 650\text{mm}$
max 1500mm

MAX.
2600mm

Warning: Caution! Before drilling it is extremely important to check the wall for hidden pipes, electrical cables etc using an appropriate detection device.

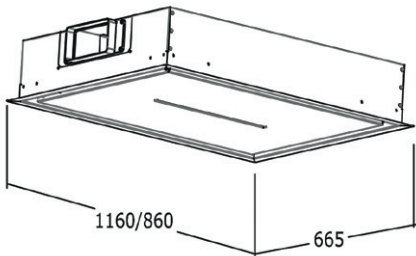
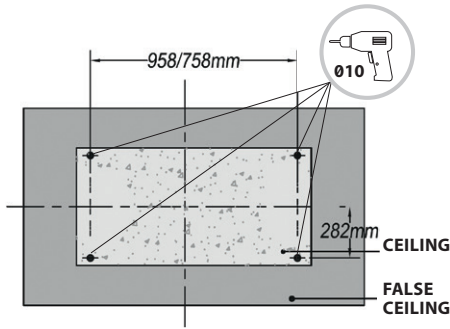
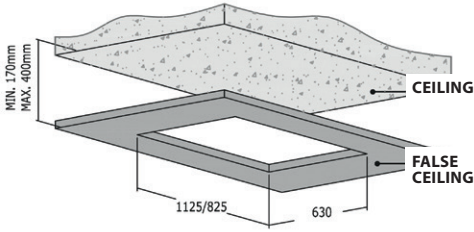
WARNING: Use only the same size of fittings and mounting screws as recommended in this instruction manual. Failure to follow these instructions may result in electrical hazards.

WARNING: Please follow the Safety and Electrical Installation sections at the start of this manual before connecting this appliance to the mains supply!

Cut out the work surface according to the sizes shown in the drawings.

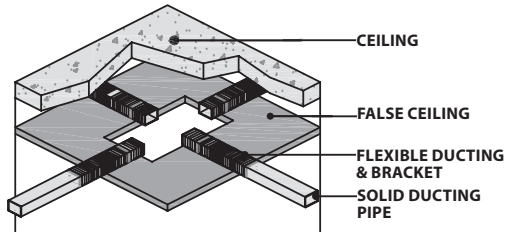
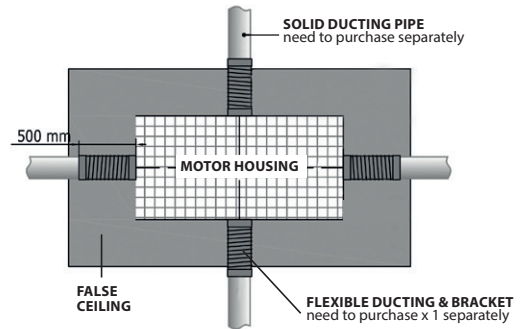


03 CUT OUT A FALSE CEILING

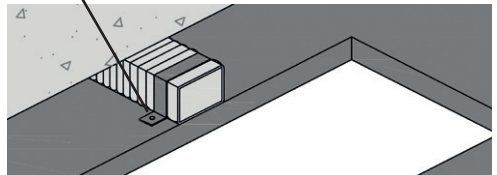


04 ALIGN MOTOR HOUSING

The motor housing can be rotated through 2 x 90° increments to cover two sides. You must rotate all frontal frame and fascia set 180° to have the four positions shown in the diagram below: (Please note only one solid ducting pipe OR flexible ducting pipe and bracket will therefore be required)



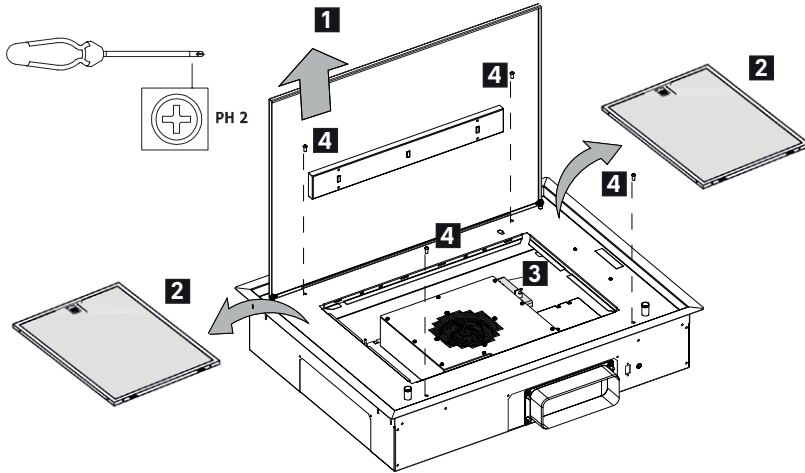
Secure solid ducting pipe or flexible ducting pipe to the inside of the false ceiling with bracket x 1 (need to purchase separately).





05 PREPARE YOUR CEILING HOOD UNIT FOR INSTALLATION AND CHANGE YOUR DUCTING POSITION IF REQUIRED

The motor housing unit is supplied as front position ducting, however this can be changed to side position ducting if required. In order to prepare the hood for installation, please follow steps below:

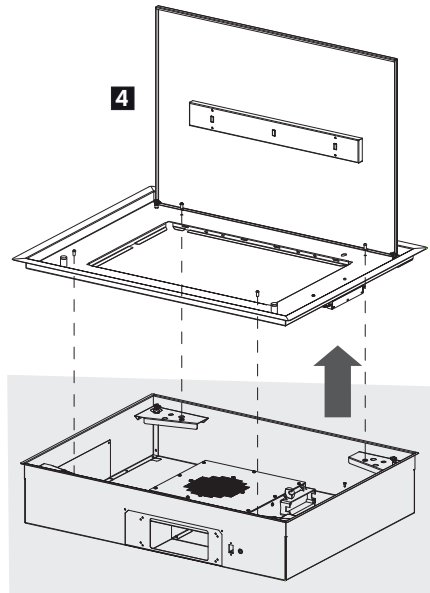


1 Open the frontal fascia panel.

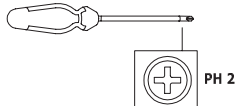
2 Remove the filters x 2.

3 Unplug the LED light connection inside the unit.

4 Remove frame and frontal fascia set by unscrewing the 4 x M6 x 12mm screws shown.

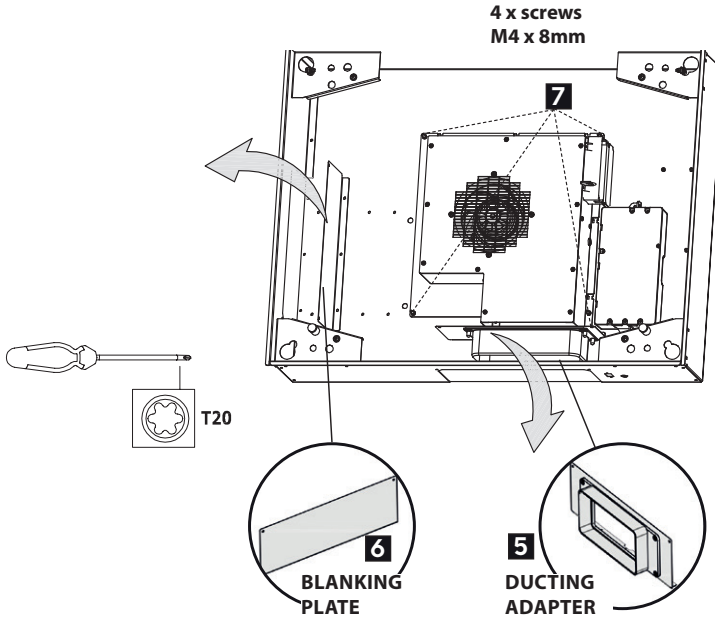


M6 x 12mm (x4)





05 PREPARE YOUR CEILING HOOD UNIT FOR INSTALLATION AND CHANGE YOUR DUCTING POSITION IF REQUIRED (continued)

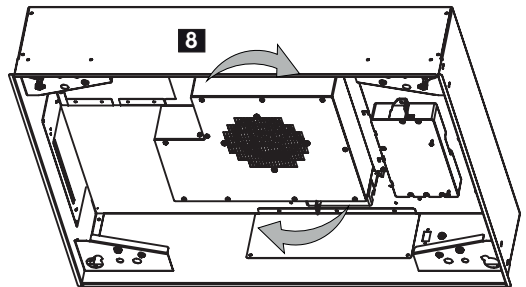


- 5 Remove ducting adapter [5] by unscrewing 4 x M4 x 8mm screws shown.

The following steps are only required if changing position of ducting:

- 6 Remove blanking plate [6] by unscrewing 4 x M4 x 8mm screws shown.
- 7 Remove the motor housing by unscrewing the 4 x M4 screws shown.
- 8 Rotate the motor housing 90° to change the ducting position.

Assemble the motor housing again by screwing the 4 x M4 screws.





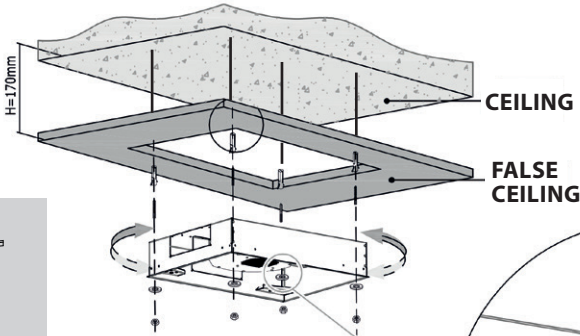
CEILING HOOD FITTING OPTIONS

06

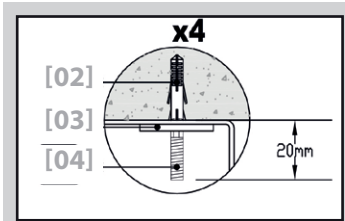
A

FIT CEILING HOOD FOR A H170MM CEILING

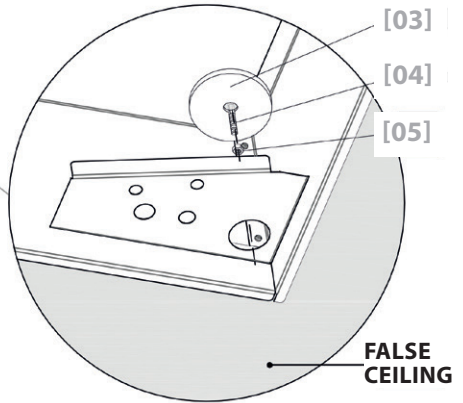
Ensure the motor housing unit is in the correct position for chosen ducting position before securing into the ceiling joists with bolts shown below.



- [02] x 4
Ø10 8 x 50mm
- [03] x 4
M8.5 x 1mm
- [04] x 4 Ø10
M8 x 80mm
- [05] x 4
M8



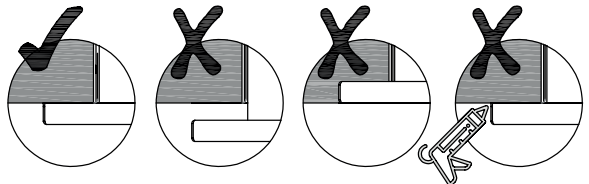
These fixings must be secured directly into the ceiling joists.



Tighten the screws until the ceiling hood sits flush with the false ceiling.



IMPORTANT: Ensure the ceiling hood fits flush with the false ceiling. Do not seal the hood.

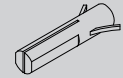
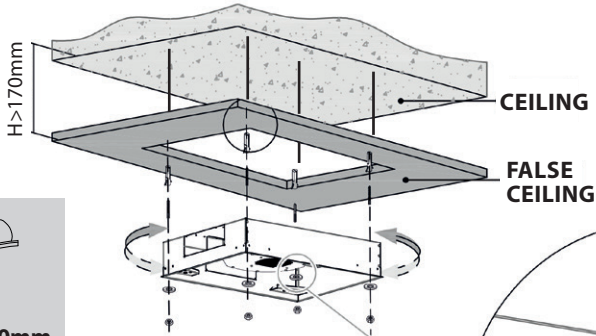




CEILING HOOD FITTING OPTIONS

06 B FIT CEILING HOOD FOR A H170MM CEILING

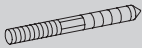
Ensure the motor housing unit is in the correct position for chosen ducting position before securing into the ceiling joists with bolts shown below.



[02] x 4
Ø10 8 x 50mm



[03] x 4
M8.5 x 1mm



[04] x 4 Ø10
M8 x 80mm



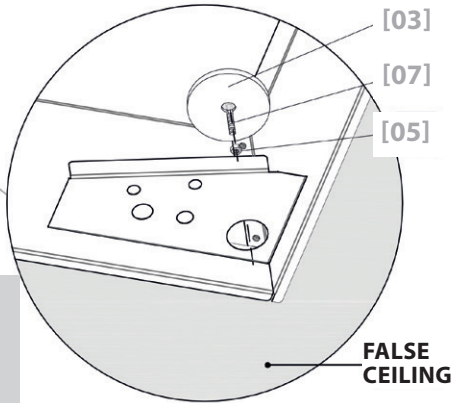
[05] x 4
M8



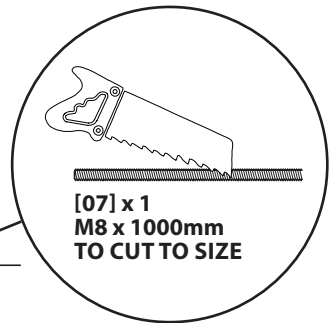
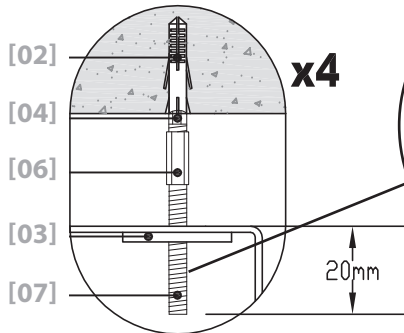
[06] x 4
M8 x 30mm



[07] x 1
M8 x 1000mm
TO CUT TO SIZE



Note: If the height of the solid foundation is more than 170mm use the fitting shown below:



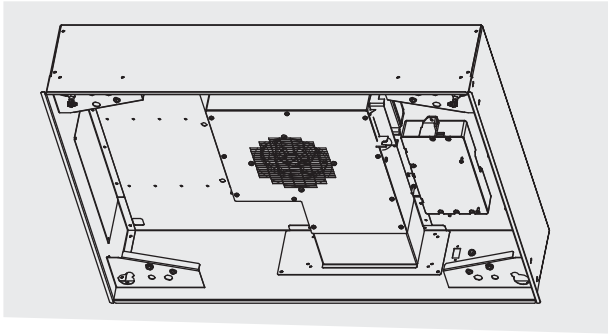
Using the dimensions shown in the diagram above cut a section of bolt (07) to size.

These fixings must be secured directly into the ceiling joists.

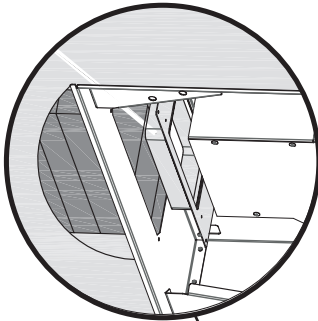


ATTACH DUCTING

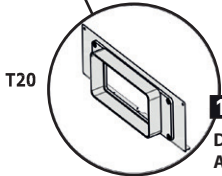
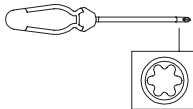
07 **A** FRONT POSITION DUCTING (Default position)



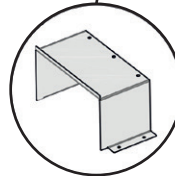
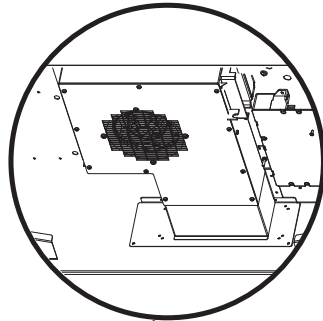
IMPORTANT: Parts 1 & 3 shown below must be removed prior to fitting the ducting pipe. Solid ducting pipe must be fixed touching the hood's casing before refitting parts 1 & 3.



4 x screws
M4 x 8mm



1
DUCTING
ADAPTER



2
EXTENSION
PIECE

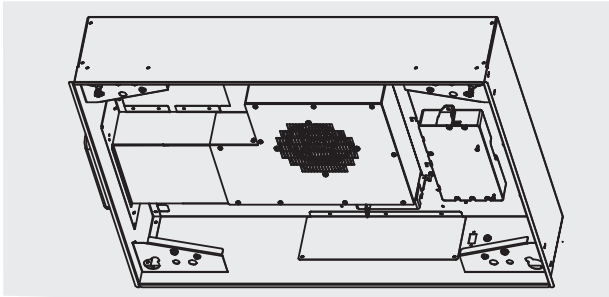


Secure all parts with self adhesive tape.

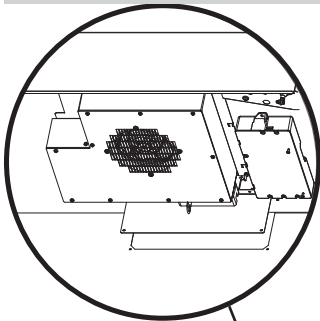


ATTACH DUCTING

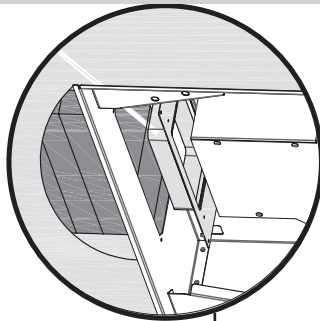
07 B SIDE POSITION DUCTING



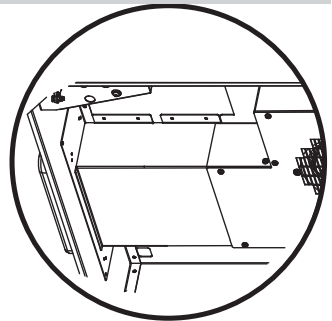
IMPORTANT: Parts 1, 2 & 3 shown below must be removed prior to fitting the ducting pipe. Solid ducting pipe must be fixed touching the hood's casing before refitting parts 1, 2 & 3.



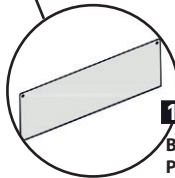
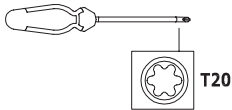
4 x screws
M4 x 8mm



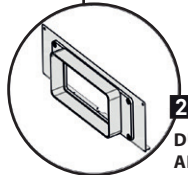
4 x screws
M4 x 8mm



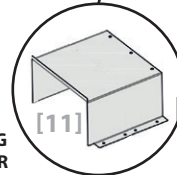
4 x screws
M4 x 8mm &
2 x screws
M4 x 12mm



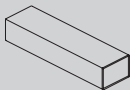
1
BLANKING
PLATE



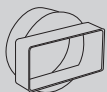
2
DUCTING
ADAPTER



3
SPARE
EXTENSION
PIECE



[08] x 1
200 x 90
rectangular
ducting



[09] x 1
200 rectangle to
150mm circular
ducting adaptor

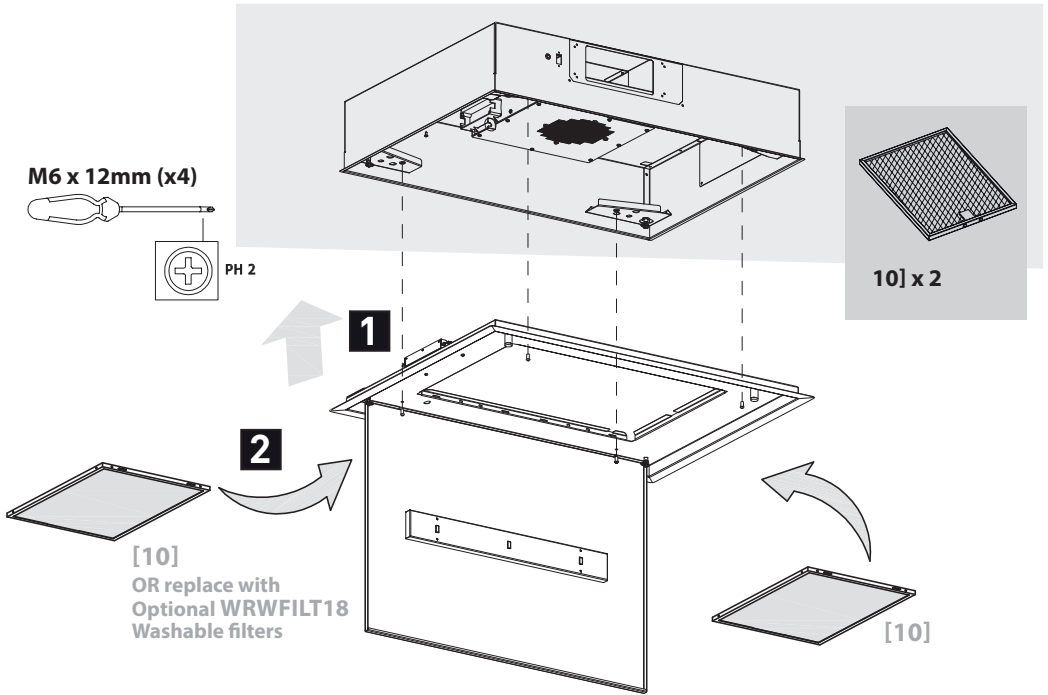
Attach rectangular 200 x 90 ducting [8] to ducting adapter and then attach 200 rectangle to 150mm circular ducting adaptor [9] if required.



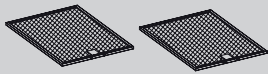
Secure all parts with self adhesive tape.



08 SECURE CEILING HOOD FRAME & METAL FILTERS



1. Refit the frontal fascia panel with the 4 x M6 x 12mm screws shown and reconnect the LED light connection.
2. Replace the filters x 2 [10] or replace with optional washable filters WRWFILT18.




**WRWFILT18
OPTIONAL WASHABLE FILTERS
AVAILABLE TO PURCHASE SEPARATELY**



CONNECTIVITY WITH YOUR HOB AND CEILING HOOD

You can link a hob with any hood with RF Technology in our range.
Please contact the service department on 0333 247 1128 for advice if you are unsure.

- Once the ceiling hood and the hob are linked, the hood can be controlled manually or automatically by pressing the Connectivity Indicator Key  to enable or disable the connection.
- The hob and hood have to be set up to link together.

To achieve this follow the steps for connectivity appropriate to your branded appliance:

A Connecting a WRCE90RF Ceiling Hood with a Viceroy Hob

B Connecting a WRCE90RF Ceiling Hood with a KARLSON Hob



BEFORE YOU START

Ceiling hood and the induction hob must be paired by radio frequency before remote control can occur. This only needs to be done once. When connected, the power output of the induction hob will control the extraction rate of the ceiling hood.



A CONNECTING A WRCE90RF CEILING HOOD WITH A VICEROY HOB

Setting up new linking method

The process for connecting a WRCE90RF ceiling hood to a Viceroy hob happens in 3 stages:

- A: Configure the hob to transmit a radio frequency signal.**
- B: Configure the ceiling hood to receive this signal.**
- C: Lock the connectivity between the two appliances and complete the pairing process.**

Stage A - Configure hob

1. Turn on the hob and make sure the Connectivity Indicator lamp is lit up.





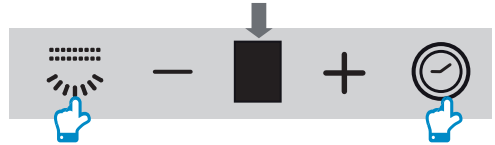
Note: Touch the Connectivity Key if the Connectivity Indicator is off.



2. Press the keys  and  together on the hob and the connection indicator will flash to confirm connection.

Stage B - Configure ceiling hood

1. Make sure that the hood is off.
2. Touch the Timer Key  and the Light On/Off Key  on the hood control panel simultaneously for more than 2 seconds. All icons will blink in blue/white alternately for 2 minutes whilst waiting for the pairing code from the hob.



Stage C - Pairing Complete

1. Press the keys  and  together on the hob one more time to store the connectivity settings.



A USING THE CONNECTIVITY FUNCTION



Ensure the Connectivity Indicator is lit on the hob control panel.

IMPORTANT: The extraction rate of the hood will vary based upon the total power output selected on the hob, as shown in the table below. Each hob cooking zone has a maximum rated output of 10 comprising 1-9 and Boost (10).

Speed Level of the Hood	Combined Power Output of the Hob
Speed 1	This speed will be selected when the combined output is 5 or less.
Speed 2	This speed will be selected when all four cooking zones are in use, and the combined output is between 6 and 10.
Speed 3	This speed will be selected when all four cooking zones are in use, and the combined output is between 11 and 15.
Speed 4	This speed will be selected when all four cooking zones are in use, and the combined output is between 16 and 21.
Speed 5	This speed will be selected when all four cooking zones are in use, and the combined output is between 22 and 27.
Speed P – Boost	This speed will be selected when all four cooking zones are in use, and the combined output is greater than 27.

If the hood controls are manually overridden when the hob and hood are linked, the hood will operate for 5 minutes on this manual setting before returning to control by the hob.

A STOPPING THE CONNECTIVITY FUNCTION

Touch the connectivity key  on the hob, the indicator light will go out and the link will be dropped. To reconnect again, press the connectivity key  on the hob again.



B CONNECTING A WRCE90RF CEILING HOOD WITH A KARLSON HOB

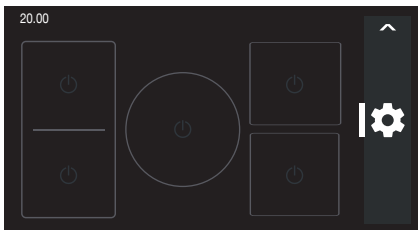
Setting up new linking method

The process for connecting a WRCE90RF ceiling hood to a KARLSON hob happens in 3 stages:

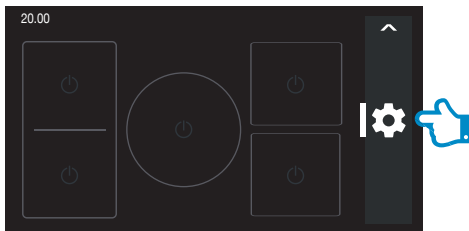
- A: Configure the hob to transmit a radio frequency signal.**
- B: Configure the ceiling hood to receive this signal.**
- C: Lock the connectivity between the two appliances and complete the pairing process.**

Stage A - Configure hob

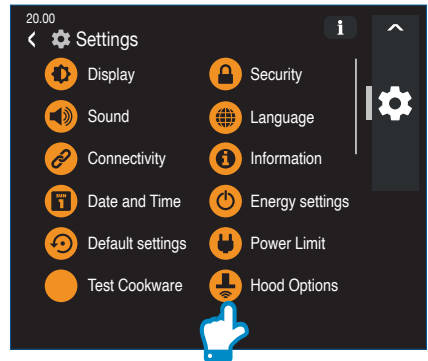
1. The induction hob must be switched on and showing the Home Screen display before proceeding.



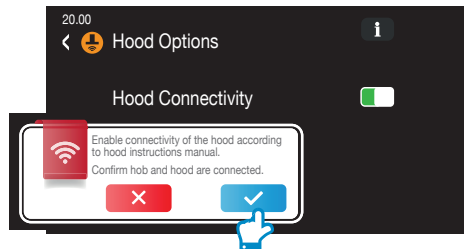
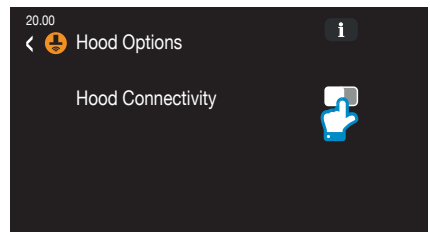
2. Touch the Settings icon to open the Settings Menu of the hob.



3. Scroll down and touch the 'Hood Options' - go to 'Hood Connectivity'.



4. Now touch the hood connection button on the hob and it will turn green.





The hob will briefly show a connected message to indicate that the hob is transmitting a radio frequency signal.

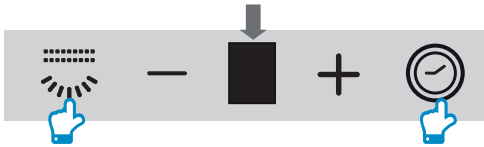
(Stage B shown overleaf)



B CONNECTING A WRCE90RF CEILING HOOD WITH A KARLSON HOB

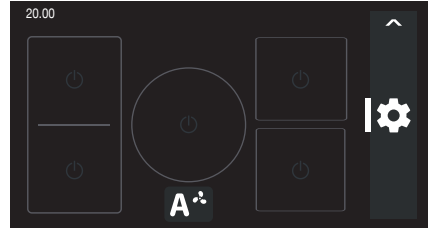
Stage B - Configure ceiling hood

1. Make sure that the hood is off.
2. Touch the Timer Key  and the Light On/Off Key  on the hood control panel simultaneously for more than 2 seconds. All icons will blink in blue/white alternately for 2 minutes whilst waiting for the pairing code from the hob.



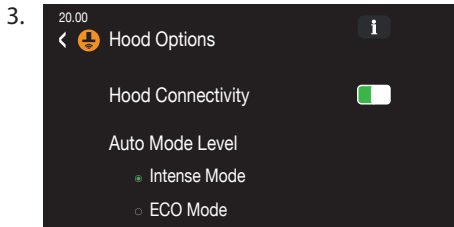
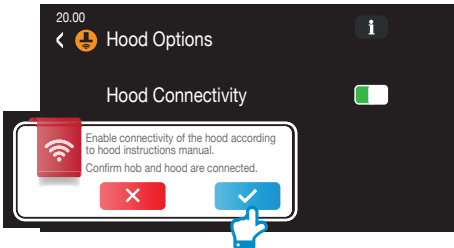
Stage C - (continued)

4. The fan icon **A⁺** will display in hob, now the hood and hob indicate pairing is complete.



Stage C - Pairing Complete

1. The control panel of the hood will show 'A' for 5 seconds to indicate connectivity has been made with the hob.
2. Click to accept hob and hood connection.



Note: When the 'Hood Connectivity' is activated, the option selected by default must be 'Intense Mode'.





B USING THE CONNECTIVITY FUNCTION

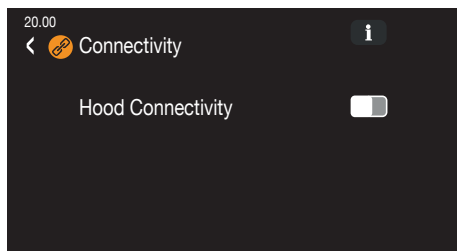
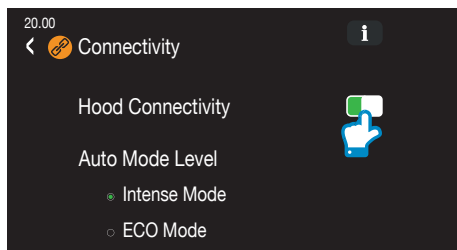
Ensure the Connectivity Indicator is lit on the hob control panel.



IMPORTANT: The extraction rate of the hood will vary based upon the total power output selected on the hob, as shown in the table below. Each hob cooking zone has a maximum rated output of 10 comprising 1-9 and Boost (10).

KARLSON AUTO MODE TABLE		
HOOD LEVEL	HOB LEVEL SUMMARY	
	INTENSE MODE	ECO MODE
SILENT	---	1-5
1	1-4	6-10
2	5-9	11-15
3	10-14	16-21
4	15-19	22-27
BOOSTER	>19	>27

If the hood controls are manually overridden when the hob and hood are linked, the hood will operate for 5 minutes on this manual setting before returning to control by the hob.

B STOPPING THE CONNECTIVITY FUNCTION



1. Stop the hood connectivity by touching the icon  on the hob and it will turn grey  .
This will end the pairing. The pairing process will need to be repeated to relink the hood and hob.
2. If the hob is switched off, the hood will continue to operate independently in Timer mode and the current speed will flash.

The current speed level of the hood will continue for 5 minutes and step down for 2 minutes at each level until finally switching off.



BEFORE YOU START

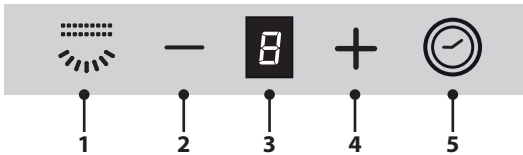
WARNING: Read the instructions before using the appliance.

Switch on the appliance at the switched fused connection unit. The appliance is ready for use.

FUNCTIONS & SETTINGS

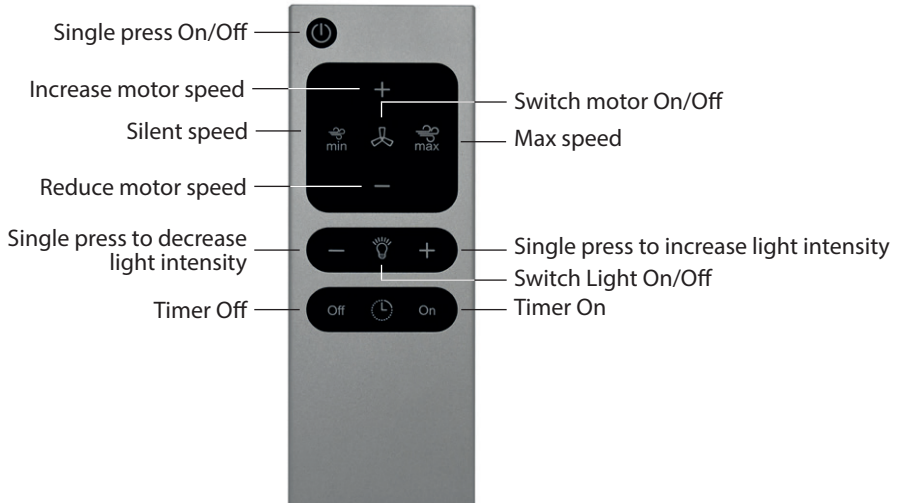
01 Four-button panel

To obtain the best results from your ceiling hood it is recommended that you leave it switched on for up to 15 minutes after you have finished cooking.



1. Light On/Off & Light Intensity Increase & Decrease
2. Speed Reduction
3. LED Display
4. Speed Increase
5. Timer

02 Remote Control



Note: The remote control supplied will already be paired to your ceiling hood. Please refer to the remote control user manual if you need to re-pair your remote control to your ceiling hood. If using a TFT hob to control your Ceiling hood we recommend not using the remote control to avoid conflicting instructions between the hob and hood.



03 To Set Up For First Use

Once the hood is switched off press both increase — and + decrease fan speed icons. All icons will start blinking in white. The hood is now in setting mode.

IMPORTANT: Set up must be done with the hood controls, not the remote control.

IMPORTANT: Once in settings mode, you can adjust the recirculation and lighting options in any order. However, all actions must be completed within 2 minutes.

Setting the Ducted or Recirculation Mode


Once in setting mode, press the Timer  icon and it will blink in red. The LED display will show the current Ducted or Recirculation Mode.

— Ducted Mode


— This is the factory default setting to extract air to the outside.

— Recirculation Mode

— This is the setting to recirculate the air with carbon filters installed.

1. To change to this option, press either — or + to select the correct mode.
2. Press Timer  icon to accept the change.

Setting the Lighting Mode


Once in setting mode, press the Light  icon and it will blink in red. The LED display will show the current Lighting Mode.

Cool light

— This is the factory default setting for all lights.

— Warm light

— This is an optional setting for all lights.

1. To change to this setting, press either — or + to select the correct mode.
2. Press Light  icon to accept the change.



LOOKING AFTER YOUR APPLIANCE

WARNING: Always switch off the electrical supply before carrying out maintenance work on the hood. In the event of a fault, contact customer services.

01 Washable filter cleaning

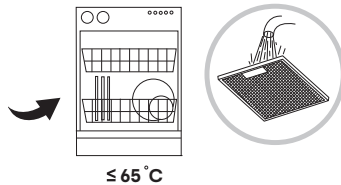
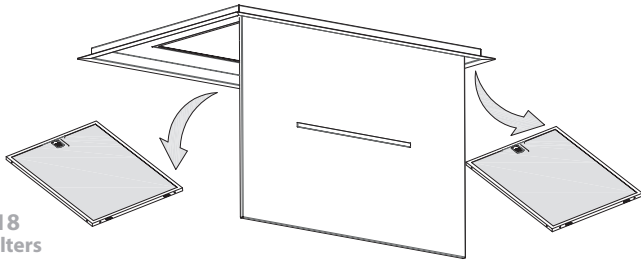
Clean thoroughly once a month or whenever a banner alerts you to clean them.

To do so, remove the filters and wash with hot water and detergent. If using a dishwasher (metal parts may turn black without this affecting their functional capacity), load the filters vertically to avoid solid residue from being deposited.



1 MONTH

Optional
WRWFILT18
Washable filters



WARNING: Increase the filter cleaning/replacement frequency if the hood is used for more than 2 hours a day. Always use genuine filters from the manufacturer.



AFTER SALES & SERVICE SUPPORT



For after sales, service enquiries & spares support

Please contact: **0333 247 1128**

Monday to Friday: 9am-5pm

Saturday: 9am-1pm

Email enquiries: wrenservice@apelson.co.uk

Dedicated spares online at: karlson.co.uk