







60CM BUILT-IN WARMING DRAWER
in black or
black with stainless steel trim



WRWD60SS
WRWD60BK

KARLSON
User Manual



	BEFORE USING YOUR APPLIANCE	03
	SAFETY	03
	ELECTRICAL INSTALLATION	05
	TECHNICAL DATA	06
	TROUBLESHOOTING	07
	GUARANTEE	08
	WHAT'S REQUIRED FOR INSTALLATION	10
	WHAT'S IN THE BOX	10
	INSTALLATION	11
	USE	12
	CONTROLS & SETTINGS	13
	CARE & MAINTENANCE	15
	SERVICE & SPARES	16



BEFORE USING YOUR APPLIANCE

Please read this instruction manual carefully. This will allow you to use your warming drawer in complete safety. Always keep the instruction manual handy. If you are unsure of any of the information contained in this booklet, please contact Customer Services.

IMPORTANT: Any installation work must be carried out by a qualified electrician or competent person.

- The warming drawer is designed exclusively for the heating of dishes which are suited for this purpose.
- The warming drawer is equipped with a hot air system. A fan creates excellent distribution of warmth from the drawer heating element. Air circulation heats the dishes evenly and quickly.
- A protection grille prevents contact with the heating element and the fan.
- The base of the drawer is covered with anti-slip material to keep dishes from moving when it is opened or closed.
- Be sure to check the warming drawer once it has been unpacked. If it has been damaged, do not use it and contact Customer Services.
- The manufacturer shall not be held liable for damage to persons or property due to incorrect installation, or improper, wrong or ludicrous use of the appliance.

SAFETY

Do not keep plastic or flammable objects in the appliance. When the warming drawer is turned on, these kinds of objects may melt or catch fire.

FIRE HAZARD. Do not use the warming drawer to heat the room.

Never use steam cleaners. They may cause short circuits and damage the warming drawer.

Never under any circumstances insert objects (e.g. screwdrivers, pointed objects, paper, etc.) through the slots in the protection grille of the heating element and fan.

This warming drawer is not intended for use by persons (including children) with reduced physical, sensory or mental capabilities, or lack of experience and knowledge, unless they have been given supervision or instruction concerning use of the appliance by a person responsible for their safety. Children should be supervised to ensure that they do not play with the appliance.



GENERAL SAFETY

- If the supply cord is damaged, it must be replaced by the manufacturer or its service agent or a similarly qualified person in order to avoid a hazard.
 - Do not use the appliance to keep warm, re-heat or cook foods and beverages.
 - Humidity from foods or beverages may cause problems for the appliance.
 - Do not lean or sit on the open drawer. The telescopic carriage may be damaged.
 - The maximum load of the drawer is 25kg.
 - Make sure that the warming drawer is firmly secured to the cabinet.
 - The inside of the appliance may reach a temperature of up to 75°C when the thermostat is set to the maximum position. When taking out hot dishes, use appropriate kitchen mitts as necessary.
 - If the on button is pressed, the drawer will start heating and there is a danger of burns.
-



ELECTRICAL INSTALLATION

IMPORTANT: Contact a qualified technician for the electrical connection of this product . Before connecting the warming drawer to the electrical mains supply, ensure that the technical data (voltage: V and frequency: Hz) indicated on the rating plate corresponds with those of the mains supply.

We recommend that the appliance is connected by a qualified electrician or competent person.



WARNING: This is a Class I appliance and MUST be earthed.

IMPORTANT: Check that the warming drawer is correctly connected to an approved earth wire to ensure electrical safety. If necessary have it checked by a qualified technician. The manufacturer shall not be held liable for damage to individuals or property due to lack or interruption of the earth wire.

If the plug is disconnected from the electrical power cord, a qualified technician will be required to insert and connect the appliance.

If the warming drawer is connected to the mains with an extension cord. Make sure that the extension cord and the connection are insulated against humidity.

Never open the covering of the warming drawer if you come into contact with wires that carry voltage or if you modify the electrical and mechanical structure of the appliance. It is possible that the warming drawer will malfunction during operation.

Installation, repair and cleaning work are to be carried out only with the machine disconnected from the electrical mains.

When unplugging the appliance, do not pull on the cord. Take hold of the plug.

It is advisable to connect the appliance to the mains with an electrical plug. This will make technical assistance easier should it become necessary. Make sure the plug can be reached after the appliance has been inserted.

If connection is not made by means of an electrical plug, contact an electrician who is knowledgeable of local standards and of any additional regulations issued by the local electric company, and who ensures that work is carried out in compliance with these standards.

If the electrical outlet is no longer accessible after insertion, or if a fixed connection is to be made, the installer must provide a separation device for each pole.

Valid separation devices include switches with a contact opening of at least 3mm.

Data required for connection can be found on the data plate. This information must match the data of the electrical mains.

The manufacturer shall not be held liable for damage to persons or property due incorrect installation, or improper, wrong or ludicrous use of the appliance.

After assembly, all parts of the appliance must be insulated so that no mishaps may occur during operation.



TECHNICAL DATA

Model identification	WRWD60SS / WRWD60BK
Total Power	380-460W
Installation Type	Built-in
Unit Dimensions W x D x H (mm)	595 x 525 x 141
Rated Voltage	220-240V AC
Rated Frequency	50Hz
Protection Type	I

**TROUBLESHOOTING**

IMPORTANT: If your warming drawer appears not to be operating properly, before contacting Customer Services, please refer to the checklist below.

Problem	Possible Cause/s
Dishes are not warm enough.	<ol style="list-style-type: none"> 1. The appliance is not switched on. 2. The right temperature has not been set. 3. The heat outlets have been covered by large plates or bowls. <p>Various factors affect heating time, for example:</p> <ul style="list-style-type: none"> - Material and thickness of dishes, size of load, arrangement of load, temperature setting. - Optimal heating times for dishes are subjective. <p>Therefore, it is advisable to determine them on a trial and error basis according to your own preferences.</p>
Dishes do not get warm.	<ol style="list-style-type: none"> 1. If there is fan noise: the fan is working, but the heating element may be defective. 2. If the fan is not working: it may be defective. 3. The main switch of the electrical system is off. 4. The electrical power cord is unplugged or damaged.
Dishes overheat.	The temperature setting device may be defective.
On/Off switch does not light up when the appliance is switched on.	The control light switch is defective.

DO NOT ATTEMPT TO REPAIR THE WARMING DRAWER YOURSELF

- If an engineer is asked to attend whilst the product is under guarantee and finds that the problem is not the result of an appliance fault, then you may be liable for the cost of the call-out charge.
- The warming drawer must be accessible for the engineer to perform any necessary repair. If your appliance is installed in such a way that an engineer is concerned that damage will be caused to the appliance or your kitchen, then the engineer will not complete a repair. This includes situations where appliances have been tiled in; sealed in with sealant; have wooden obstructions placed in front of the appliance, eg. plinths. Or any installation other than the one specified by KARLSON.
- Please refer to the conditions of guarantee that appear on the warranty card that you receive with the warming drawer.

KARLSON operates a policy of continuous improvement and reserves the right to adjust and modify its products without prior notification.



DECLARATION OF CONFORMITY

(EU) Declaration of Conformity

Name and address of the manufacturer or his authorised representative:

AAUK Ltd

Unit 3 Normandy Landings

Pope Street, Castleford

West Yorkshire

WF6 2AG

This declaration of conformity is issued under the sole responsibility of the manufacturer.

Object of the declaration:

- **Product: 60cm Warming Drawer**
- **Model: WRWD60SS**
- **Model: WRWD60BK**

The object of the declaration described above is in conformity with the relevant Union harmonisation legislation:

- 2014/30/EU Electromagnetic compatibility
- 2014/35/EU Low Voltage Directive
- ROHS Directive 2011 / 65 / EU
- REACH Directive EC No 1907 / 2006

References to the relevant harmonised standards used or references to the other technical specifications in relation to which conformity is declared:

- EN 60335-1:2012+A11:2014+A13:2017+A1:2019+A2:2019+A14:2019
- EN 60335-2-12: 2003+A1+A11+A2
- EN 62233:2008
- AfPS GS 2019:01 PAK
- EK1 527-12 Rev.2
- EN 55014-1:2017+A11
- EN 55014-2:2015
- EN IEC 61000-3-2:2019+A1
- EN 61000-3-3:2013+A1

(UK) Declaration of Conformity

Name and address of the manufacturer or his authorised representative:

AAUK Ltd

Unit 3 Normandy Landings

Pope Street, Castleford

West Yorkshire

WF6 2AG

This declaration of conformity is issued under the sole responsibility of the manufacturer.

Object of the declaration:

- **Product: 60cm Warming Drawer**
- **Model: WRWD60SS**
- **Model: WRWD60BK**

References to the relevant harmonised standards used or references to the other technical specifications in relation to which conformity is declared:

- BS EN 60335-1:2012+A11+A13+A1+A2+A14
- BS EN 60335-2-12:2003+A1+A11+A2
- BS EN 62233: 2008
- BS EN 55014-1:2017+A11
- BS EN 55014-2:2015
- BS EN IEC61000-3-2:2019
- BS EN 61000-3-3:2013+A1



RECYCLING & DISPOSAL



DISPOSAL: Do not dispose this product as unsorted municipal waste. Collection of such waste separately for special treatment is necessary.

This appliance is marked according to the European Directive 2002/96/EC on Waste Electrical and Electronic Equipment (WEEE).

By ensuring this product is disposed of correctly, you will help prevent potential negative consequences for the environment and human health. Which could otherwise be caused by inappropriate waste handling of this product .

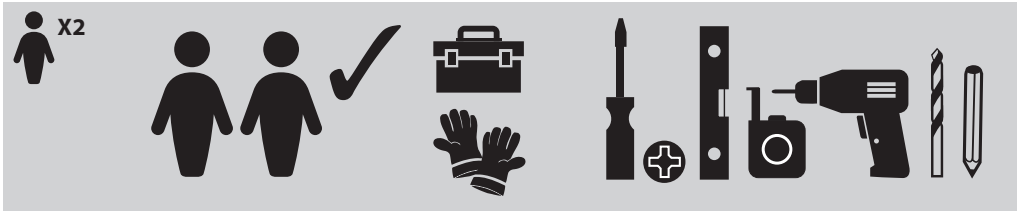
The symbol on the product, or on the documents accompanying this product, indicates that this appliance may not be treated as household waste. Instead it shall be handed to the applicable collection point for the recycling of electrical and electronic equipment.

Disposal must be carried out in accordance with local environmental regulations for waste disposal. For more detailed information about the treatment, recovery and recycling of this product , Please contact your local city office, your household waste disposal or the shop where you purchased the product.

- The packaging materials protect the appliance during transport.
- Recycling of the packaging makes it possible to save raw materials and reduce waste volumes. If you dispose of the packaging yourself, ask local authorities for the location of the nearest collection centre.



WHAT'S REQUIRED FOR INSTALLATION



WHAT'S IN THE BOX



[01] x 1

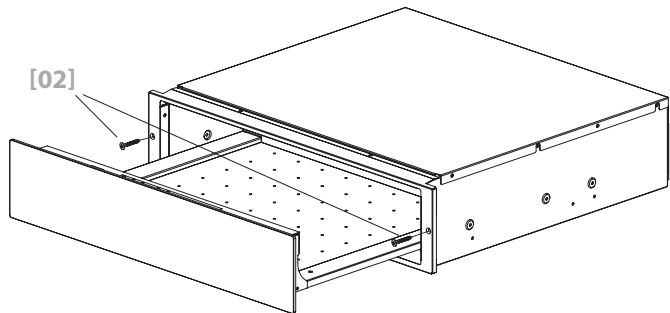


[02] x 2
2.9 x 29mm

01



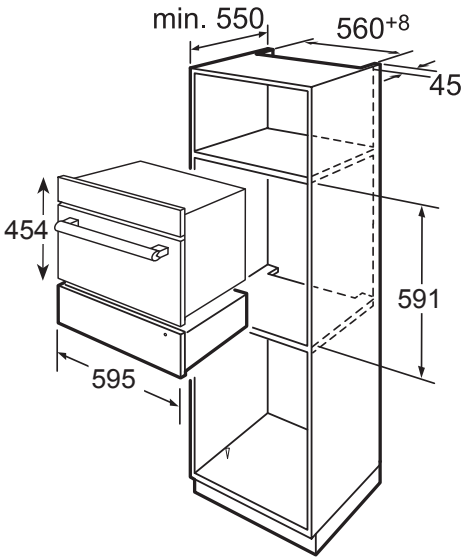
[02] x 2
2.9 x 29mm



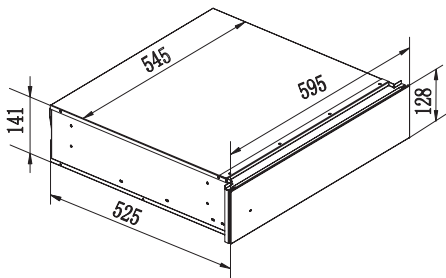
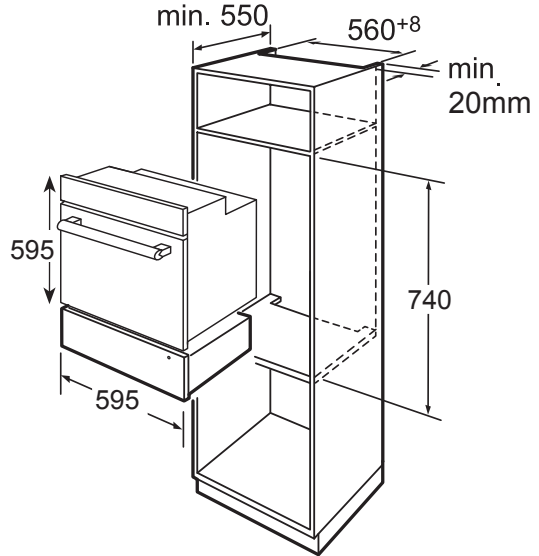


02 CHECK YOUR DIMENSIONS FOR INSTALLATION

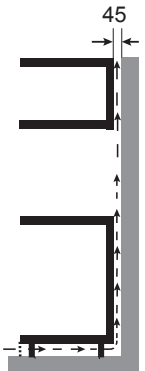
WARMING DRAWER WITH COMPACT OVEN H454mm



WARMING DRAWER WITH OVEN H595mm



- The back panel of the cabinet needs to be removed to allow for ventilation, and cooling inside the cabinet or cupboard to ensure correct operation of the warming drawer and oven.





USING YOUR WARMING DRAWER

Before switching on your warming drawer

- Read this guide, taking special note of the Safety section.
- Remove any protective film that may still be on your warming drawer.

Before first use

When using the warming drawer for the first time:

- Clean the surface with a soft cloth and then dry it.
- Pre-heat the empty drawer for at least 2 hours. Turn the temperature knob to the maximum setting, in order to eliminate any residual grease, oil, or manufacturing resins which may cause unpleasant odours during heating.
- Air out the room.

Upon completion of this operation, the warming drawer is ready to be used for the first time.

Operation of warming drawer

1. Place the dishes in the drawer
2. Select a temperature
3. Turn on the appliance - the switch will light up
4. Close the drawer gently
5. Turn off the appliance before removing the heated dishes.

Load Capacity

Load capacity depends on the height of the appliance and the size of the dishes. The following example is approximate.

Single load of one of the options shown	Approx Size
16 x plates	26cm
24 x soup dishes	22cm
30 x soup bowls	10cm
10 x plates	28cm

Warming Drawer has a maximum weight limit of 25kg

Heating Times

- The time required to heat dishes and glasses etc. depends on several factors:
 - Material and thickness of the dishes
 - Amount of load
 - Arrangement of load
 - Temperature setting

For this reason it is not possible to provide absolute information. It is advisable to determine the best settings for your needs based on practical experience.



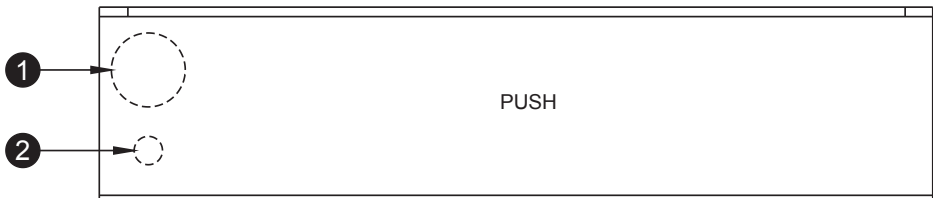
BEFORE YOU START

WARNING: Read the instructions before using the appliance.

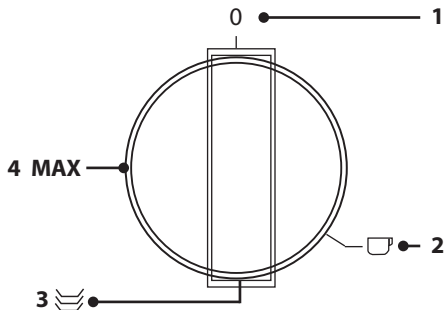
Switch on the appliance at the switched fused connection unit.
The warming drawer is ready for use.

CONTROLS & SETTINGS

01 Controls



- 1. Temperature Selector
- 2. Power Switch



- 1. On/Off Switch
- 2. 40°C Temperature - Cups/Glasses
- 3. 60°C Temperature - Plates
- 4. Max 75°C Temperature - Dishes



02 General Use



- Push the door once to open the drawer.

 **On/Off Switch**

- Turn on the Power Switch (2) on the control panel.
- With the switch pressed in the drawer is on.
- When the switch is released the drawer is off.
- These parts can be seen only when the drawer is open.
- When the drawer is closed, a control light located on the front of the warming drawer lets you see whether the drawer is on.

Temperature Selection

- The Temperature Selector (1) allows you to select a temperature between approximately 30°C and 75°C.
- Turn the Temperature Selector (1) clockwise to select required temperature until it reaches MAX, then turn counter-clockwise to return to Off.
- Do not force it beyond MAX, otherwise the thermostat will be damaged.
- The temperature scale does not show absolute temperatures in °C, but rather symbols that represent the best temperature for respective groups of dishes:

Cups/ Glasses 	40°C Temperature Hot beverages do not cool so rapidly, however cups/glasses can nonetheless be touched without any problem.
Plates 	60°C Temperature Foods placed in these dishes will stay warm longer. Depending on personal sensitivity, plates can be touched without any danger. Use mitts or pan holders as required.
Dishes MAX	Max 75°C Temperature The thermostat is set to the maximum temperature. The dishes can be touched with appropriate mitts or pan holders.



LOOKING AFTER YOUR APPLIANCE

IMPORTANT: Please ensure your warming drawer is disconnected from the electricity supply before cleaning.

Cleaning

- Clean all surfaces with a soft sponge, a bit of detergent and lukewarm water. Then dry with a soft cloth.
- The anti-slip bottom of the drawer can be hand-washed with warm water and a gentle detergent. Dry thoroughly afterwards. Put the anti-slip bottom back in the drawer only when it is completely dry.

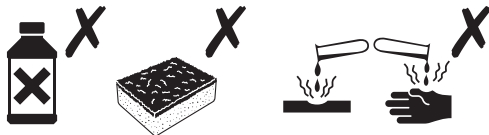
IMPORTANT: The switch, thermostat and grille area MUST NOT BE CLEANED WITH WATER. Any penetration of liquids or other substances into electrically live parts may cause failures or short circuits, creating hazards for the user.

Warming drawer with stainless steel front

- The front of the appliance is easily scratched.
- The steel surfaces should be cleaned with a special non-abrasive product for steel.
- Do not use abrasive products, detergents or soaps.

Never use:

- Undiluted washing-up liquid
- Detergent intended for dishwashers
- Scouring agents
- Harsh cleaning agents such as oven spray or stain remover
- Abrasive sponges
- High-pressure cleaners or steam jet cleaners





AFTER SALES & SERVICE SUPPORT



For after sales, service enquiries & spares support

Please contact: **0333 247 1128**

Monday to Friday: 9am-5pm

Saturday: 9am-1pm

Email enquiries: wrenservice@apelson.co.uk

Dedicated spares online at: karlson.co.uk