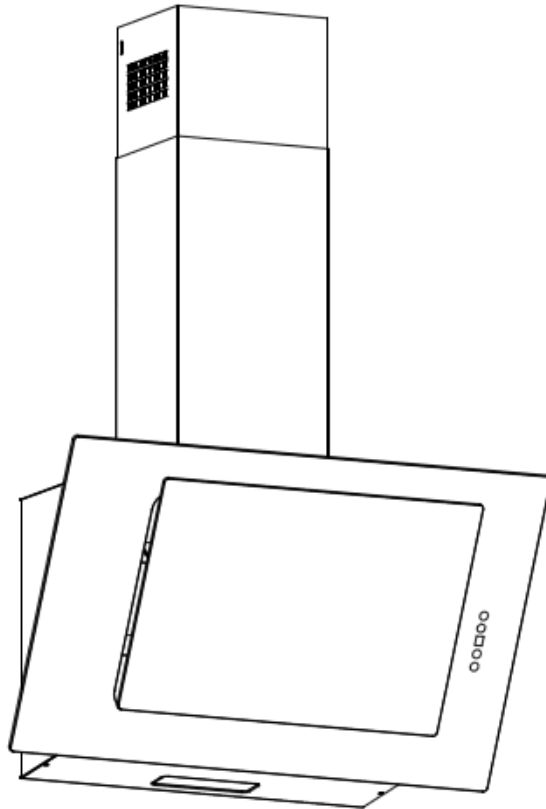


# User Manual

Instruction Manual

Cooker Hood

MODEL:UBAHALO6,UBAHALO7,  
UBAHALO9,AH60AURC





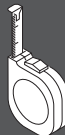
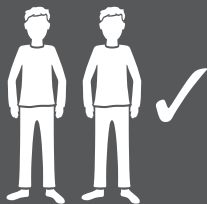
=



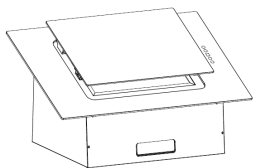
+



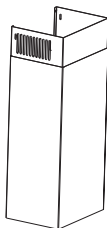
IMPORTANT - Please read carefully the separate safety guide before use.



6mm



[01] x1



[02] x1



[03] x1



[04] x1



[05] x6  
(4 x 32mm)



[06] x6

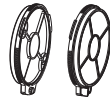


[07] x4  
(3.5 x 10mm)

Not included



VENT PACK (Ø125mm)



CARBFILT4

Preparation	2
Safety	4
Installation	7
Use	17
Care & maintenance	21

# Safety

- ☑ **WARNING:** There is a risk of electric shock and fire if cleaning is not carried out in accordance with these instructions.
- ☑ **WARNING:** Where applicable, this appliance is supplied with fixings. Please ensure you use the correct fixings suitable for the substrate where the appliance will be installed and that they are able to support the weight of the appliance.
- ☑ **WARNING:** Use only the same size of fittings and mounting screws as recommended in this instruction manual. Failure to follow these instructions may result in electrical hazards.
- ☑ **WARNING:** Switch off the appliance at the mains supply before carrying out any maintenance work or cleaning.
- ☑ **CAUTION:** Accessible parts may become hot when used with cooking appliances. Children less than 8 years of age shall be kept away unless continuously supervised. Care should be taken to avoid touching the appliance.
- ☑ **WARNING:** Do not flambé under the hood. To avoid the risk of fire, clean or replace the grease filter regularly and closely monitor pans containing hot oil.
- ☑ **WARNING:** Means for full disconnection must be incorporated in the fixed wiring in accordance with the local wiring installation rules for your country. An all-pole disconnection switch having a contact separation of at least 3mm in all poles should be connected during installation.
- ☑ **WARNING:** When the extractor hood is located above an appliance, the minimum distance between the supporting surface for the cooking vessels on the hob and the lowest part of the hood shall be at least 590mm.

- ✓ **WARNING:** Before connecting the hood, check that the supplied voltage and frequency match with that indicated on the appliance rating plate. Failure to install the appliance in accordance with these instructions may result in a safety hazard. If in doubt, ask for advice instore or from a qualified installer.
- ✓ **WARNING:** Consult local regulations regarding extraction outlets and ensure these are complied with. Do not connect the hood to a ventilation or hot air duct containing combustion fumes from burning gas or other fuels. Confirm that room ventilation is appropriate with the local authorities.
- ✓ **WARNING:** The hood may stop working during an electrostatic discharge (e.g. lightning). This involves no risk of damage. Switch off the electricity supply to the hood and reconnect after one minute.
- ✓ **WARNING:** This appliance can be used by children aged from 8 years and above and persons with reduced physical, sensory or mental capabilities or lack of experience and knowledge if they have been given supervision or instruction concerning use of the appliance in a safe way and understand the hazards involved. Children shall not play with the appliance. Cleaning and user maintenance shall not be made by children without supervision. Keep the appliance and its supply cord out of the reach of children less than 8 years old.
- ✓ If the supply cord is damaged, it must be replaced by the manufacturer, its service agent or similarly qualified persons in order to avoid a safety hazard.

- ☑ Do not install the appliance outdoors in a damp place or in an area which may be prone to water leaks such as under or near a sink unit. In the event of a water leak affecting the appliance, do not use and contact customer services to arrange for inspection.
- ☑ Do not use flammable sprays in close vicinity to the appliance.
- ☑ Please dispose of the packing material carefully. There is a fire risk if cleaning is not carried out in accordance with the instructions. Refer to the Care and Maintenance sections carefully for details on how to clean and replace the aluminium and carbon filters (if fitted).
- ☑ The LED lamps in this appliance are not replaceable by the consumer. If a lamp fails, please contact the customer helpline at the end of Care & maintenance to arrange an engineer visit.
- ☑ Do not use a steam cleaner for care and maintenance.
- ☑ The appliance is not intended to be operated by means of an external timer or separate remote control system.
- ☑ There shall be adequate ventilation of the room when the hood is used at the same time as appliances burning gas or other fuels. Ensure that the negative pressure of the installation site does not exceed 4 Pa (0.04 mbar) to ensure combustion fumes are not drawn back into the room.
- ☑ Do not use the hood if it shows signs of damage or imperfection. Contact customer services for assistance.
- ☑ The manufacturer declines all liability for personal or material damage as a result of misuse or incorrect installation of this appliance.
- ☑ The appliance is for domestic use only as an extractor hood.

# Installation

This appliance must be installed correctly by a qualified person, strictly following the manufacturer's instructions.

**Warning:** Danger of electric shock! The power supply must be cut off before the appliance is installed completely.

Only a qualified person in compliance with the instructions provided can install the appliance. The manufacturer declines all responsibility for improper installation, which may harm persons and animals and cause damage.

Check the package and make sure you have all of the parts listed.

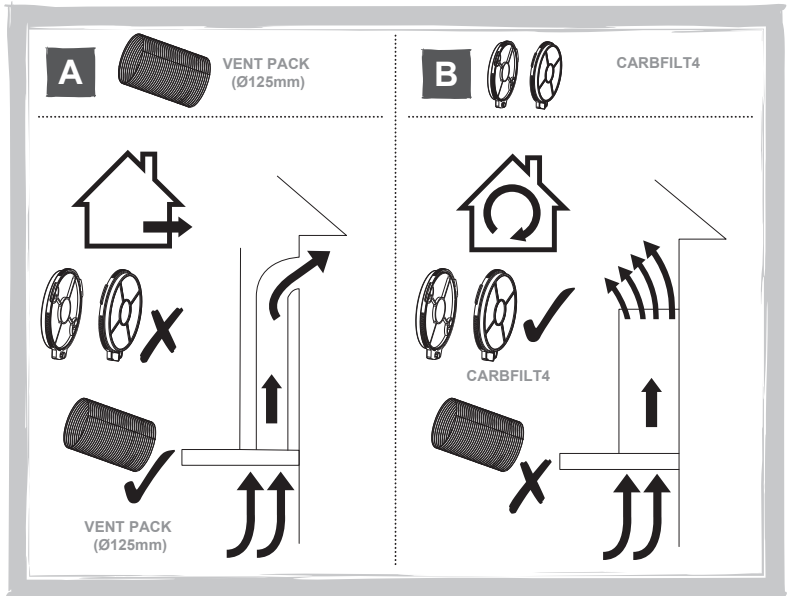
Decide on the appropriate location for your product.

This product contains glass, please take care fitting or handling to prevent personal injury or damage to the product.

**Important:** If the room contains a fuel burning appliance, such as a gas, or oil fired, central heating boiler, which is not of the 'Balanced Flue' type, you should make sure that there is adequate air inlet into the room at all times so that fumes from the boiler are not drawn back into the room by the Cooker Hood.

The specifications plate is available on this appliance. This plate displays all the necessary identification information for ordering replacement parts.

If you sell the appliance, give it away, or leave it behind when you move house, make sure you also pass on this manual so that the new owner can become familiar with the appliance and its safety warnings.

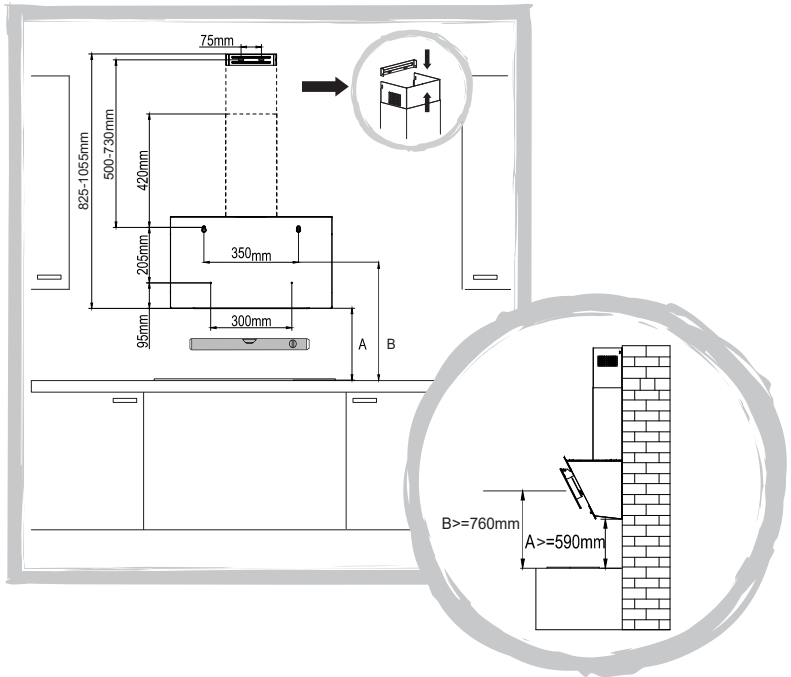


Choose a type of installation: Ducted option **A** (extraction to the outside) or Recirculation option **B** (no extraction to the outside). This appliance is for installation to a wall only.

Beware of sharp metal edges during installation, wear protective gloves when handling the product.



# 02



**Warning:** Caution! Before drilling it is extremely important to check the wall for hidden pipes, electrical cables, etc, using an appropriate detection device.

For safety reasons, use only the same size fixing and screws which are recommended in this instruction manual. Failure to install the appliance in accordance with these instructions may result in electrical hazards.

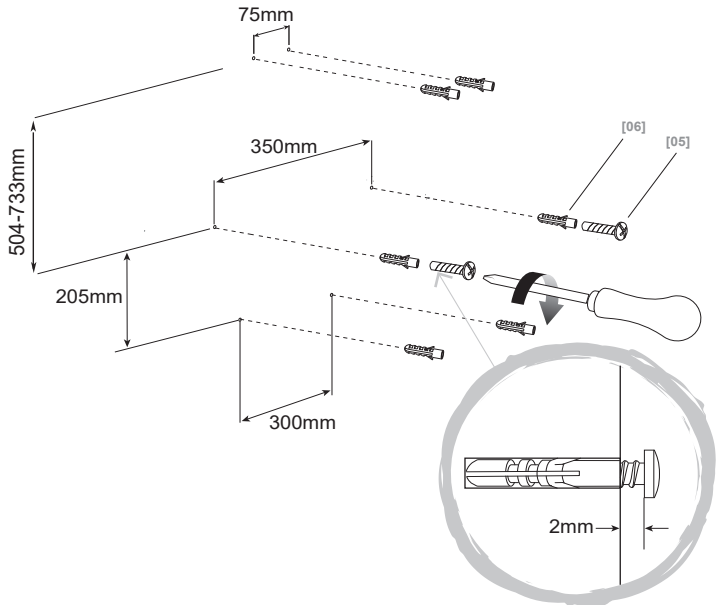
# 03



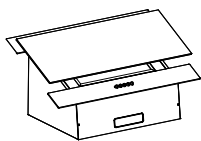
[05] x2



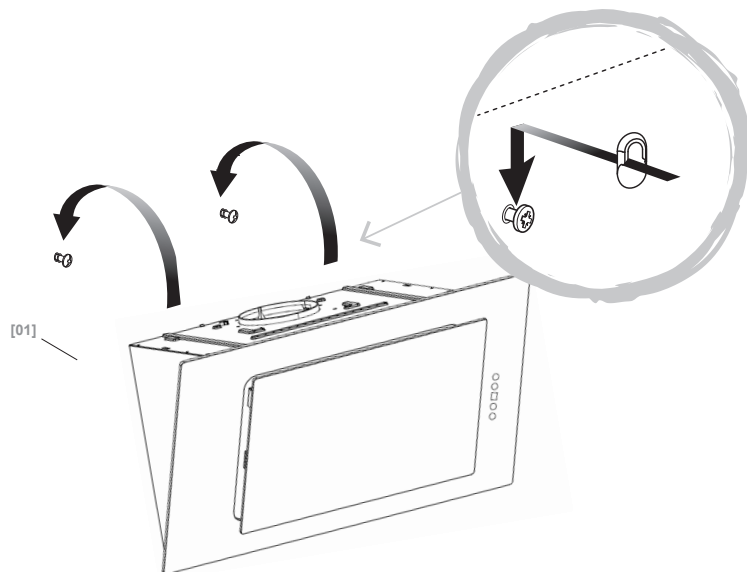
[06] x6



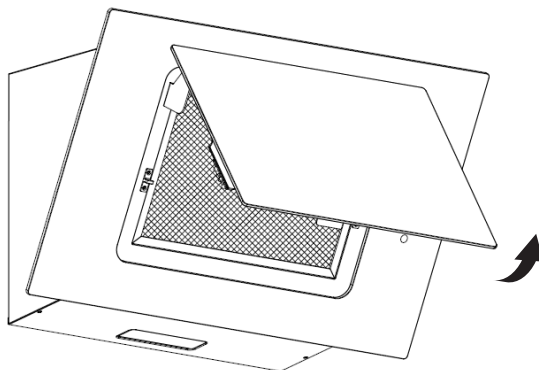
# 04



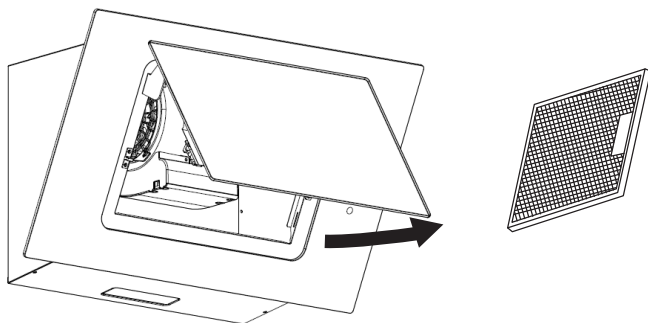
[01] x1



# 05



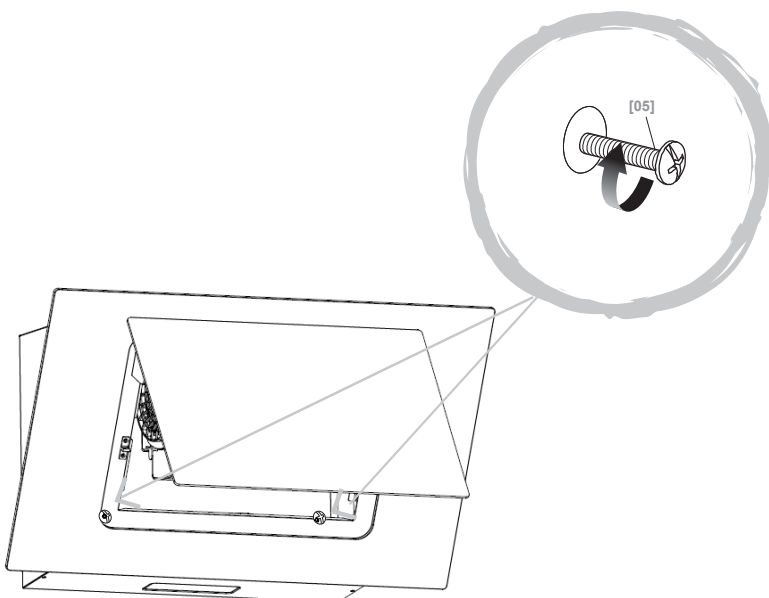
# 06



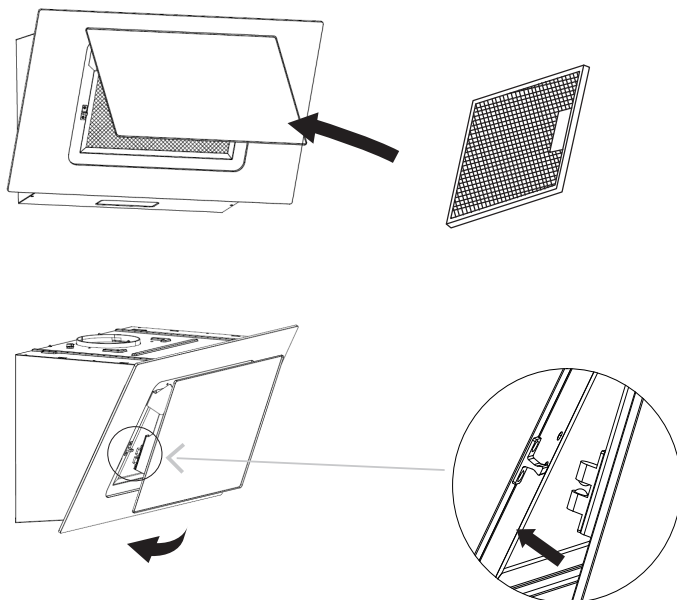
# 07



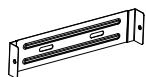
[05] x2



# 08



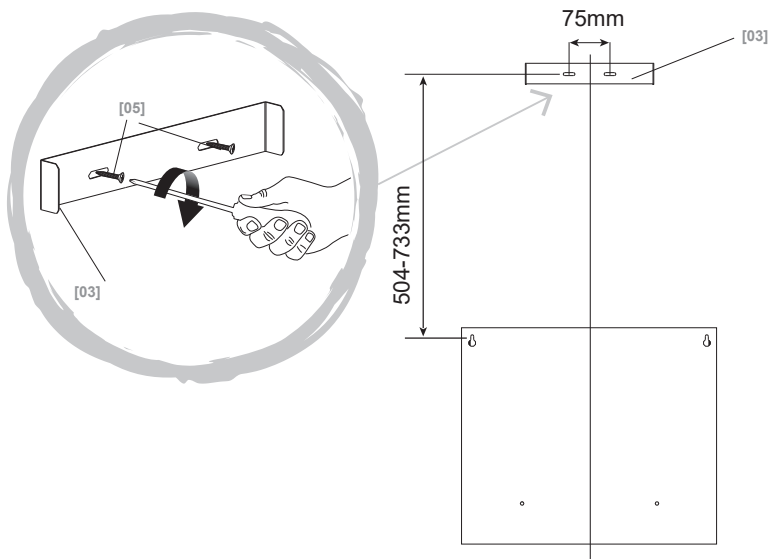
# 09



[03] x1



[05] x2



**A**

Only for ducted option.

**10**

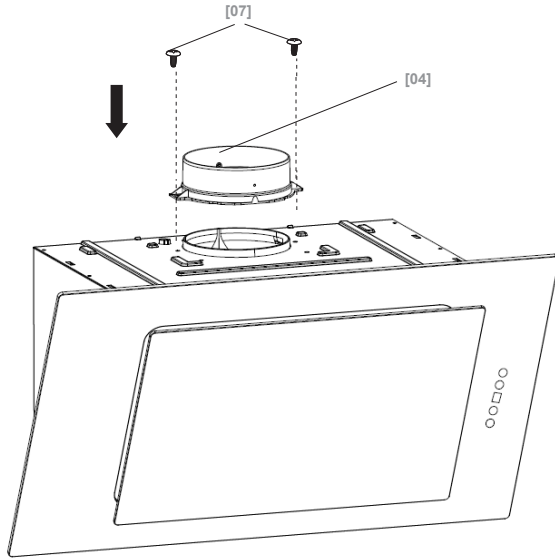
**A**



[04] x1



[07] x2

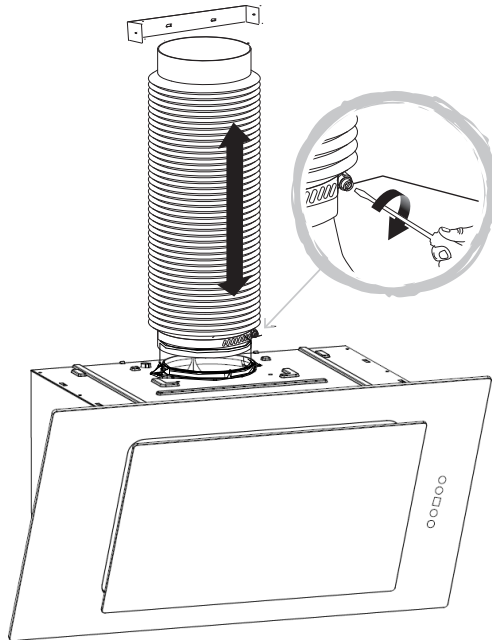


**11**

**A**

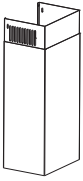


VENT PACK  
(Ø125mm)

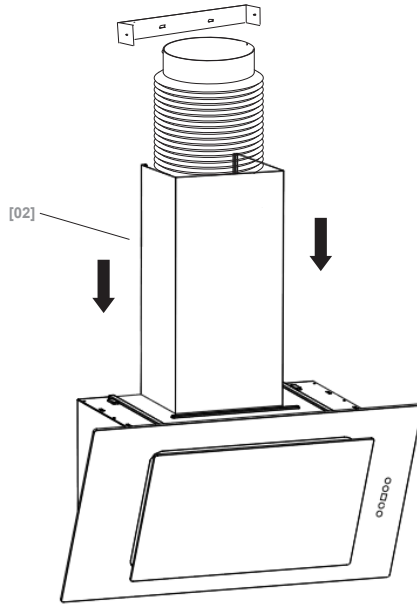


# 12

**A**



[02] x1

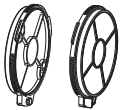


# B

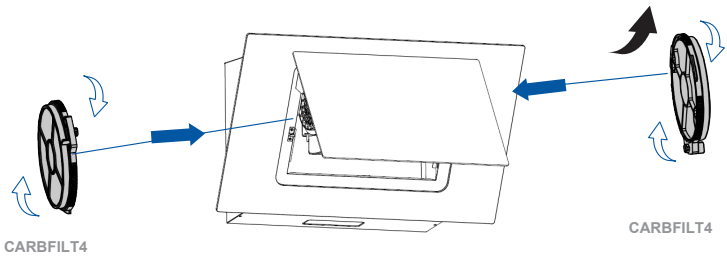
Only for recirculation option.

# 13

**B**



CARBFILT4

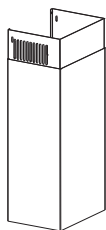


CARBFILT4

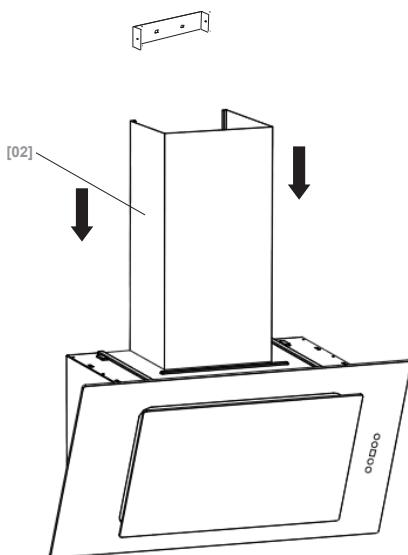
CARBFILT4

# 14

**B**



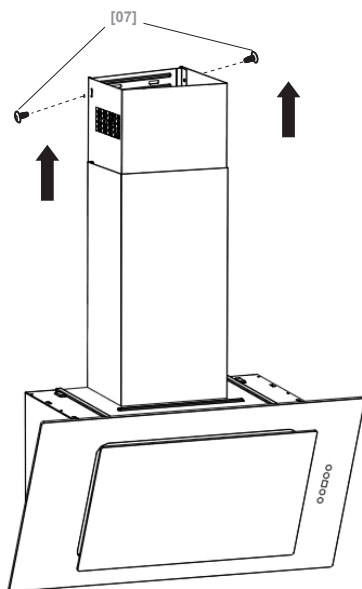
[02] x1



# 15



[07] x2



# Installation

All installation must be carried out by a competent person or qualified electrician. Before connecting the mains supply ensure that the mains voltage corresponds to the voltage on the rating plate.

## Direct Connection

The appliance must be connected directly to the mains using an omnipolar circuit breaker with a minimum opening of 3mm between the contacts.

The installer must ensure that the correct electrical connection has been made and that it complies with the wiring diagram.

The cable must not be bent or compressed.

Regularly check the power plug and power cord for damage. If the supply cord is damaged, it must be replaced by a special cord or assembly available from the manufacturer or its service agent.

**WARNING: This is a Class I appliance and MUST be earthed.**

This appliance should be connected directly to the mains power supply with a 3 Amp fuse protecting its circuit.

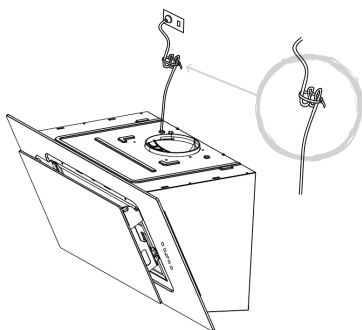
This appliance is supplied with a 3 core mains cable coloured as follows:

Brown = L or Live

Blue = N or Neutral

Green and Yellow = E or Earth ⊕

To avoid the risks that are always present when you use an electrical appliance it is important that this appliance is installed correctly and that you read the safety instructions carefully to avoid misuse and hazards. Please keep this instruction booklet for future reference and pass it on to any future owners. After unpacking the appliance please check that it is not damaged. If in doubt, do not use the appliance but contact Customer Services - see end of Care & Maintenance section for details.



Once the electrical connection point and routing of the mains cable is established ensure that any excess cable is secured in such a way to prevent it falling into the motor housing and damaging the appliance.



## Use

# Before you start

Switch on the appliance at the switched fused connection unit. The appliance is ready for use.













**WARNING:** Read the instructions before using the appliance.

# Function & Settings

## 01 Four-button panel

To obtain the best results from your cooker hood it is recommended that you leave it switched on for up to 15 minutes after you have finished cooking.

	Light On/Off	
	Fan On/Off and Speed Reduction	
	LED Display	
	Speed Increase	
	Timer	

## To Set Up For First Use

Ducted Option  This is the factory default setting if you are extracting air to the outside.



Recirculation Option  This is the option to be used with carbon filters.

1. Press both speed icons   together for 3 seconds, and all icons will flash.

2. Press the Timer button  to enter the Set Up mode. The Timer icon will turn red.

3. Press Speed Increase  or Speed Reduction  to select  or .

4. Press the Timer button  again to confirm the setting and return to the Set Up mode after five seconds.

5. Press and hold both Speed buttons   for three seconds to exit Set Up, or this will happen automatically after five seconds.

## 02 General Use

### Light On/Off

- Use this control to switch the light on independently of the fan motor and the icon will be red.
- When the fan is in use, and the light is off, the icon will be white but will turn red if the light is then switched on.

### Fan On/Off and Speed Reduction

- Press this icon once to turn on the fan motor at speed 1. All icons will be white and the light icon will be red if already in use.
- If the motor is on speed 1, pressing and holding this icon for two seconds will turn off the fan motor.
- As above, the light control is independent of this operation.  
If the motor is higher than speed 1, this will reduce the fan speed with each press of the icon.



### LED Display

- Displays the extraction mode during Set Up or the motor speed from 1-3.

### Speed Increase

- Press this icon once to turn on the fan motor at full power, and 3 will display.
- If the motor is already on speed 1-2, each press of this icon will increase the fan speed accordingly.
- If you press and hold the icon for two seconds, the fan speed will increase to full power and 3 will display.

### Timer

- When the fan motor is on and the Timer icon is pressed, it will be red and the current speed in the display will start to flash.
- The chosen speed level will remain in use for five minutes before dropping down to the next lowest speed. This speed will remain in operation for two minutes before dropping down again. This will be repeated every two minutes unless the speed is already at level 1 and then the fan will turn off. If the light is already on, this will also be turned off.
- Pressing the Speed Reduction icon  or Speed Increase icon  during a current timer program will restart the countdown process again with a five minute cycle.
- If the Timer icon is pressed again during a current timer program, the cycle will be cancelled, the icon will revert to white and the current fan speed will remain on indefinitely.
- The maximum timer program cycle is 9 minutes: 5 minutes on 3 and then 2 minutes each on speed 2 down to speed 1.

# Controlling the cooker hood remotely




**IMPORTANT:** This section is only applicable if you have also purchased a compatible induction hob with Radio Frequency (RF) capability. Contact the Customer Helpline at the end of this manual for compatible models.






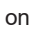

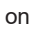
## 01 Before First Use

This cooker hood model and a compatible induction hob model must be paired by Radio Frequency (RF) before remote control can occur. This only needs to be done once. When connected the power output of the induction hob will control the extraction rate of the cooker hood.

## 02 To Set Up Connectivity

1. Make sure that the hob and the hood are switched off.
2. Turn on the hob and make sure the connectivity indicator is lit red. ●  
Note: Touch the connectivity key  on the hob if it is not lit.



3. Turn on the hood, press and hold both Speed icons   together for 3 seconds to enter Set Up mode.
4. Press and hold the Timer icon  and Light icon  together for 3 seconds on the control panel and "A" will flash in the display.
5. Press the keys  and  together on the hob and the connectivity indicator will flash to confirm connection.
6. The control panel of the hood will show "A" for five seconds to indicate connectivity has been made with the hob.
7. Press the keys  and  together on the hob one more time to store the connectivity settings.

## 03 Using the connectivity function



1. Ensure the connectivity indicator is lit on the hob control panel.
2. The extraction rate of the hood will vary based upon the total power output selected on the hob, as shown in the table. Each hob cooking zone has a maximum rated output of 10 comprising 1-9 and Boost (10).

Speed Level of the Hood	Combined Power Output of the Hob
Speed 1	This speed will be selected when there are no more than two cooking zones in use, and the combined output is 8 or less. For example, zone 1 is on 2, and zone 2 is on 5.
Speed 2	This speed will be selected when there are no more than three cooking zones in use, and the combined output is between 9 and 24. For example, zone 1 is on 7, zone 2 is on 6 and zone 3 is on Boost (10).
Speed 3	This speed will be selected when all four cooking zones are in use, or the combined output is between 25 and 38. For example, zone 1 is on 7, zone 2 is on 7, zone 3 is on 9 and zone 4 is on Boost (10).

**Note:**

- The table listed in the compatible hob manual is for guidance only, please refer to this table only for speed control.
- During connectivity, the lamp will be turned on and off simultaneously with the fan.  
If the hood controls are manually overridden when the hob and hood are linked, the hood will operate for five minutes on this manual setting before returning to control by the hob.
- To reconnect the hood and hob immediately, turn off the fan and the hood will automatically reconnect to the hob again.

#### **04 Stopping the connectivity function**

1. Touch the connectivity key  on the hob, the indicator light will go out and the link will be dropped. To reconnect again, press the connectivity key  on the hob again.
2. If the hob is switched off, the hood will continue to operate independently in Timer mode and the current speed will flash. The current speed level of the hood will continue for 5 minutes and step down for 2 minutes at each level until finally switching off.

## Care & maintenance

### 01 Lamp replacement

The LED lamps in this appliance are not replaceable by the consumer. If a lamp fails, please contact the customer helpline at the end of Care & maintenance to arrange an engineer visit.

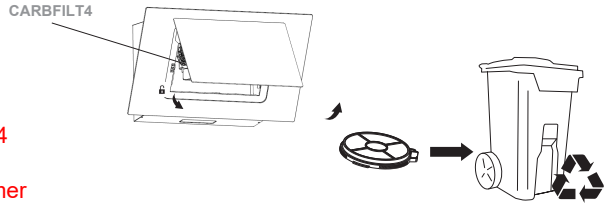
### 02 Carbon filter replacement



Replace every three months.



**3 MONTHS**

2 x Carbon filters, **part number 02859394 (CARBFILT4)** can be ordered online at [www.spareszone.co.uk](http://www.spareszone.co.uk) or via the customer helpline - see end of Care & maintenance section for details.



If the motor is off, and after the fan has been in operation for approximately 150 hours, the display will show  and the Timer will flash red to advise you to replace the carbon filters. After replacing the filters, reset the alert by pressing the Timer .



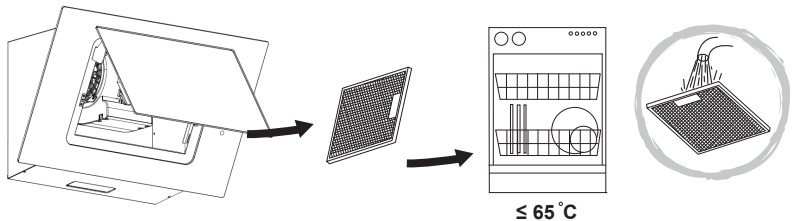
**WARNING:** Always switch off the electrical supply before carrying out maintenance work on the hood. In the event of a fault, contact customer services.



### 03 Aluminum grease filter cleaning

To avoid fires, clean thoroughly once a month. To do so, remove the filters and soak in hot water and detergent for an hour. If using a dishwasher, position the filters vertically to improve the cleaning process.



**1 MONTH**



If the motor is off, and after the fan has been in operation for approximately 50 hours, the display will show  and the Timer will flash red to advise you to clean the aluminum grease filters. After cleaning the filters, reset the alert by pressing the Timer .



**WARNING:** Increase the filter cleaning/replacement frequency if the hood is used for more than 2 hours a day. Always use genuine filters from the manufacturer.

**Note:** For electrical connection see Technical and legal information section

## **Customer Service**

If your product breaks down. To arrange an in guarantee service call, please contact customer services on the following numbers.

### **UK and N.Ireland**

**T: 0344 800 1128 E: [uksupport@apelson.co.uk](mailto:uksupport@apelson.co.uk)**

**[www.spareszone.co.uk](http://www.spareszone.co.uk)**

### **Republic of Ireland (ROI)**

**T: 014475261 E: [uksupport@apelson.co.uk](mailto:uksupport@apelson.co.uk)**





Apelson Appliances UK  
Ltd Unit 3 Normandy  
Landings Pope Street  
Castleford  
WF6 2AG  
United Kingdom

---