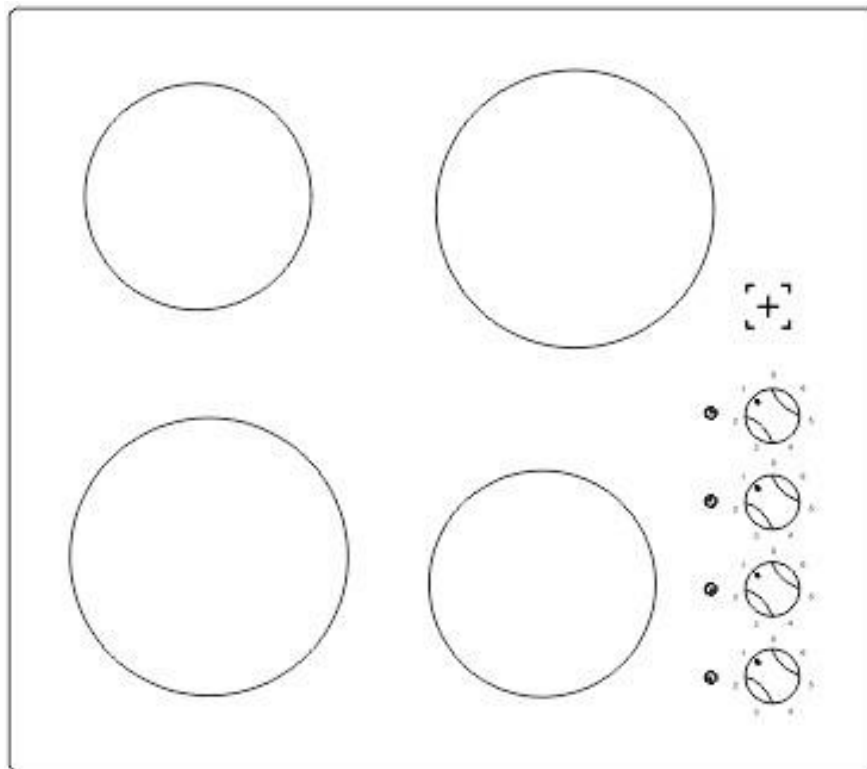


# User Manual

## UBTCC60KC

### Built-in ceramic hob





## Warning

- 1) The appliance is not to be used by persons (including children) with reduced physical, sensory or mental capabilities, or lack of experience and knowledge, unless they have been given supervision or instruction. children being supervised not to play with the appliance.
- 2) **WARNING:** If the surface is cracked, switch off the appliance to avoid the possibility of electric shock, for hob surfaces of glass-ceramic or similar material which protect live parts.
- 3) **WARNING:** a steam cleaner is not be used .
- 4) That the appliance is not intended to be operated by means of external timer or separated remote-control system.
- 5) **Danger of fire:** Do not store items on the cooking surfaces.
- 6) **CAUTION:** The cooking process has to be supervised. A short term cooking process has to be supervised continuously.
- 7) If the supply cord is damaged, it must be replaced by the manufacturer, its service agent or similarly qualified persons in order to avoid a hazard.
- 8) This appliance can be used by children aged from 8 years and above and persons with reduced physical, sensory or mental capabilities or lack of experience and knowledge if they have been given supervision or instruction concerning

## Warning

use of the appliance in a safe way and understand the hazards involved. children shall not play with the appliance. cleaning and user maintenance shall not be made by children without supervision.

9) **WARNING:** The appliance and its accessible parts become hot during use.

10) Care should be taken to avoid touching heating elements.

11) Children less than 8 years of age shall be kept away unless continuously supervised.

12) **WARNING:** Unattended cooking on a hob with fat or oil can be dangerous and may result in fire.

13) **NEVER** try to extinguish a fire with water, but switch off the appliance and then cover flame e.g. with a lid or a fire blanket.

14) **WARNING:** Danger of fire: do not store items on the cooking surfaces.

15) **WARNING:** Use only hob guards designed by the manufacturer of the cooking appliance or indicated by the manufacturer of the appliance in the instructions for use as suitable or hob guards incorporated in the appliance. The use of inappropriate guards can cause accidents.


16) Power cord can't accessible after installation.

## Contents

<b>Environmental note</b>	4
<b>Important safety information</b>	5 – 7
<b>Specifications</b>	8 – 9
Product and aperture dimensions	8
Product specifications	8
Electrical details	9
Ceramic cooktop surface layout	9
<b>Using the ceramic cooktop</b>	10 - 12
Before first use	10
Touch controls	10
Switching on a cooking zone and setting a power level	10
Residual heat indicator	11
Cooktop guidelines	11-12
<b>Cleaning and maintenance</b>	12 - 13
Cleaning the ceramic cooktop	12
After each use	12
Cleaning table	13
Using a ceramic cooktop scraper	13
Using a specialist ceramic cooktop cleaner	13
<b>Installation</b>	14 - 19
Positioning	14
Unpacking the appliance	14
Installing the appliance	15-16
Electrical connection	17
Connecting the mains supply cable	17-18
Replacing the mains supply cable	19
<b>My appliance isn't working correctly</b>	20 – 21

## Environmental note

**This appliance is marked according to the European directive 2002/96/EC on Waste electrical and Electronic Equipment (WEEE). By ensuring this product is disposed of correctly, you will help prevent potential negative consequences for the environment and human health, which could otherwise be caused by inappropriate waste handling of this product.**

The symbol  on the product, or on the documents accompanying the product, indicates that this appliance may not be treated as household waste. Instead it shall be handed over to the applicable collection point for the recycling of electrical and electronic equipment.

**Disposal must be carried out in accordance with local environmental regulations for waste disposal.**

**For more detailed information about treatment, recovery and recycling of this product, please contact your local city office, your household waste disposal service or the shop where you purchased the product.**



- The packaging materials that Iberna uses are environmentally friendly and can be recycled.
- Please discard all packaging material with due regard for the environment.

## Important safety information



Your safety is of the utmost importance to Iberna. Please make sure that you read this instruction booklet **before** attempting to install or use the appliance. If you are unsure of any of the information contained in this booklet, please contact the retailer where you purchased your unit.

### General Information

- This appliance is designed for domestic household use and for the cooking and frying of domestic foodstuffs.
- **IMPORTANT:** *The adjacent furniture and all materials used in the installation **must** be able to withstand a minimum temperature of 85°C above the ambient temperature of the room it is located in, whilst in use.*
- Certain types of vinyl or laminate kitchen furniture are particularly prone to heat damage or discolouration at temperatures below the guidelines given above.
- Any damage caused by the appliance being installed in contravention of this temperature limit, **will be the liability of the owner.**
- Your new appliance is guaranteed against electrical or mechanical defects, subject to certain exclusions that are noted in the manufacturer's Conditions Of Guarantee. The foregoing does not affect your statutory rights.
- The use of this appliance for any other purpose or in any other environment without the express agreement of the manufacturer will invalidate any warranty or liability claim.
- You should not use this appliance to store items on or as a work surface.
- No modifications to the appliance are permitted by the manufacturer.
- You should not store or place flammable or highly flammable liquids/materials on top of or near the appliance. Items made from aluminium, plastic or plastic film should also be kept away from the appliance, as they may fuse to the surface.

- ***Repairs may only be carried out by authorised service engineers or their authorised service agents.***

### **Child Safety**

- The manufacturer strongly recommends that babies and young children are prevented from being near to the appliance and not allowed to touch the appliance **at any time**. During and after use, all surfaces will become hot.
- If it is necessary for younger family members to be in the kitchen, please ensure that they are kept under close supervision at all times.
- Older children should only be allowed to utilise the appliance when supervised.

### **General Safety**

- ✓ The appliance should only be installed and connected by a suitably qualified person.
- ✓ Care should be taken to ensure that the units and work surfaces that you build the appliance into, meet with the relevant standards.
- ✓ If you notice any scratches, splits or cracks in the ceramic glass, you should immediately switch off the appliance and disconnect it from your mains supply. Otherwise there is the risk of electric shock occurring.
- This appliance is not intended for use by persons (including children) with reduced physical, sensory or mental capabilities, or lack of experience and knowledge, unless they have been given supervision or instruction concerning use of the appliance by a person responsible for their safety.

### **During use**

- ✓ Any film or stickers that are present on the cooktop surface when it is delivered should be removed before use.
- ✓ Care should be taken when utilising the appliance, otherwise there is a risk of burns being caused.
- You should not allow the electrical connection cables to come into contact with the cooktop surface when it is hot or any hot cookware.
- If fat and oil overheats, then it can ignite extremely quickly. For this reason, when cooking with fat and oil the appliance should not be left unattended.



- ✓ Make sure that all of the cooking zones are switched off after use.

## **Cleaning**

- Cleaning of the cooktop should be carried out on a regular basis.
- **IMPORTANT:** *Before attempting to clean the appliance, it should be disconnected from the mains and allowed to cool.*
- Great care should be taken whilst using this appliance and when following the cleaning procedure.
- You should not use a steam jet or any other high pressure cleaning equipment to clean the appliance.

## **Installation**



***This appliance must be correctly installed by a suitably qualified person, strictly in accordance with the manufacturer's instructions. Please see the specific section of this booklet that refers to installation.***

- ***The manufacturer declines any responsibility for injury or damage, to person or property, as a result of improper use or installation of this appliance.***

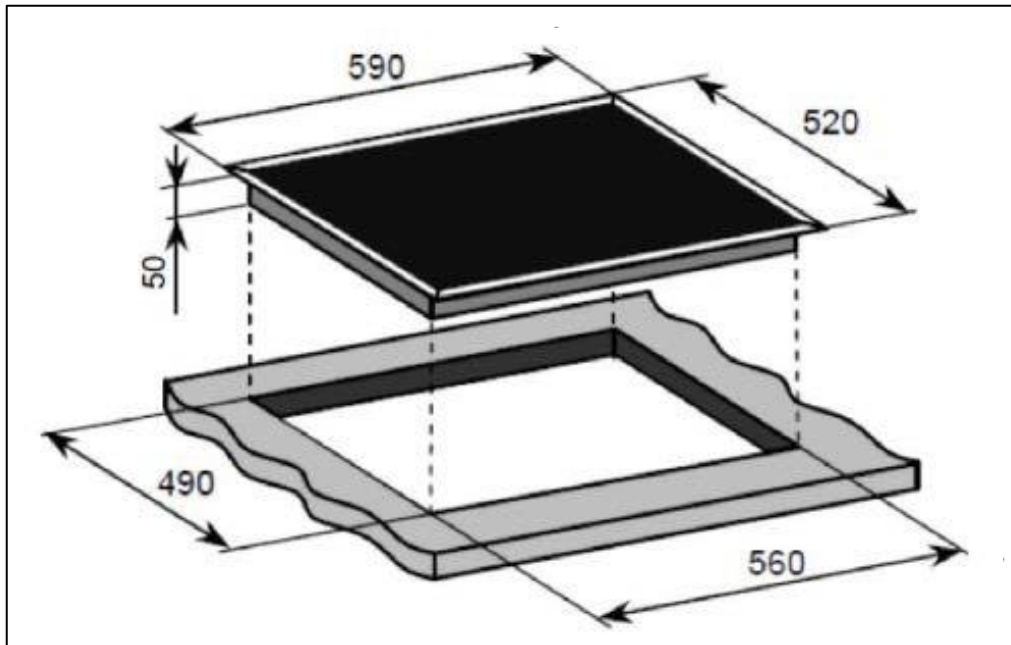
## **Declaration of conformity**

- The manufacturer declares that the cooktop is built using certified materials and requires the appliance to be installed in accordance with the standards currently in force. This appliance must be used by a trained person for domestic purposes only.

## **To avoid damaging your appliance**

- The ceramic glass can be damaged by objects falling onto it.
- The ceramic glass edge can be damaged by knocks from cookware.
- Cast iron and cast aluminium cookware with damaged bases may scratch the ceramic surface if they are dragged across it.
- Pans should be lifted on and off the cooktop surface and not dragged.
- Cooking zones should not be switched on without cookware placed on it. Also the cookware should not be empty.

## Specifications



### Product dimensions

Depth: 520 mm  
Width: 590 mm  
Height: 50 mm

### Aperture dimensions

Depth: 490 mm  
Width: 560 mm

### Product specifications:

- 2 x 1.80 kW radiant zones (Ø 190 mm)
- 2 x 1.20 kW radiant zones (Ø 155 mm)
- Knob control operation
- 4 individual residual heat indicators
- Frameless

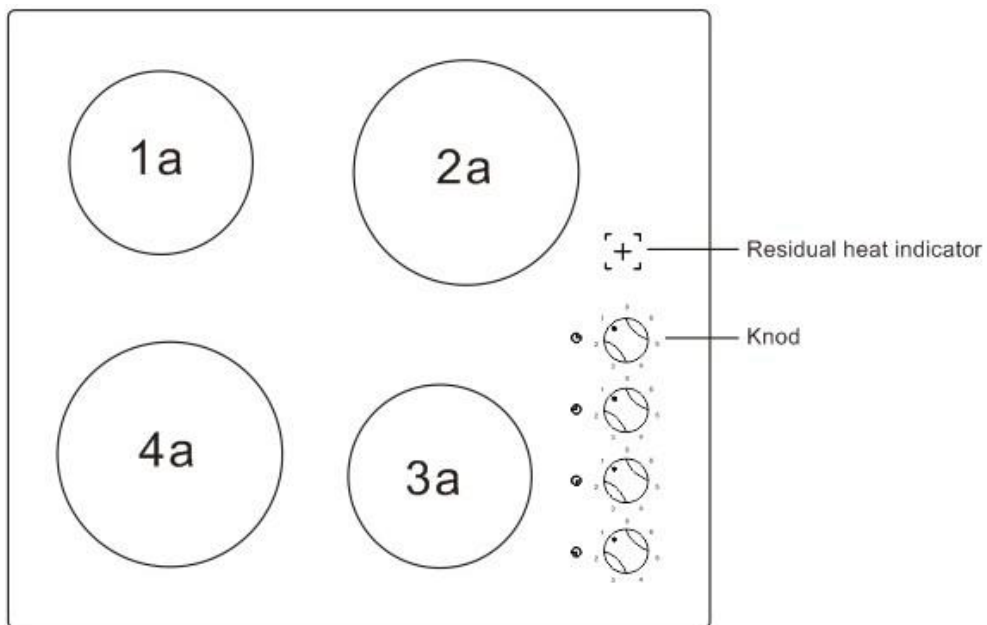
### Standard accessories

- Ceramic hob scraper

## Electrical details

<b>Rated Voltage:</b>	220-240V~/380-415V 2N~ 50/60 Hz
<b>Supply Connection:</b>	30A
<b>Max Rated Inputs:</b>	6.0 kW
<b>Mains Supply Lead:</b>	5 core x 1.5 mm <sup>2</sup>

## Ceramic cooktop surface layout



1a	=	1.20 kW zone (Ø 155 mm)
2a	=	1.80 kW zone (Ø 190 mm)
3a	=	1.20 kW zone (Ø 155 mm)
4a	=	1.80 kW zone (Ø 190 mm)

## Using the ceramic cooktop

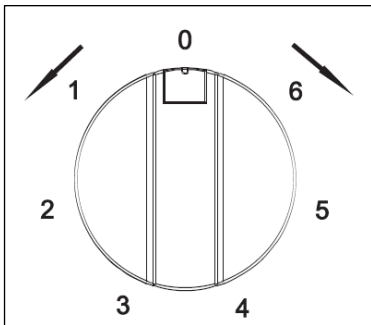
### Before first use



**IMPORTANT:** You should clean the ceramic cooktop surface (see "Cleaning and maintenance" section).

- You should switch on one cooking zone at a time, for 5 minutes at the maximum setting. This will help to eliminate any new smell that exists and evaporate any humidity that has formed on the heating elements during transit.
- Do not burn off more than one zone at once.
- **You must** place a saucepan filled half full with cold water on each cooking zone as you burn it off.

### Control knobs

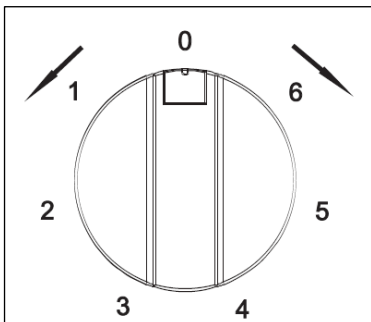


- All operations are performed by means of the 4 control knobs that can be found on the right hand side of the hob top.
- The control knob should be turned anti-clockwise or clockwise to select a heating level. The numbers around the outside of each control knob indicate the power level that you have set the zone to.



- A marking next to each control knob indicates which cooking zone that it controls. For example, this image (left) indicates the top left heating zone.

### Switching on a cooking zone and setting a power level



- Turn the control knob of the cooking zone that you wish to cook on. The control knob can be turned anti-clockwise or clockwise.
- The lower numbers (1-3) indicate the cooler cooking zone temperatures and

the higher numbers (4-6) indicate the hotter cooking zone temperatures.

- ***When you have finished cooking, make sure that you turn the control knob to the OFF position ("0").***

### **Residual heat indicator**

- The residual heat indicator is located above the control knobs.



- After a zone is switched off, the corresponding cooking zone residual heat indicator will illuminate. This means that the temperature of the zone is over 50°C and is therefore still high enough to cause injury.
- The residual heat indicator will go out after the temperature of the zone falls below 50°C.
- ***IMPORTANT:*** *The residual heat indicator will disappear if the mains supply to the product is cut.*
- ***IT IS STILL POSSIBLE TO BURN YOURSELF ON A HOB ZONE, EVEN WHEN THE RESIDUAL HEAT INDICATOR HAS GONE OUT. USE CAUTION WHEN USING THE HOB.***

### **Cooktop guidelines**

- The first few times the cooktop is used, it may give off an acrid, burning smell. This smell will disappear completely with repeated use.
- The cooktop surface is fitted with cooking areas of different diameter and power.
- The positions where the heat will radiate from are clearly marked on the cooktop. The saucepans must be positioned exactly on these zones for efficient heating to occur. Pans should have the same diameter as the cooking zone that they are being used on.
- You should not use saucepans with rough bottoms, as this can scratch the ceramic surface.
- Before use, make sure that the bottoms of the saucepans are clean and dry.
- When cold, the bottom of the pans should be slightly concave, as they expand when hot and lie flat on the surface of the cooktop. This will allow the heat to transfer more easily.

- The best thickness for the bottom of the pans is 2 – 3 mm of enamelled steel and 4 – 6 mm for stainless steel with sandwich type bottoms.
- If these rules are not followed, then there will be a great loss of heat and energy. Heat not absorbed by the saucepan, will spread to the cooktop, frame and surrounding cabinets.
- Preferably cover pans with a lid to permit cooking at a lower heat.
- Always cook vegetables and potatoes, etc. in as little water to reduce cooking times.
- Food or liquid that has high sugar content may damage the cooktop if it comes into contact with the ceramic cooktop surface. Any spillages should be wiped up immediately, however this may not prevent the cooktop surface from becoming damaged.
- **IMPORTANT:** *The ceramic cooktop surface is tough; however it is not unbreakable and can be damaged. Especially if pointed or hard objects are allowed to fall on it with some force.*
- **DO NOT USE THE COOKTOP IF THE SURFACE BECOMES BROKEN OR CRACKED. YOU SHOULD CONTACT THE CUSTOMER CARE DEPARTMENT IMMEDIATELY.**

## Cleaning and maintenance



***Cleaning operations must only be carried out when the cooktop is cool.***

***The appliance should be disconnected from your mains supply before commencing any cleaning process.***

### Cleaning the ceramic cooktop



Any residues that are left on the cooktop surface from cleaning agents **will** damage it. You should remove any residues with warm water mixed with a little washing up liquid.



Abrasive cleaners or sharp objects will damage the cooktop surface; you should clean it using warm water mixed with a little washing up liquid.



Although it is easier to clean some deposits whilst the cooktop surface is still warm, you should take care not to burn yourself if cleaning the cooktop surface when it is still warm.

## After each use

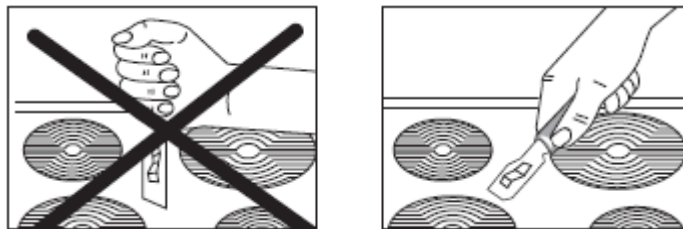
- Wipe the appliance over with a damp cloth.
- Dry the appliance by rubbing the surface with a clean cloth.

## Cleaning table

<b><i>Type of deposit</i></b>	<b><i>Remove Immediately?</i></b>	<b><i>Remove when the appliance has cooled down?</i></b>	<b><i>What should I use to remove the deposit?</i></b>
Sugar or food/liquid containing sugar	Yes	No	Ceramic cooktop scraper
Tin foil or plastic	Yes	No	Ceramic cooktop scraper
Fat splashes	No	Yes	Ceramic cooktop cleaner
Metallic discolouration	No	Yes	Ceramic cooktop cleaner
Water splashes or water rings	No	Yes	Ceramic cooktop cleaner

## Using a ceramic cooktop scraper

The following guidelines should be followed when using a ceramic cooktop scraper:-



- The scraper should be placed on the ceramic surface at an angle.
- Residues should be removed by sliding the blade carefully over the ceramic surface.
- The ceramic surface should be wiped with a damp cloth that has been placed in warm water mixed with a small amount of washing up liquid.
- Dry the appliance by rubbing the surface with a clean cloth.

## Using a specialist ceramic cooktop cleaner

It is possible to purchase a specialist ceramic cooktop cleaner/conditioner.

You should follow the instructions given by the manufacturer of the specialist ceramic cooktop cleaner. You should ensure that it is suitable for use on your appliance.

## Installation



***The installation must be carried out by a suitably qualified person, in accordance with the current version of the following.***

- ***AS/NZS 3000: 2007 Wiring Regulations***
- ***2010 Electricity Safety Regulations***

## Positioning



***The adjacent furniture must be able to withstand a minimum temperature rise of 85°C above the ambient temperature of the room it is located in, during periods of use.***

This appliance is to be built into a kitchen unit (depending on size) or 600 mm worktop that is at least 30 mm thick. The following minimum clearance distances must be observed:-

- 700 mm between the cooktop surface and the underside of any horizontal surface above it.
- 65 mm clearance around the front and sides of the appliance, and 100 mm clearance at the back of the appliance, measured from the cut out, providing the material next to the cooktop is made of a non-combustible material.
- If the cooktop is positioned so that the right or left hand side of the appliance will be near to the edge of a kitchen unit. There must be a gap of at least 100 mm between the side of the cooktop and the vertical surface of the kitchen unit.

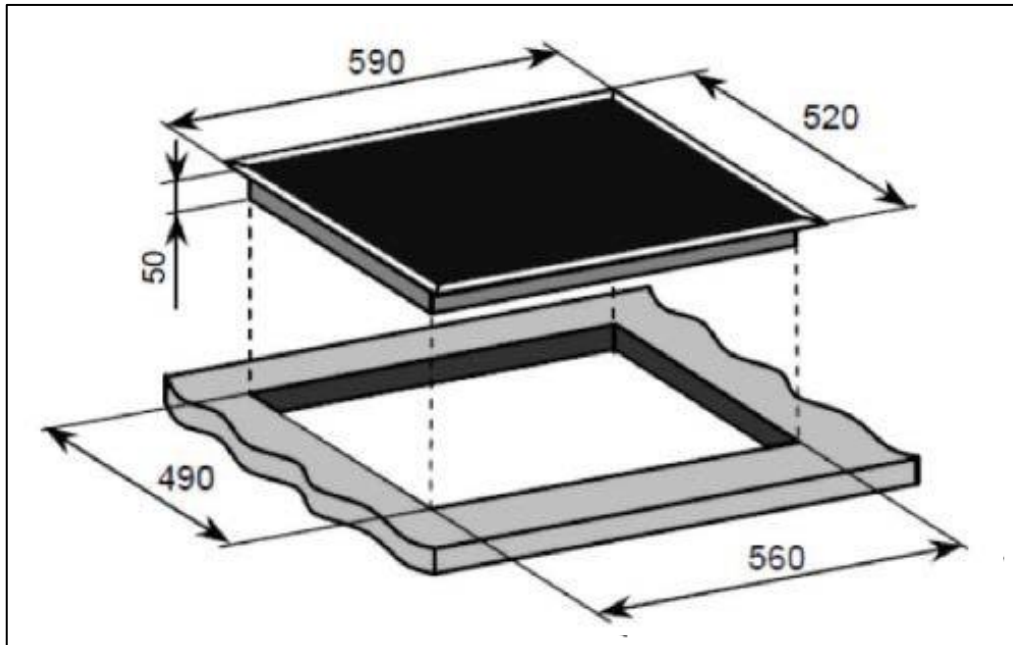
## Unpacking the appliance

When unpacking the appliance please check that the following items are contained within the packaging:-

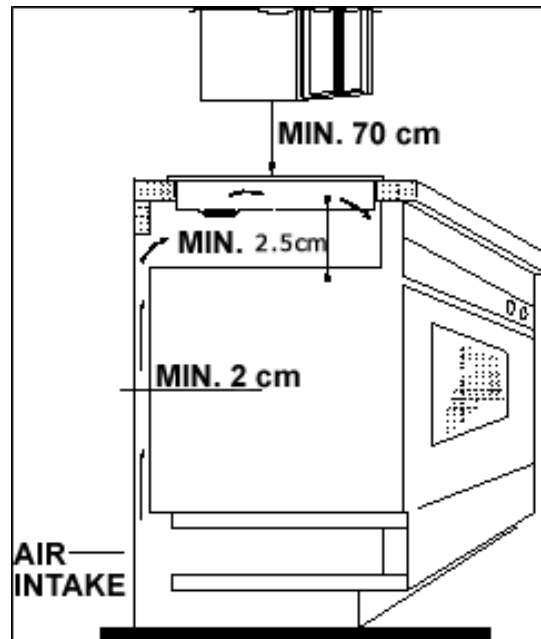
- 1 Cooktop
- 1 Installation and instruction manual
- 1 Guarantee card
- 4 Fixing brackets
- 4 Fixing screws
- 1 Sealing strip



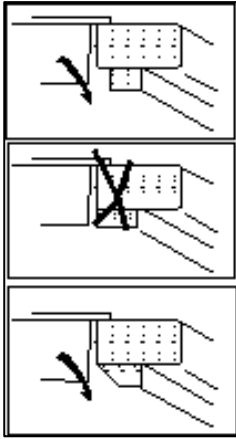
## Installing the appliance



- Cut a hole in the worktop that corresponds with the relevant drawing shown above.



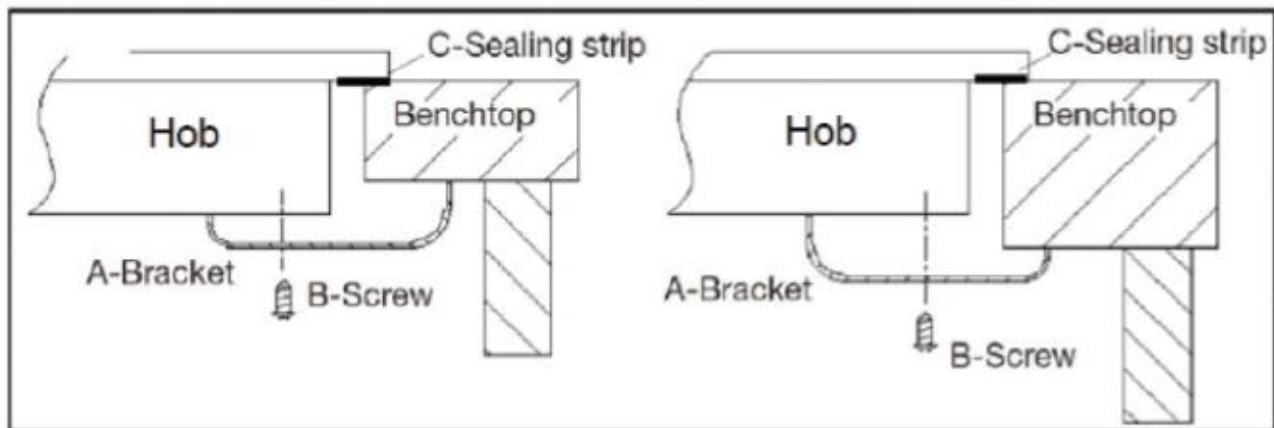
- **IMPORTANT:** You must observe the ventilation requirements shown in the drawing above.



- **IMPORTANT:** There are ventilation holes around the outside of the cooktop. YOU MUST ensure that these holes are not blocked by the work top, when you put the cooktop into position (see drawing opposite).
- NOTE: Your appliance comes fitted with a sealing strip already attached to the underside of the cooktop. This should not be removed as it will prevent liquid or spillages from penetrating the underneath of the cooktop.

- **IMPORTANT:** Do not use a silicon sealant to seal the appliance against the aperture. This will make it difficult to remove the cooktop from the aperture in future, particularly if it needs to be serviced.

- Carefully lower it into the aperture hole that you have cut out.



- (A) Bracket
- (B) Screw
- (C) Sealing strip

- Place the clamp (A) over the holes that match the size of the screws. There are one set of screw holes in each corner of the

cooktop. Slightly tighten a screw **(B)** through the clamp **(A)** so that the clamp is attached to the cooktop, but so that you can still adjust the position of it.

- On the underneath of the cooktop, adjust the clamps into a position that is suitable for your worktop. Then fully tighten the screws **(B)** to secure the cooktop into position.

### Electrical connection



***This appliance must be installed by a qualified person in accordance with the latest edition of the Regulations currently in force and in compliance with the manufacturer's instructions.***

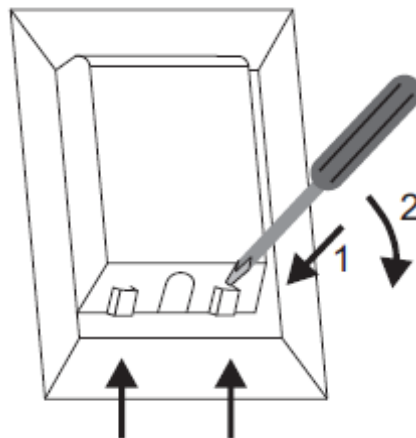
- ***AS/NZS 3000: 2007 Wiring Regulations***
- ***2010 Electricity Safety Regulations***

Before connecting the appliance, make sure that the supply voltage marked on the rating plate corresponds with your mains supply voltage.

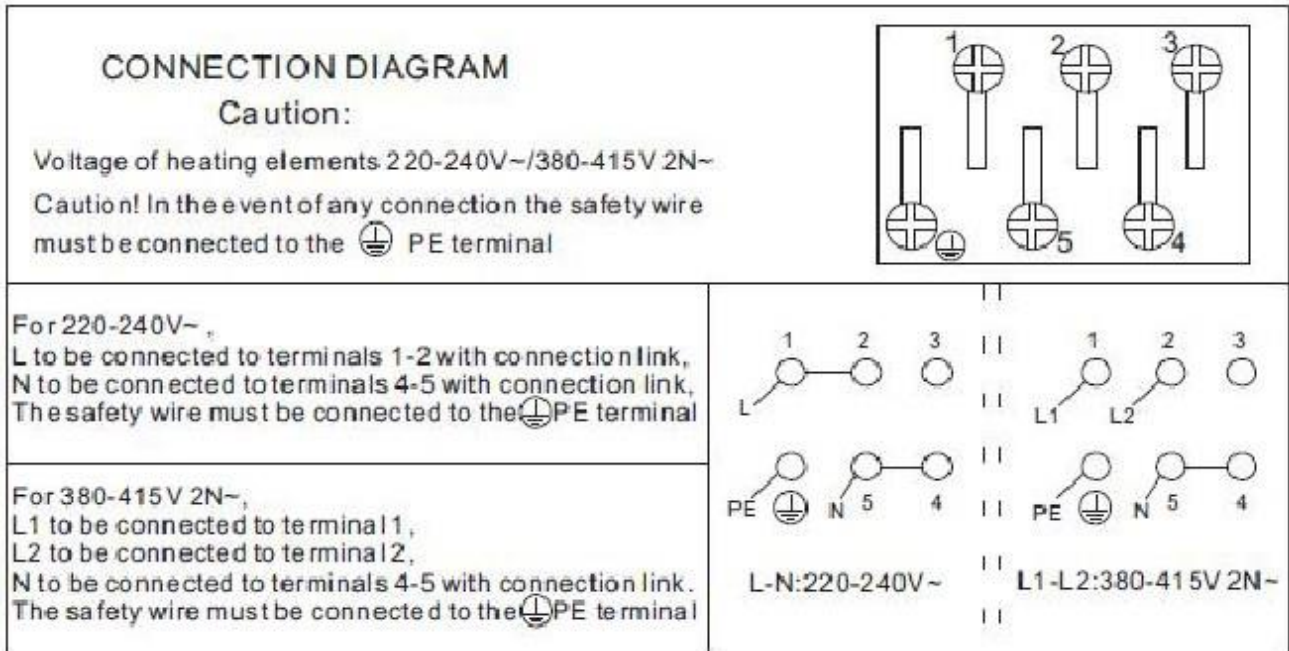
### **WARNING: THIS APPLIANCE MUST BE EARTHED.**

- The appliance must be wired into a **30A** double pole switched fused spur outlet, having 3 mm contact separation and placed in an easily accessible position adjacent to the appliance. It should not be located above the appliance and no more than 1.25m away from it.
- The spur outlet must still be accessible even when your cooktop is located in its operating position.

### Connecting the mains supply cable



- The mains terminal block is located on the underside of the cooktop and the terminals are accessible by removing the terminal block cover. This is done by depressing the front of the cover and releasing it from the securing clips.



- The cable connections must be in accordance with the diagram located on the bottom of the cooktop (see above). The links must also be positioned as indicated.
- You should use a good quality screwdriver to carefully, fully tighten ALL of the terminal screws.
- ***If when the cooktop is first switched on, only two of the zones work, you should recheck that the terminal screws are all fully tightened and the links are in position. This should be done before contacting the Customer Care Department.***
- ***IMPORTANT:*** The appliance must NOT be connected to the mains supply by means of a 10A or 15A plug and socket.
- The cable can be looped if necessary, but make sure that is not kinked or trapped when the cooktop is in position. Care must be taken to avoid the cable being in contact with hot parts of the appliance.

## Replacing the mains supply cable

If the mains supply cable is damaged, then it must be replaced by an appropriate replacement which can be obtained via the manufacturer or its service agents, in order to avoid hazard.

The mains supply cable should be replaced in accordance with the following instructions:

- ***Switch the appliance off at the socket.***
- Open the terminal block on the underside of the cooktop.
- Unscrew the terminal screws fixing the cable.
- Replace the cable with one of the same length and in accordance with the specification given on pages 17 - 18.
- The “green-yellow” earth wire must be connected to the terminal marked  $\perp$ . It must be about 10 mm longer than the live and neutral wires.
- The “blue” neutral wire must be connected to the terminal marked with letter (N) - the live wire must be connected to the terminal marked with letter (L).

## My appliance isn't working correctly

- ***The cooking zones are not functioning or will not switch on.***
  - \* Check that the mains electrical supply to the appliance is correct and working. Check the mains fuse.
  
- ***The residual heat indicator has not come on after I have switched a cooking zone off.***
  - \* The cooking zone has only been turned on for less than 30 seconds.
  - \* ***IMPORTANT:*** *If the cooking zone does appear to be hotter than 50°C or has been activated for longer than 30 seconds, and the residual heat indicator has not come on, you should call the Customer Care Department.*
  
- ***A humming sound is heard when a cooking zone is selected.***
  - \* This is normal; the sound will disappear when the zone heats up.
  
- ***The cooking zones have become discoloured.***
  - \* This maybe caused by burnt on remnants of food. This will not affect the working of the appliance. However you should make sure that the cleaning instructions are being followed regularly.



***IMPORTANT: If your appliance appears not to be operating correctly, then you should disconnect it from your mains supply and then contact Customer Care.***

***DO NOT ATTEMPT TO REPAIR THE APPLIANCE YOURSELF.***

Please note that if a service technician is asked to attend whilst the product is under guarantee and finds that the problem is not the result of an appliance fault, then you may be liable for the cost of the call out charge.

***The appliance must be accessible for the technician to perform any necessary repair. If your appliance is installed in such a way that a technician is concerned that damage will be caused to the appliance or your kitchen, then they will not complete a repair.***

***This includes situations where appliances have been tiled in, sealed in with sealant, have wooden obstructions placed in front of the appliance - like plinths, or any installation other than the one specified by the manufacturer has been completed.***

Please refer to the conditions of guarantee that appear on the warranty card that you receive with the appliance.

***IMPORTANT: The manufacturer operates a policy of continuous improvement and reserves the right to adjust and modify its products without prior notification.***