



ART29401

Built-under Freezer
Manual for Installation, Use and Maintenance



ART29401





Before first use

You must allow the freezer to settle for at least twenty four hours prior to switching the power on.

It is recommended that you clean the interior of the appliance prior to first use, using a solution of bicarbonate of soda and warm water and then thoroughly drying the interior.

The freezer may have an odour to it at first use. This will disappear as the appliance cools.

Please note:

The appliance will work continuously until it gets down to the correct temperature.

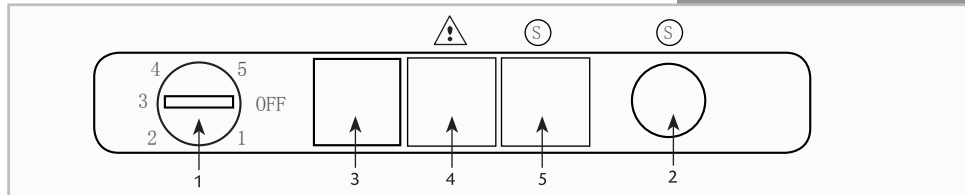
If the appliance is switched off, you should allow five minutes before switching it on again to prevent unnecessary damage to the compressor.

Prior to the installation you should remove the protective transparent polythene film which covers the side panels and the door.





Controls and Use



1. Thermostat dial

The thermostat automatically keeps the internal temperature at a constant level. The temperature is regulated by the thermostat dial, located on the freezer control panel. To change the temperature, turn the dial anti-clockwise from 1 (highest temperature) to 5 (coldest temperature). We recommend that you start with the appliance set to position 3.

2. Super freeze switch

When fast freezing is needed, turn on the fast freezing function button with the indication that yellow light is on. After 24 hours, the function will be switched off automatically. During fast freezing, press and hold the fast freezing button for 3 seconds, then the function will be manually switched off immediately.

3. Power indicator light

This green light will illuminate when the freezer is switched on.

4. Over temperature indicator light

This red light will illuminate when the temperature inside the freezer is too high. This may illuminate after the door has been opened, or when fresh food is added and should switch off again once the temperature within the freezer has stabilised.

5. Super freeze indicator light

This yellow light will illuminate when the super freeze function has been switched on with the super freeze switch (2).

Use

- The freezer compartments are designed to store frozen food.
- Never put warm or hot foods in the freezer; allow them to cool fully first.
- Follow the instructions on the packaging for storage of frozen food. If no information is provided, foods should not be stored for more than three months after the purchase date.
- Never put sparkling drinks or bottles of liquid in the freezer as they can explode.





Care and cleaning

Always disconnect the appliance from the power before any cleaning or maintenance.

- The refrigerator section should be cleaned using a solution of bicarbonate of soda and lukewarm water.
- Do not use abrasive products or detergents. After washing, rinse and dry thoroughly.
- Clean the shelves and balconies separately by hand using soap and water. Do not put them in the dishwasher.
- The evaporating tray and water drain hole (at the back of the refrigerator compartment) should be cleaned periodically to prevent the defrosted water from collecting inside the refrigerator compartment. The drain plug can be used to clear the drain hole.
- Once cleaning is complete, reconnect the mains power supply.
- If the appliance is not used for prolonged periods of time, unplug and clean the appliance. The doors should be left slightly open to prevent the formation of mildew and smell.

Defrosting the freezer

Do not use heaters or defrosting sprays in this appliance.

- Never use any metallic or sharp objects to remove the ice as this could damage the lining.
- The freezer compartment should be defrosted regularly to ensure the most efficient running of the freezer.
- Once the ice is more than 5mm thick, the freezer should be defrosted.
- First remove the freezer drawers.
- To speed up the process, place a bowl of warm water in the base of the freezer compartment.

Once defrosting is complete, dry the inside of the freezer compartment with a sponge or clean cloth.





Troubleshooting

If you have any problems with your appliance, you should check the troubleshooting prior to calling Customer Care to prevent unnecessary service calls and potential cost.

If the appliance is not working

- Check there is power to the appliance:
 - The house fuses are intact and the fuse in the plug has not blown.
 - The thermostat is not set to 0 (off position).
 - The plug socket is functioning fine. To check this, plug another electrical appliance in to see if the socket is working.
 - The temperature of the room is adequate (10 °C or above).

The appliance is working, but not very well

- The appliance is not overloaded.
- The thermostat is set to an appropriate temperature.
- The door is closing properly.
- The cooling system at the rear of the appliance is clean and free of dust, and not touching the rear wall.
- There is enough ventilation at the side and rear walls.
- The temperature of the room is adequate (10 °C or above).

The appliance is noisy

- The appliance is level and stable.
- The side and rear walls are clear, and there is nothing resting on the appliance.
- The cooling gas in the refrigerator will make a slight bubbling noise, even when the compressor is not running.

There is water in the lower part of the refrigerator compartment

- The drain hole in the channel at the back of the compartment is clear.



Installation

This appliance must never be installed close to heat sources i.e. heating elements, cookers or in damp places

The appliance should be mounted on a piece of wood (for example a section of worktop or kitchen carcass) if a raised floor is to be fitted, if the kitchen floor is to be tiled after installation, or if the installation height of the appliance is greater than 850 mm.

Fig. 1 - Dimensions of the appliance.

Fig. 2 - Dimensions for installation in adjacent units.

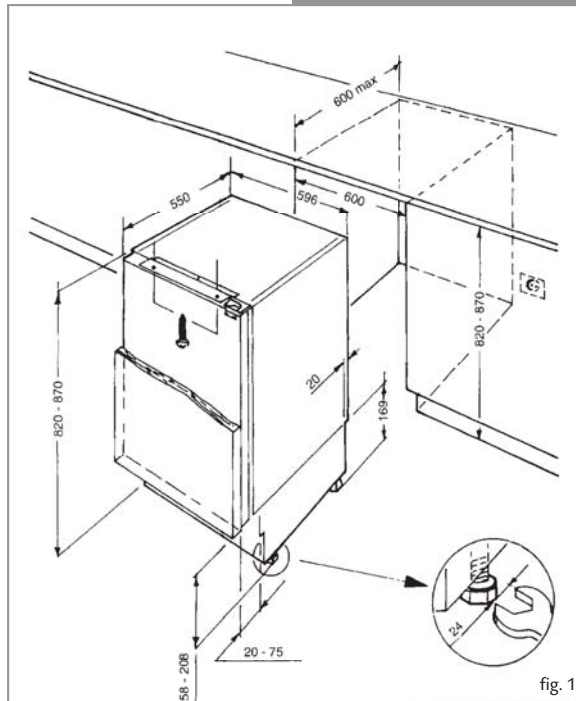


fig. 1

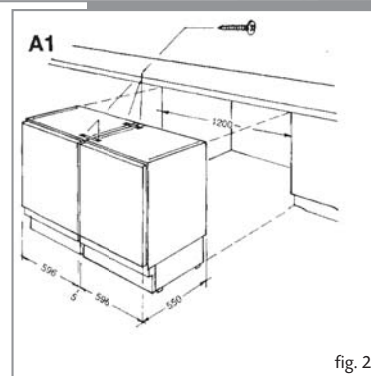


fig. 2



Reversing the door

It is possible to reverse the door on this appliance, if required.

To do so, follow the steps below:

- Loosen the hinge fixing screws (1).
- Open the door.
- Lever off the corner caps (3) with a knife blade.
- Insert the hinge fixing screws (1) on the opposite side.
- Remove the door fixing screws (2) and relocate the hinges according to figure 3.
- Locate the door on the hinge fixing screws (1) and tighten.

Do not turn the door upside down.

- Insert the corner caps (3) in the exposed holes.

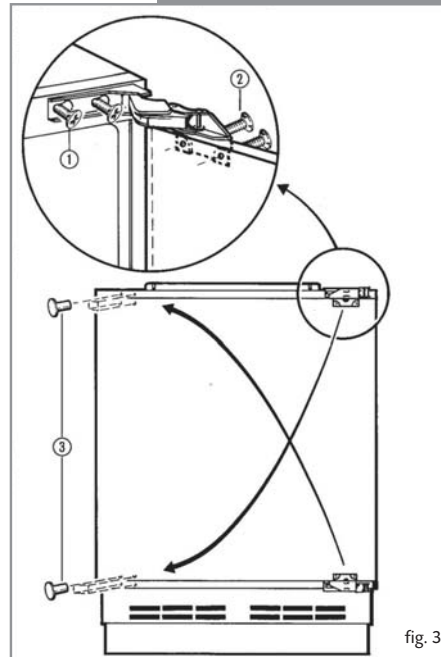


fig. 3





Installing the decor door

- Screw mounting bracket (1) onto decor door using the screws supplied (as show in figure 4).
- Fit the correct side towards the hinges.
- Ensure there is a 5mm clearance between the underside of the worktop and upper edge (X) of the decor panel.
- Screw the four adjusting pins (2) fully into the appliance door.
- Position the decor door on the appliance door, introduce the locating pins at top into the slots in the mounting plate and open out according to detail in figure 5 (about 9mm).

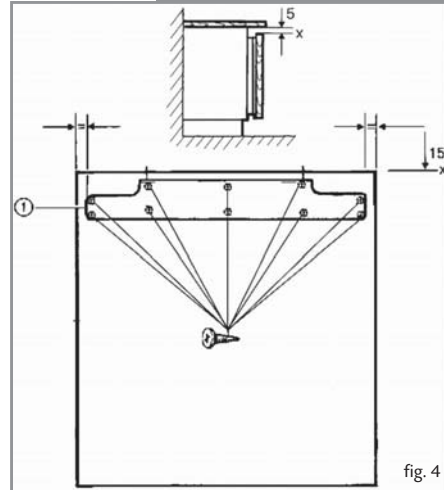


fig. 4

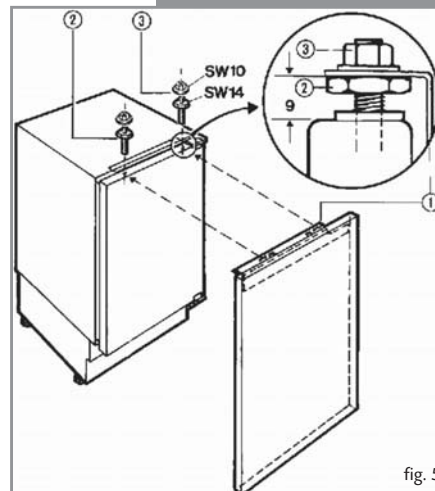


fig. 5



Installing under a worktop

- Adjust the feet to the required height.
- Push the appliance into the niche until the decor door is flush with the adjacent furniture items, adjust the feet if necessary.
- Pre-adjust the appliance at slots (4) as shown in figure 8, into the mounting plate on the worktop.

Adjusting the plinth depth (figure 6)

- Lift out the decor door.
- Grip the plinth at the ventilation grille and align until flush with adjacent furniture items, or join up to the continuous plinth if fitted. Cut away the continuous plinth trim as illustrated for ventilation.

Never cover over the ventilation slots.

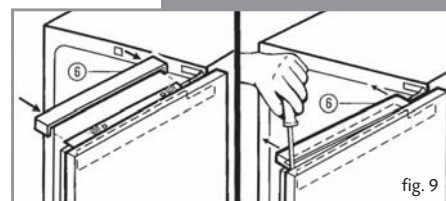
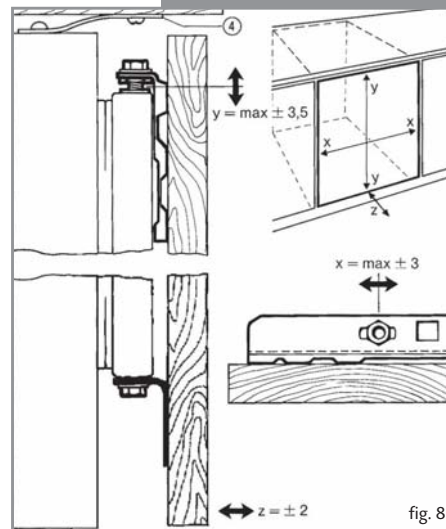
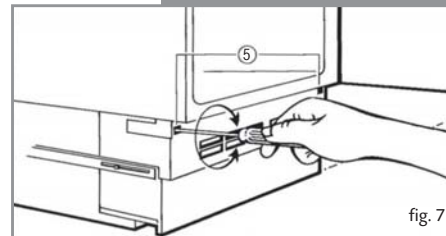
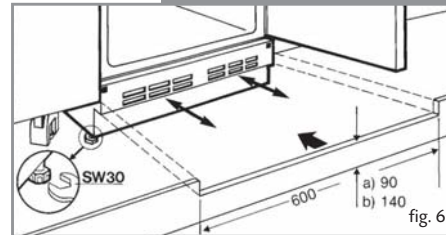
Once installed the plinth must not block the ventilation slots in the appliance. This may require cutting the plinth down. Failure to ensure adequate ventilation may invalidate the warranty.

- Attach the appliance plinth at screws (5), turning screws clockwise until considerable resistance is felt (figure 7).
 - To adjust the plinth height, turn the screws anti-clockwise through approximately 8 to 10 revolutions.

Adjusting the decor door

- Position the decor door on the appliance. Open loose locking nuts.
- Adjust height Y at locating pin (14mm wrench) as shown in figure 8, $Y = \max \pm 3.5$ mm.
- Adjust side measurement X at slots on mounting bracket at top, $X = \max, \pm 3$ mm.
- Open out lower locating pins until contact is made with the mounting plate. Secure with locking nuts.
- If necessary, adjust the alignment of the lower decor panel edge at 10x12 hole in mounting bracket, $Z = \pm 2$ MM. Then tighten the locking nuts again.
- Push on cover trim (6) and engage (to remove, lever out the trim strip with a screwdriver as illustrated in figure 9).
- When aligned, secure the appliance to the worktop at retaining slots.

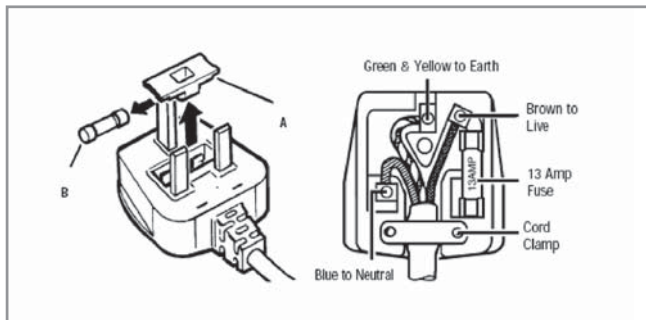
Important: The cover trim (6) must be fitted as this turns off the light when the door is closed.





Electrical information

Warning! This appliance must be earthed.



The mains lead of this appliance has been fitted with a BS 1363A 13 amp fused plug. To change a fuse in this type of plug, follow the steps below:

1. Remove the fuse cover and fuse.
2. Fit replacement 13A fuse, ASTA approved to BS 1362 type, into the fuse cover.
3. Replace fuse cover.

Important: Do not use the appliance without the fuse cover in position.

How to connect an alternative plug

If the fitted plug is not suitable for your socket outlet, then it should be cut off and disposed of safely to avoid possible shock hazard. A suitable alternative plug of at least 13 Amp rating to BS 1363 should be used.

As the colours of the wires in the mains lead of this appliance may not correspond with the coloured markings identifying the terminals in your plug, proceed as follows:-

- The wire which is coloured GREEN and YELLOW must be connected to the terminal which is marked with letter (E) or by the Earth symbol \perp or coloured GREEN and YELLOW.
- The wire which is coloured BLUE must be connected to the terminal which is marked with the letter (N), or coloured BLACK.
- The wire which is coloured BROWN must be connected to the terminal which is marked with the letter (L) or coloured RED.

If in doubt regarding the electrical connection of this appliance, consult a qualified electrician. Do not shorten the supply cable, the appliance may require removing for servicing.

N.B. Ensure that the plug socket is situated in an easily accessible place.



GUARANTEE

This appliance is covered by a full manufacturer's 2 year parts and 2 year labour guarantee and covers all parts and labour costs associated with the repair of the appliance in a domestic environment. We will repair any defect that arises due to faulty materials or workmanship and use genuine manufacturers parts.

All claims must be supported with the original receipt or other reasonable proof of purchase.

If, during the guarantee period, the appliance becomes irreparable as agreed by the engineer approved by Apelson Appliances UK Ltd then we reserve the right, at our discretion, to exchange the defective product with a replacement appliance at Apelson Appliances UK Ltd sole cost. If the same product is no longer available an alternative will be offered with the same functions as the faulty item.

After an appliance has been repaired or replaced any remaining balance of the Apelson Appliances UK Ltd guarantee will be valid and any further call outs during this prescribed period will be covered by Apelson Appliances UK Ltd on the replacement appliance.

Should any person other than an authorized engineer modify or attempt to repair the appliance then the warranty will be invalid.

The guarantee applies to the UK mainland, Scotland and Ireland but is not transferable between EU countries.

This guarantee is non-transferable to any other person or product.

The guarantee is covered by UK law and is in addition to and does not diminish your legal rights.

EXTENDED PARTS ONLY WARRANTY

As testimony to our commitment to you as a valued customer of Apelson Appliances UK Ltd, we will offer you an additional 3 years parts warranty absolutely free.

If during the extended parts warranty period the

appliance fails and it is considered uneconomical to repair our Customer Service Department will offer you the opportunity to purchase the same or equivalent model at a discounted price.

All parts supplied free of charge under the extended warranty must be fitted by our approved engineers and will be subject to a call out charge to fit the part.

EXCLUSIONS TO THE GUARANTEE

This guarantee does NOT cover:

Appliances that have been damaged or neglected as a result of failure to store, assemble, install, use or care of the products in accordance with the manufacturer's instructions - Apelson Appliances UK Ltd will not accept responsibility under this guarantee if a product is damaged or becomes defective due to, misuse, neglect, wilful or accidental damage or act of god.

Normal wear and tear.

Consumable items such as carbon filters and bulbs.

Claims arising from non-domestic use or commercial environment.

Any gas appliance not fitted by a gas safe qualified installer.

If no fault is found then Apelson Appliances UK Ltd reserves the right to charge for the call out at the going rate of £55.00 plus VAT.

In the course of the service work carried out it may be necessary to remove the built in appliance from its fitted position. If the appliance is glued, grouted or tiled in such a manner that it cannot be removed, it is the responsibility of the customer/installer to remove and reinstall the appliance to facilitate the repair.

This Guarantee does not affect your statutory rights.

The guarantee is offered by Apelson Appliances UK Ltd, 1 Express Way, Off California Drive, Castleford, WF10 5QJ

USEFUL CONTACTS

USEFUL CONTACTS

TECHNICAL SUPPORT

Apelson Appliances UK LTD

Phone: 0844 800 1128

Email: uksupport@apelson.co.uk

Web: www.myspareparts.co.uk

SPARES

Apelson Appliances UK LTD

Phone: 0844 800 1128

Email: uksupport@apelson.co.uk

Web: www.myspareparts.co.uk

SERVICE AND GUARANTEE

Apelson Appliances UK LTD

Phone: 0844 800 1128

Email: uksupport@apelson.co.uk

Web: www.myspareparts.co.uk