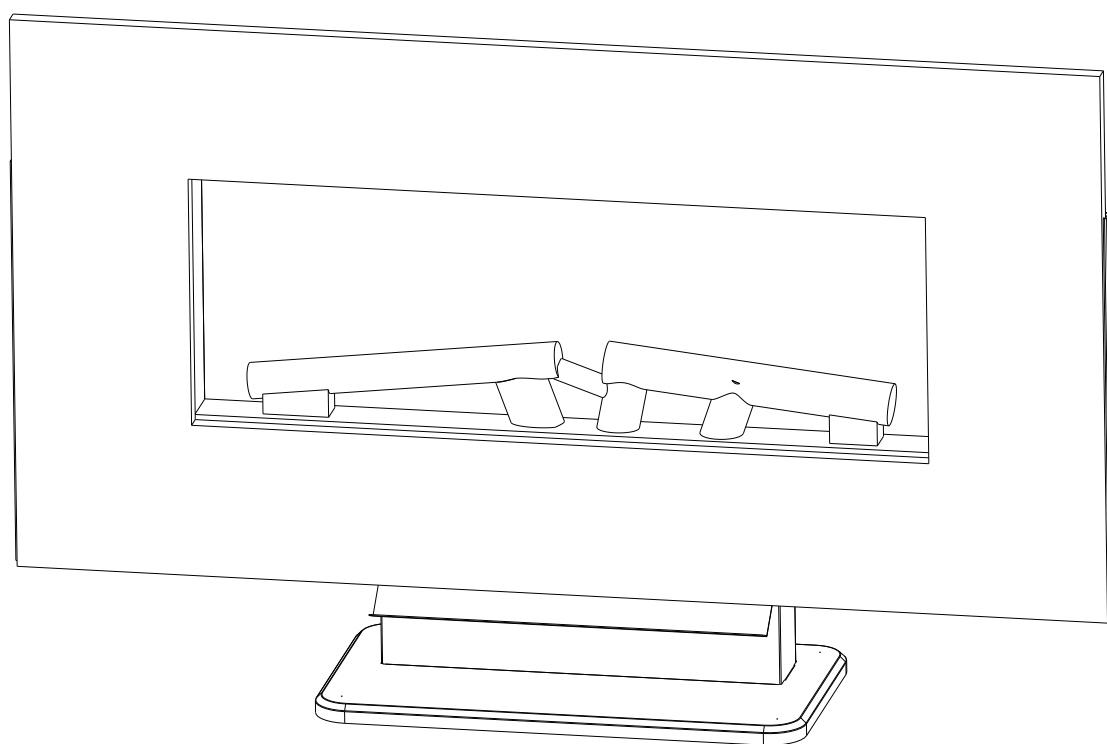


Wall Mounted Electric Fire

User manual

ICONCV915BK
ICONCV915C
ICONCV1067BK
ICONCV1067C
ICON1220BK



innōcenti

Table of Contents

Table of Contents	2
Safety Information	2
Warranty	3
Pre-Installation	4

Installation - Wall-Mount	8
Installation - Table Top	10
Operation	12
Care and Cleaning	15

Safety Information

Retain for future reference: Read carefully

1. Read all instructions before using this fireplace.
2. Always unplug this appliance when not in use.
3. Children should be advised not to play with this fireplace.
4. Do not operate any heater with a damaged cord or plug or after the heater malfunctions, has been dropped or damaged in any manner. Return heater to authorized service facility for examination, electrical or mechanical adjustment, or repair.
5. Any repairs to this appliance should be carried out by qualified/ authorized service personnel only.
6. Under no circumstances should this appliance be modified. Parts having to be removed for servicing must be replaced with original "OEM" (original equipment manufacturers) parts only.
7. Do not use outdoors.
8. This appliance is not intended for use in bathrooms, laundry areas, and similar indoor locations. Never locate this appliance where it may fall into a bathtub or other water container.
9. Do not run the cord under carpeting. Do not cover the cord with throw rugs, runners, or the like. Arrange the cord away from traffic areas and where it will not be tripped over.
10. To disconnect heater, turn controls to off, then remove plug from outlet.
11. Connect to properly grounded outlets only.
12. This appliance, when installed, must be electrically grounded in accordance with local codes, with the current CSA C22.1 Canadian Electric codes, or for USA installations, follow local codes and the National Electrical Code, ANSI/NFPA No. 70.
13. There is a thermostat limiter inside the fireplace. When the inner temperature over heats or abnormal heating occurs, the thermostat protective device will cut off power supply to avoid damage to the fireplace or risk of fire.
14. This appliance has hot and arching or sparking parts inside. Do not use it in areas where gasoline, paint, or flammable liquids are used or stored. This appliance should not be used as a drying rack for clothing, nor should Christmas stockings or decorations be hung on or near it.
15. Use this appliance only as described in this manual. Any other use not recommended by the manufacturer may cause fire, electric shock, or injury to persons.
16. The use of an extension cord is not recommended due to risk of fire. If used the extension cord shall be No. 14 AWG minimum size and rated no less than 1875 watts, and the extension cord shall be a three-wire cord with grounding type plug and cord connector. The extension cord shall not be more than 6 m /20 ft in length.

17. Do not use this appliance with a programmable timer or any other device that switches the appliance on and off automatically. In order to avoid a hazard due to inadvertent resetting of the thermal cut out, this appliance must not be supplied through an external switching device, such as a timer, or connected to a circuit that is regularly switched on and off by an utility.
18. This product contains a button battery. If swallowed, it could cause severe injury or death in just 2 hours. Seek medical attention immediately.
19. Children of less than 3 years should be kept away unless continuously supervised. Children aged from 3 years and less than 8 years shall only switch on/off the appliance provided that it has been placed or installed in its intended normal operating position and they have been given supervision or instruction concerning use of the appliance in a safe way and understand the hazards involved. Children aged from 3 years and less than 8 years shall not plug in, regulate and clean the appliance or perform user maintenance. Cleaning and user maintenance shall not be made by children without supervision.
20. In order to avoid overheating, do not cover the heater. Heater is not to be located immediately below a socket-outlet.



CAUTION: Operate only on supplied stand or mounted to wall. Do not install heater less than 60 cm / 23.6 in from the floor.



WARNING: This heater is hot when in use. To avoid burns, do not let bare skin touch hot surfaces. If provided, use handles when moving this appliance. Keep combustible materials, such as furniture, pillows, bedding, papers, clothes, and curtains at least 0.9 m / 3 ft from front, sides and rear of the heater.



CAUTION: When using electrical appliances, basic precautions should always be followed to reduce the risk of fire, electrical shock, and injury to persons.



CAUTION: To prevent a possible fire, do not block heater air intakes or the exhaust in any manner. Do not operate the heater on soft surfaces, like a bed, where openings may become blocked.



CAUTION: Do not insert or allow foreign objects to enter any ventilation or exhaust openings, as this may cause an electric shock or fire, or damage to the heater.



CAUTION: Extreme caution is necessary when any heater is used by or near children or invalids, and whenever the heater is left operating and unattended.



**IMPORTANT:
SAVE THESE INSTRUCTIONS.**

2 Year Warranty

WHAT IS COVERED

The manufacturer warrants that your new electric fireplace is free from manufacturing and material defects for a period of two year from date of purchase, subject to the following conditions and limitations.

This electric fireplace must be installed and operated at all times in accordance with the instructions furnished with the product. Any alteration, willful abuse, accident, or misuse of the product shall nullify this warranty. This warranty is non-transferrable, and is made to the original owner, provided that the purchase was made through an authorized supplier of the manufacturer. This warranty is limited to the repair or replacement of part(s) found to be defective in material or workmanship, provided that such part(s) have been subjected to normal conditions of use and service, after said defect is confirmed by the manufacturer's inspection. The manufacturer may, at its discretion, fully discharge all obligations with respect to this warranty by refunding the wholesale price of the defective part(s).

WHAT IS NOT COVERED

Any installation, labor, construction, transportation, or other related costs/expenses arising from defective part(s), repair, replacement, or otherwise of same, will not be covered by this warranty, nor shall the manufacturer assume responsibility for same. Further, the manufacturer will not be responsible for any incidental, indirect, or consequential damages, except as provided by law.

All other warranties - expressed or implied - with respect to the product, its components and accessories, or any obligations/liabilities on the part of the manufacturer are hereby expressly excluded. The manufacturer neither assumes, nor authorizes any third party to assume, on its behalf, any other liabilities with respect to the sale of this product. The warranties as outlined within this document do not apply to nonmanufacturer accessories used in conjunction with the installation of this product.

This warranty does not cover the light bulb(s) included with the fireplace.

This warranty is void if: the fireplace has been operated in atmospheres contaminated by chlorine, fluorine, or other damaging chemicals; the fireplace is subjected to prolonged periods of dampness or condensation; the fireplace is altered, willfully abused, damaged by accident, or misused in any way.

Make sure you have your warranty, your sales receipt, and the model/serial number of your product.

Pre-Installation

PLANNING INSTALLATION

Before you begin assembly, locate the instructions and hardware. Compare all parts with the Hardware Included and Package Contents lists. Be sure you have all the parts and can identify them. A helping hand is always good. Assemble your fireplace with an adult assistant if possible. Some pieces are heavy and will need to be held by a helper. Assembly time will take approximately 5-20 minutes.

Before assembly, use scissors to unwrap the parts from the packaging. Do not use a box cutter or exacto-knife, as you may cut into the heater pieces inside the box and damage the finish. Check for the red hardware bag located inside the packaging, taped to the top of the box. Do not discard any pieces. Use an appropriate screwdriver to insert and tighten all screws.



CAUTION: This carton includes a GLASS panel! Always use extreme caution when handling glass. Failure to do so could result in personal injury or property damage.

SPECIFICATIONS

Model No.	ICONCV915BK/ICONCV915C	ICONCV1067BK/ICONCV1067C	ICON1220BK
Wall Mounted Dimensions W x D x H	99 * 23.5 * 51.3 cm	111.7 * 23.5 * 51.3 cm	130 * 24.5 * 51.3 cm
Net Weight / Gross Weight	14.3 kg/16.1 kg	17 kg/20 kg	21.5 kg/23 kg
Voltage	220-240v	220-240v	220-240v
Frequency	50 Hz	50 Hz	50 Hz
Watts	1600-1800 W	1600-1800 W	1600-1800 W

ELECTRICAL CONNECTION



WARNING: Electrical outlet wiring must comply with local building codes and other applicable regulations to reduce the risk of fire, electrical shock, and injury to persons.



WARNING: Do not use this fireplace if any part of it has been under water. Immediately call a qualified service technician to inspect the fireplace and replace any part of the electrical system which has been under water.

A 13 Amp, 220V~240V volts, 50 Hz circuit with a properly grounded outlet is required to operate this appliance. Preferably, the appliance will be on a dedicated circuit, as other appliances on the same circuit may cause the circuit breaker to trip or the fuse to blow when the fireplace is in operation. The unit comes standard with a 1.8 m/6 ft long 3-wire cord, exiting out the back of the fireplace.

GROUNDING INSTRUCTIONS

This heater is for use on 220V~240V volts. The cord has a plug as shown at (A) in Figure 1.

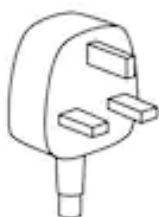
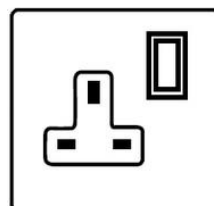


fig A



Remote Control

(1) This device may not cause harmful interference, and (2) this device must accept any interference received, including interference that may cause undesired operation. There is no guarantee that interference will not occur in a particular installation. If this equipment does cause harmful interference to radio or television reception, which can be determined by turning the equipment off and on, the user is encouraged to try to correct the interference by one or more of the following measures:

- Reorient or relocate the receiving antenna.
- Increase the separation between the equipment and receiver.
- Connect the equipment into an outlet on a circuit different from that to which the receiver is connected.
- Consult the dealer or an experienced radio/TV technician for help.

This remote control requires 1 Lithium Coin Cell Battery (size CR2025), which is included.

CAUTION: Changes or modifications to this unit not expressly approved by the party responsible for compliance could void the user's authority to operate the equipment.

WARNING



DO NOT mix old and new batteries.

DO NOT use rechargeable silver oxide cell batteries with remote control unit.

DO NOT mix alkaline, standard (Carbon-Zinc), or rechargeable (Nickel-Cadmium) batteries.

DO NOT dispose of batteries in fire. Improper disposal may cause batteries to leak or explode.

DISPOSAL OF USED BATTERIES

Battery may contain hazardous substances which could be endangering to environment and human health. This symbol marked on the battery and/or packaging indicates that used battery shall not be treated as municipal waste. Instead it shall be left at the appropriate collection point for recycling. By ensuring the used batteries are disposed of correctly, you will help prevent potential negative consequences for the environment and human health. The recycling of materials will help to conserve natural resources. For more information about collection and recycling of used batteries, please contact your local municipality, your waste disposal service or the point of sale where you purchased this point.

Pre-Installation (continued)

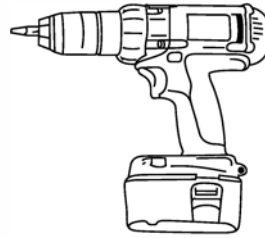
TOOLS REQUIRED (not included)



Safety goggles



Phillips screwdriver



Power drill

HARDWARE INCLUDED



NOTE: Hardware shown to actual size.



AA



BB

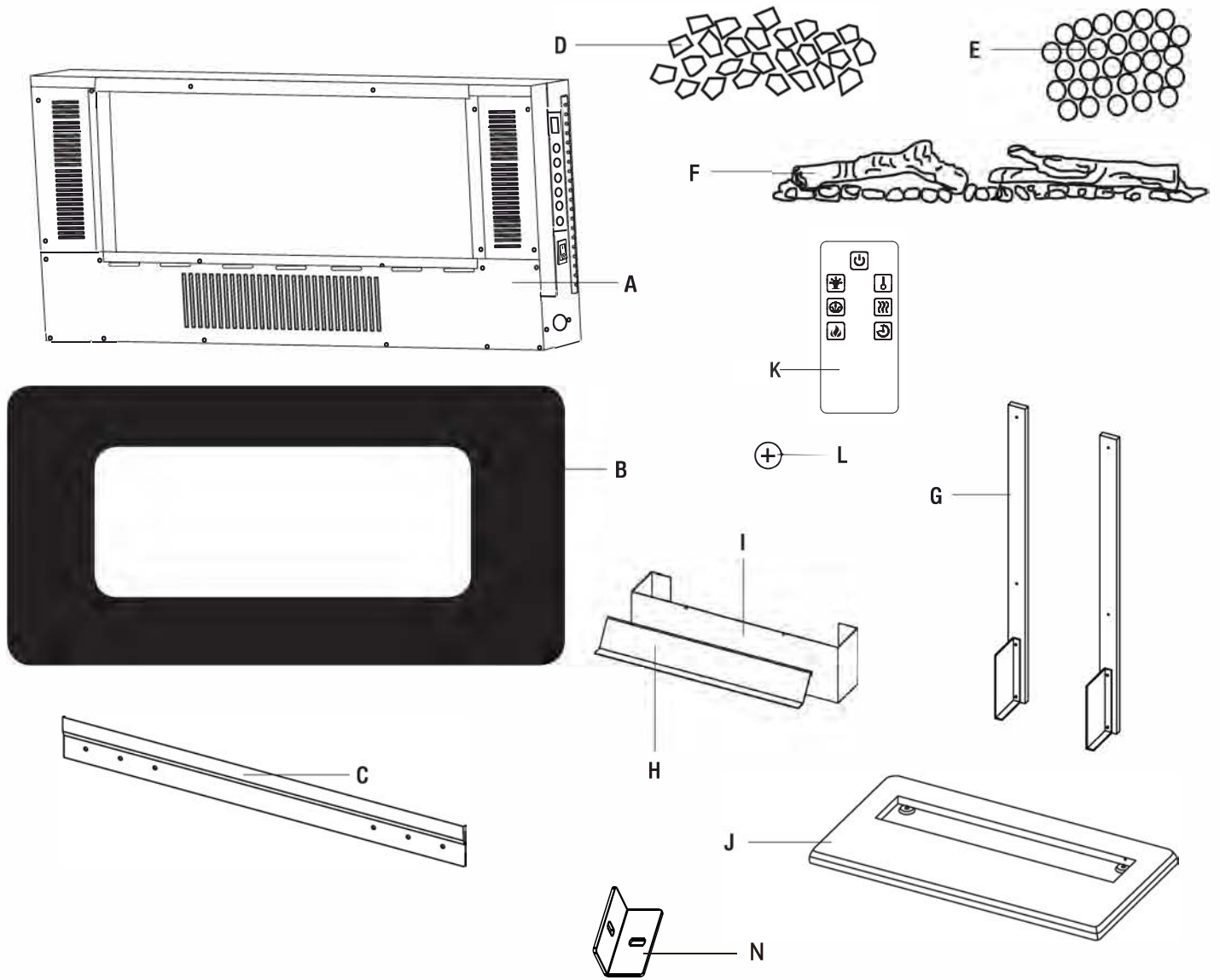


CC

Part	Description	Quantity
AA	Small Screw	12
BB	Large Screw	3
CC	Wall Anchor	3

Pre-Installation (continued)

PACKAGE CONTENTS



Part	Description	Quantity
A	Electric Firebox	1
B	Glass Front	1
C	Mounting Bracket	1
D	Acrylic Crystals	1
E	Pebbles	1
F	Log Set	1
G	Table Top Support	2

Part	Description	Quantity
H	Deflector	1
I	Front	1
J	Table Top Base	1
K	Remote Control	1
L	Battery (Pre-Install)	1
N	Fixed Plate	1

Note: Both table top supports are identical.

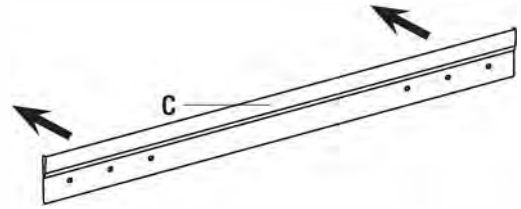
Installation - Wall-Mount

The height of product for wall mount should not exceed 1.8m.

1 Positioning the mounting bracket

Choose a solid wall. Position the mounting bracket (C) where the electric firebox (A) is to be installed on the wall, and ensure that the mounting bracket (C) is level.

Use a pen to mark the 2 mounting holes on the wall at the desired mounting location, using the mounting bracket (C) as a template.



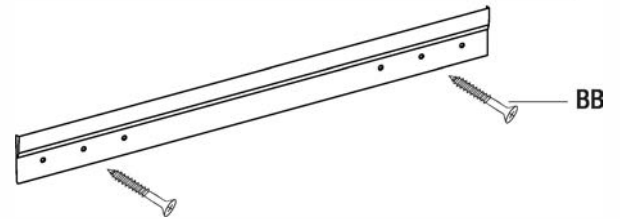
2 Securing the mounting bracket

Insert the 2 self-drilling wall anchors (CC) into the wall where previously marked. If installing the mounting bracket (C) to a wall stud, there is no need to drill the holes in the wood and no need for the plastic wall anchors (CC). It is recommended to install the mounting bracket to at least one stud.



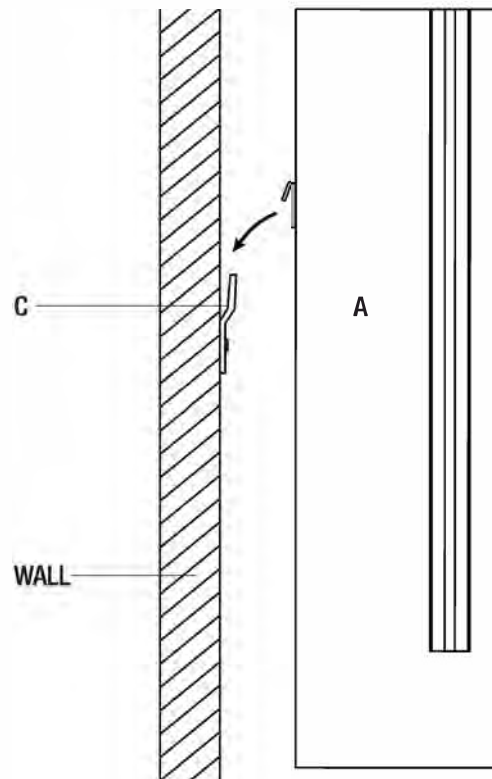
3 Securing the mounting bracket

Secure the mounting bracket (C) to the wall using 2 large screws (BB).



4 Hanging the electric firebox

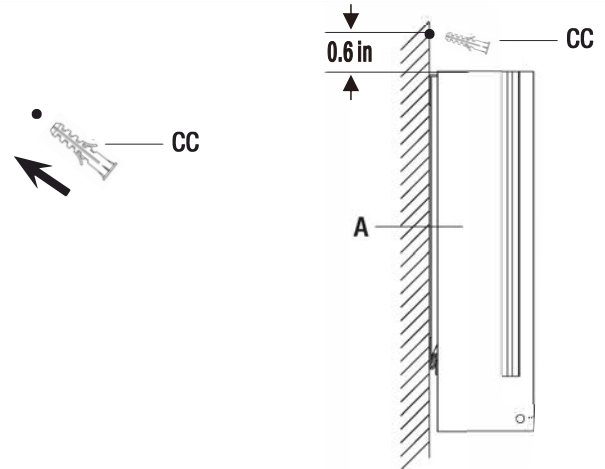
Hang the electric firebox (A) on the mounting bracket (C).



Installation - Wall-Mount (continued)

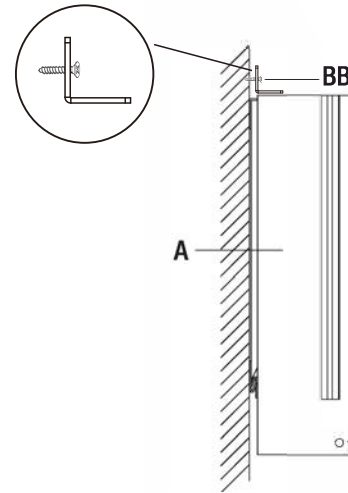
5 Securing the fixed plate

Once the electric firebox (A) is hung, use a ruler to measure 0.6 in from the top middle of the electric firebox (A) to position the fixed plate (N). mark this position on the wall. Insert 1 self-drilling wall anchor (CC) into the wall where previously marked. make sure the wall anchor (CC) is completely inserted into the wall to avoid movement.



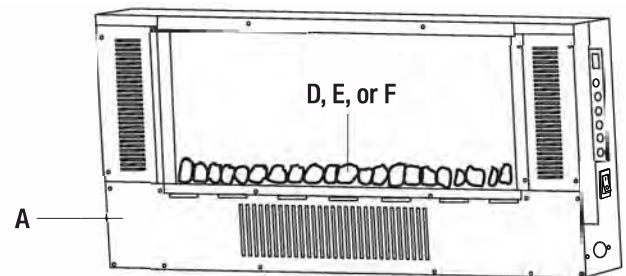
6 Securing the firebox

Hang the firebox (A) on the mounting bracket (C), then use 1 large screw (BB) to secure the fixed plate (N) into the wall anchor (CC).



7 Inserting the ember bed

Arrange the ember beds (acrylic crystals [D], pebbles [E] or log set [F]) along the inset window ledge at the front of the electric firebox (A).



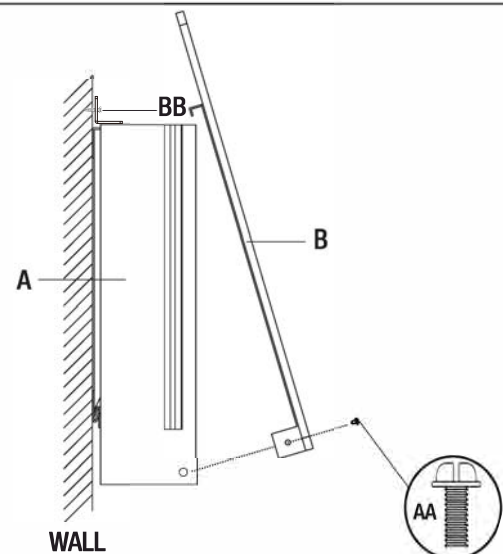
8 Installing the glass front



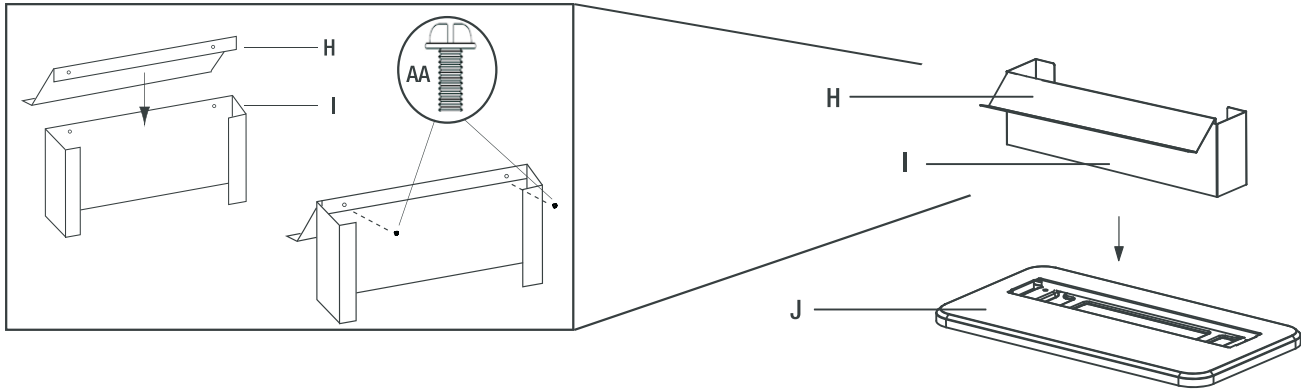
NOTE: This glass front is heavy. It is recommended that you use two people at this stage to prevent damage to the glass front or the electric firebox.

Lift the glass front (B) into place, making sure the 2 tabs on the top back of the glass front (B) fit securely into the holes on the top of the electric firebox (A).

Secure the glass front (B) by fastening two small screws (AA) on both sides.



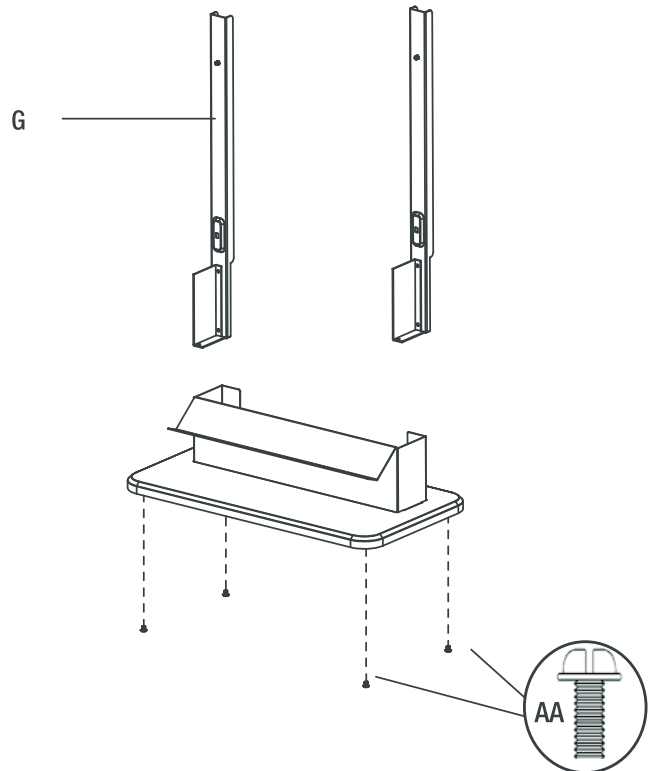
Installation - Table Top



1 Assembling the Table Top Stand

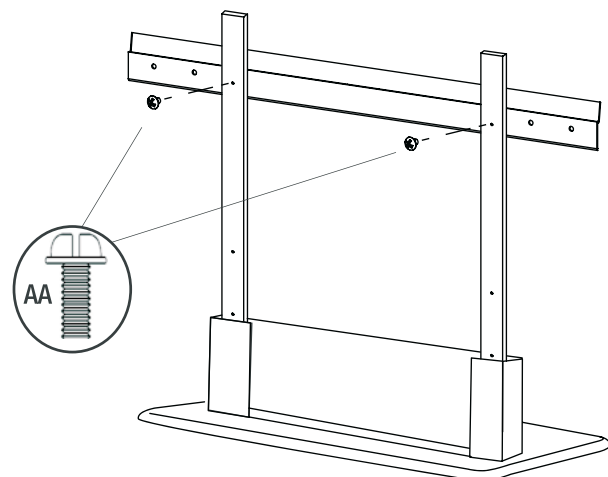
Attach the deflector (H) to the front (I) using 2 small screws (AA). Slide the whole part on to the table top base (J).

Attach the left and right table top supports (G) to the table top base (J) using 4 screws (AA).



2 Securing the mounting bracket

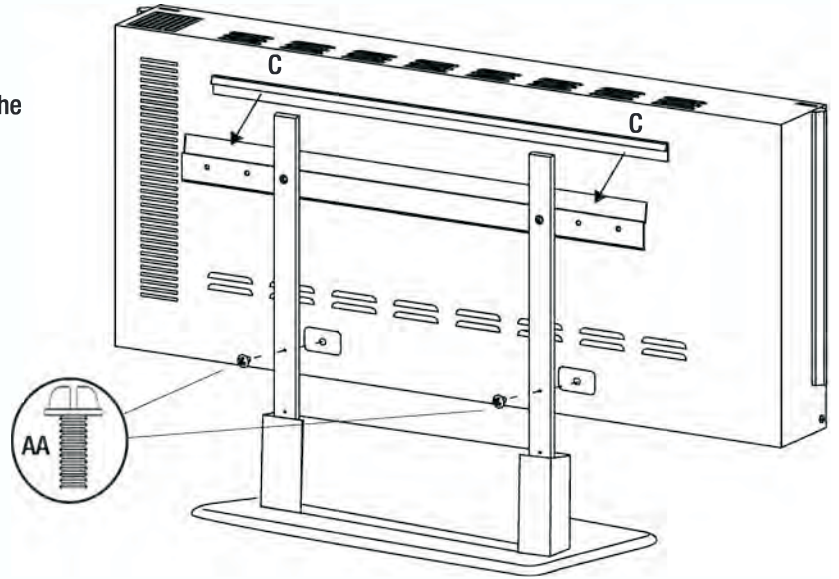
Use a screwdriver to secure the mounting bracket (C) to the table top stand with 2 small screws (AA).



Installation - Table Top (continued)

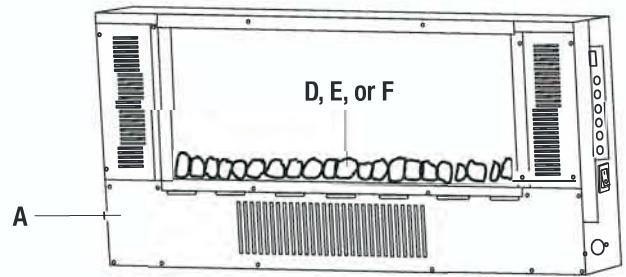
3 Securing the electric firebox

Using a screwdriver, secure the electric firebox (A) to the mounting bracket (C) with 2 small screws (AA).



4 Inserting the ember bed

Arrange the ember beds (acrylic crystals [D], pebbles [E] or log set [F]) along the inset window ledge at the front of the electric firebox (A).



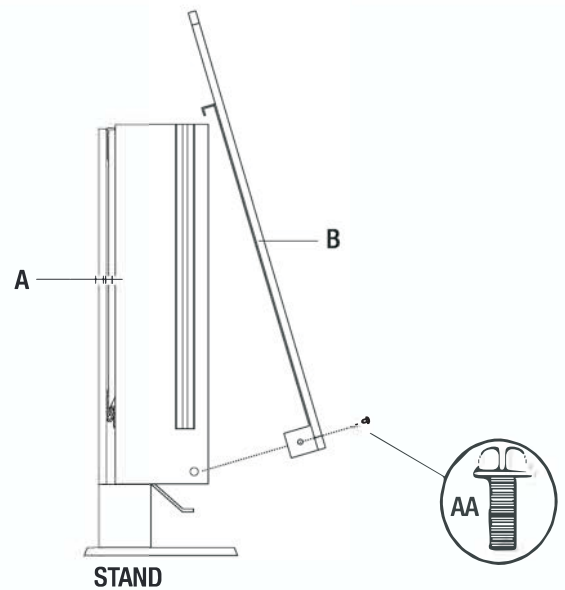
5 Installing the glass front



NOTE: This glass front is heavy. It is recommended that you use two people at this stage to prevent damage to the glass front or the electric firebox.

Lift the glass front (B) into place, making sure the 2 tabs on the top back of the glass fit securely into the holes on the top of the electric firebox (A).

Secure the glass front (B) by fastening two small screws (AA) on both sides.



Operation

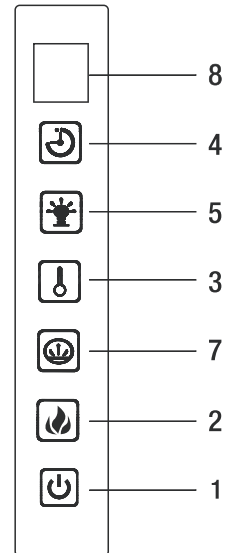
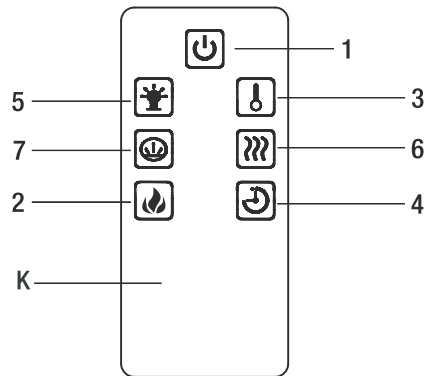
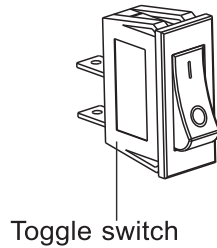
USING THE MANUAL AND REMOTE CONTROLS

NOTE: Before using the fireplace please make sure set the toggle switch to the position I.


Set the toggle switch to the position 0 if you would like to turn off the unit.

On the top-right side plate of the electric fireplace (A) is the control panel. This panel contains the buttons to properly operate the electric fireplace. The buttons on the control panel on the side of the electric fireplace (A) and the remote control (K) function in the same way. The remote control has an effective range of up to 13 feet.

1. Power Button
2. Flame Control Button
3. Heater Control Button
4. Timer Control Button
5. Side Light Control Button
6. Heater on / off Switch
7. Ember Bed Control Button
8. Digital Display Panel



USING THE POWER BUTTON

 The main power button (1) is located on the control panel on the side of the electric fireplace.

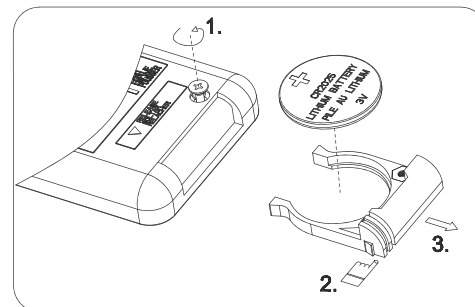
Pressing the power button (1) once turns the power on.

Pressing the power button (1) again will turn the power off.

If you find that none of the other buttons appear to work, check to make sure that the main power (1) is turned on.

BATTERY REPLACEMENT

3 Volt lithium coin cell type CR 2025



This product contains a button battery. If swallowed, it could cause severe injury or death in just 2 hours. Seek medical attention immediately.

USING THE FLAME CONTROL BUTTON

 Press the flame control button (2) to turn on the ember bed and flame effect.

Pressing the flame control button (2) once turns flames on and lights the ember bed.

Pressing the flame control button (2) again will cycle through different colors of the ember bed. The color rotation mode will cycle through different color settings continuously. Reference the table for more detailed information.

Button Press	Display Value	Flame Effect
1st Press	1	Orange
2nd Press	2	Green
3rd Press	3	Blue
4th Press	4	Orange/Green
5th Press	5	Orange/Blue
6th Press	6	Orange/Green/Blue
7th Press	7	Cycle

Operation (continued)

ADJUSTING THE AMBIENT SIDE LIGHTING



Press the side light control button (5) to turn on the ambient lighting.

To change the color of the lighting press the side light control button (5) again. You can control the side lights color as described in the table. The color rotation mode will cycle through different color settings continuously.

Button Press	Side Light Color	Display
1st Press	Blue	—
2nd Press	Red	==
3rd Press	Cycle	===
4th Press	Off	

HEATER LOCKING FUNCTION



To turn off heat mode, press and hold the **flame** button for 5 seconds to enter heat lock out mode. **Flame** lights will flash 5 times to signal the heat function is turned off and locked out. To turn on heat mode, press and hold the **flame** button for 5 seconds, the **flame lights** will flash 5 times and the heat function will be restored. If the heater function is locked, the **flame lights** will keep flashing by press the heater button (3).

Using The Ember Bed / Logset Control Button



Pressing the ember bed control button (7) once lights the ember bed. Continue to press the ember bed control button (7) to cycle through different colors of the ember bed. Reference the table for more information.

Button Press	1	2	3	4	5	6	7
Ember bed/Logset	Orange	Green	Blue	Red	Red/Blue (Mix to Purple)	Red/Green/ Blue (Mix to White)	Cycle
Display	1	2	3	4	5	6	7

Care and Cleaning



IMPORTANT: Always unplug the power cord before cleaning the unit. Allow the unit to cool before cleaning it.

Wipe the exterior surface of the electric firebox occasionally with a soft, damp cloth (not dripping wet), and dry the exterior surface before operating.

Do not immerse the electric fireplace in water.

Do not use any cleaning chemicals such as detergents and abrasives.

Do not allow the interior to get wet, as this could create a hazard.

Light accumulated dust may be removed from the electric fireplace with a soft, dry cloth.

To store the electric fireplace, put it back into its original packaging and store in a clean, dry place.

The blower and flame motor are pre-lubricated for a durable using time and need no further lubrication or maintenance. Dust particles will accumulate on/in the electric fireplace, so periodic cleaning/vacuuming of the electric fireplace is recommended.