

ICONCV890BK/ICONCV890C

Wall Mounted Electric Fire

User manual

innocenti

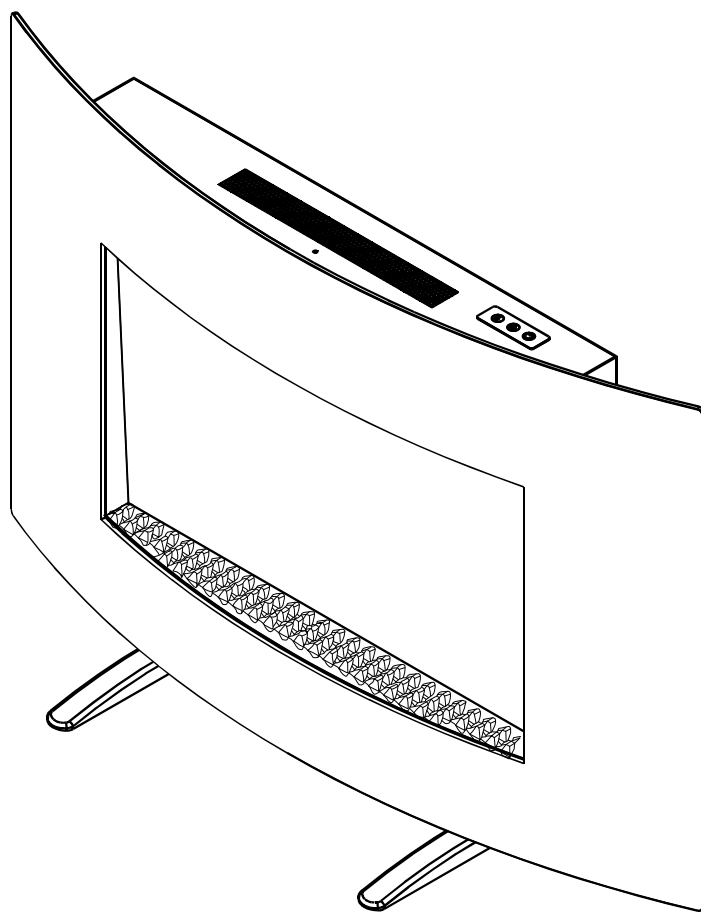



TABLE OF CONTENTS

| | |
|-----------------------------------|------|
| Safety Information..... | 3 |
| Preparation (Installation) | 4-10 |
| Operating Instruction..... | 11 |
| Care and Maintenance..... | 12 |
| Troubleshooting..... | 13 |

SAFETY INFORMATION

Please read and understand this entire manual before attempting to assemble , operate or install the product.

 **WARNING:** Any use of this appliance other than that recommended by the manufacturer in this owners manual may cause fire, burns, electric shock and/or other serious injuries or death.

When using electrical appliances, basic precautions should always be followed to reduce the risk of fire, electric shock and injury to persons including the following:

1. Read the manufacturers instructions completely before using this appliance.
2. This appliance will become hot when in use. To avoid burns, do not let bare skin touch hot surfaces. The grill at the top of this heater in particular will become hot when the heater is active. Take special care not to block the air intake or exhaust vents.
3. Extreme caution is necessary when the appliance is used by or near children or invalids and whenever the heater is left operating and unattended.
4. Do not operate the heater if the power cord or plug has been damaged or the heater has been damaged or malfunctioned in any way. Take the appliance to an authorized service facility for examination, electrical or mechanical adjustment or repair.
5. Do not use outdoors.
6. This heater is not intended for use in bathrooms, laundry areas and similar indoor locations. Never locate heater where it may fall into a bathtub or other water container.
7. To disconnect the appliance, turn all controls "OFF", and then remove the plug from the electrical outlet.
8. The appliance comes equipped with a BS 3 pin plug. Do not cut the Earth pin. Connect to properly grounded 220 ~ 240V outlets only.
9. Do not insert or allow foreign objects to enter any ventilation or exhaust openings as this may cause an electric shock or fire, or damage the appliance.
10. To prevent a possible fire, do not block air intakes or exhausts in any manner. Do not use on soft surfaces, like a bed, where openings may become blocked.
11. All electrical heaters have hot and arcing or sparking parts inside. Do not use in areas where gasoline, paint, or flammable liquids are used or stored or where the appliance will be exposed to flammable vapors.
12. DO NOT connect using an extension cord.
13. When transporting or storing the heater, take care to keep both the unit and power cord/plug dry, free from excessive vibration and away from heat sources.
14. Use the heater only as described in this manual. Any other use not recommended by the manufacturer may cause fire, electric shock, or injury to persons.
15. Do not attempt to burn wood or other materials in this heater.

PREPARATION

ELECTRICAL CONNECTION



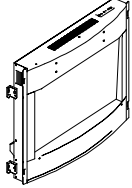
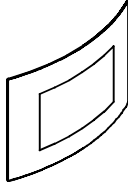
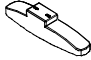

WARNING: Electrical outlet wiring must comply with local building codes and other applicable regulations to reduce the risk of fire, electrical shock, and injury to persons.






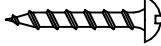

WARNING: Do not use this fireplace if any part of it has been under water. Immediately call a qualified service technician to inspect the fireplace and replace any part of the electrical system which has been under water.



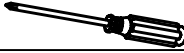
A 13 Amp, 220V~240V volts, 50 Hz circuit with a properly grounded outlet is required to operate this appliance. Preferably, the appliance will be on a dedicated circuit, as other appliances on the same circuit may cause the circuit breaker to trip or the fuse to blow when the fireplace is in operation. The unit comes standard with a 1.8 m/6 ft long 3-wire cord, exiting out the back of the fireplace. Plan the installation to avoid the use of an extension cord. If an extension cord must be used, it must be a minimum No. 14 AWG, 3-wire with grounding type plug and connector, and must be rated not less than 1875 watts. The extension cord shall not be more than 6 m/20 ft in length.

PARTS LIST

| A | 1 PC | B | 1 PC | C | 2 PCS |
|---|--------|--|------|---|-------|
| FIREPLACE | | GLASS PANEL | | FEET | |
|  | |  | |  | |
| D | 100 PC | | | | |
| CRYSTAL | | | | | |
|  | | | | | |

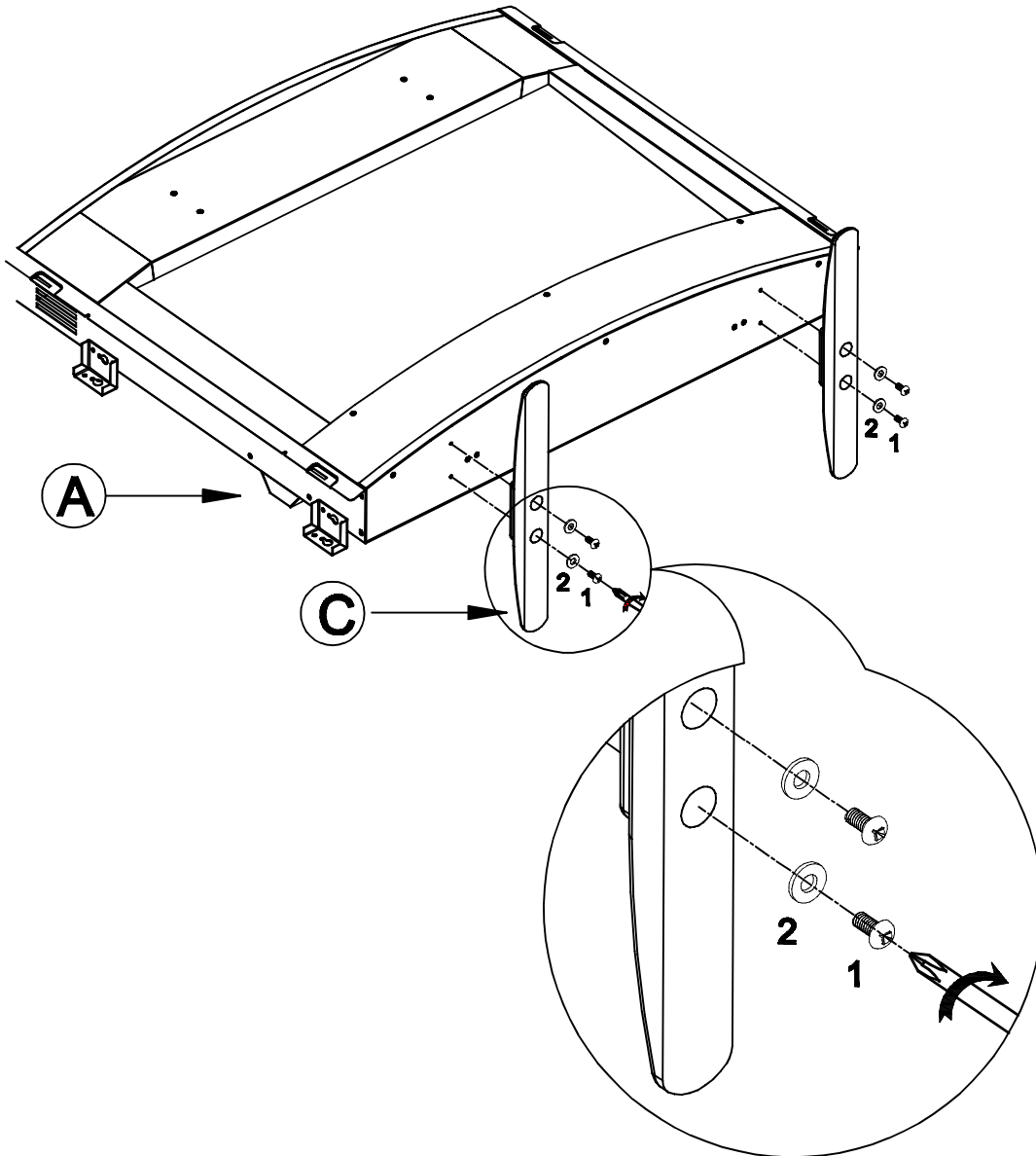
HARDWARE LIST

| 1 | 4 PCS | 2 | 4 PCS | 3 | 4 PCS | 4 | 4 PCS |
|---|-------|---|-------|--|-------|---|-------|
| BOLT | | FLAT WASHER | | PLASTIC WALL ANCHOR | | SCREW | |
|  | |  | |  | |  | |
| OTHER TOOL NEEDED: | | | | | | | |
| PHILLIPS SCREW DRIVER | | | | | | | |
| (NOT INCLUDED) | | | | | | | |
|  | | | | | | | |

| REQUIRED HARDWARE IN THIS STEP | | | |
|--------------------------------|-----------------------|---|--------------|
| NO. | DESCRIPTION | SKETCH | QTY |
| 1 | BOLT |  | 4 PCS |
| 2 | FLAT WASHER |  | 4 PCS |
| | PHILLIPS SCREW DRIVER |  | NOT INCLUDED |

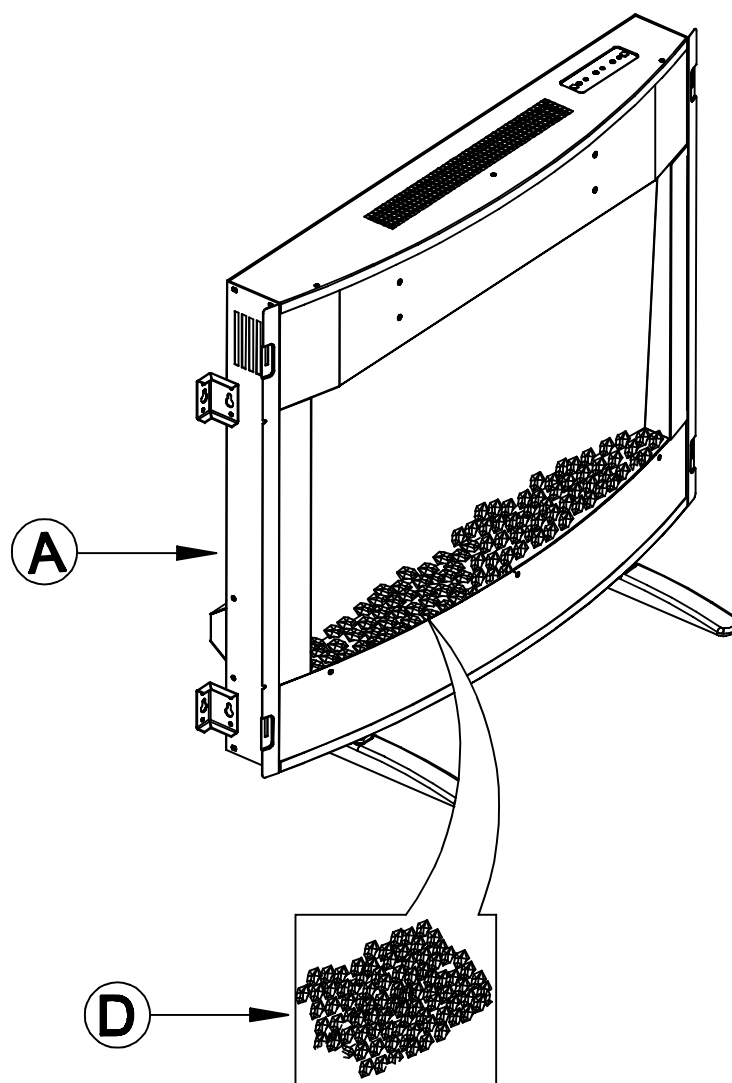
STEP 1

Assemble feet (C) to fireplace (A) with bolts (1) and flat washers (2) by using Phillips screw driver.



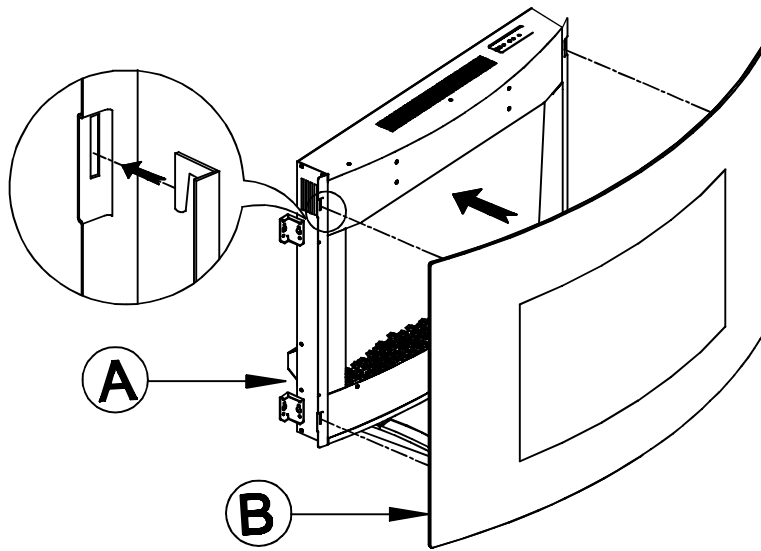
STEP 2

Put the crystal (D) into fireplace (A) as shown in Diagram.

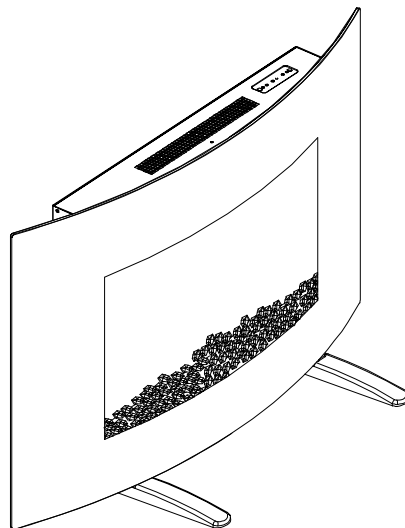


STEP 3

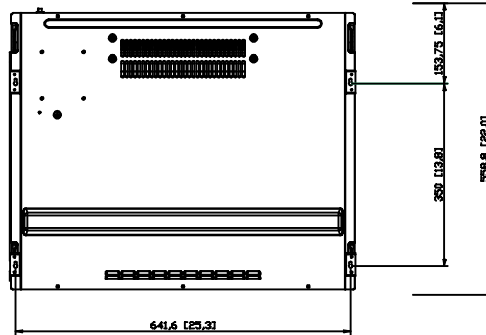
Hang the glass panel (B) to fireplace (A) as shown in Diagram.
In this step, Please make sure the hooks are alignment to the shoulder screws, then put the glass panel to fireplace.



Complete!

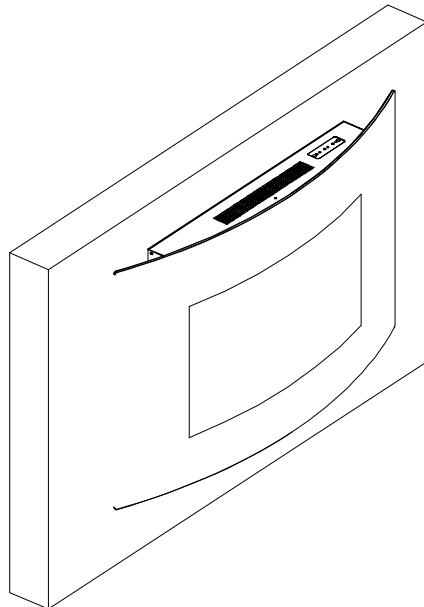



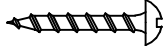

If you would like to mount the fireplace on the wall, please use wall mounting kit and wall anchor bolts. We have provided the template in this manual for you to pre-drill the holes.



Please use the mounting template to drill the holes.

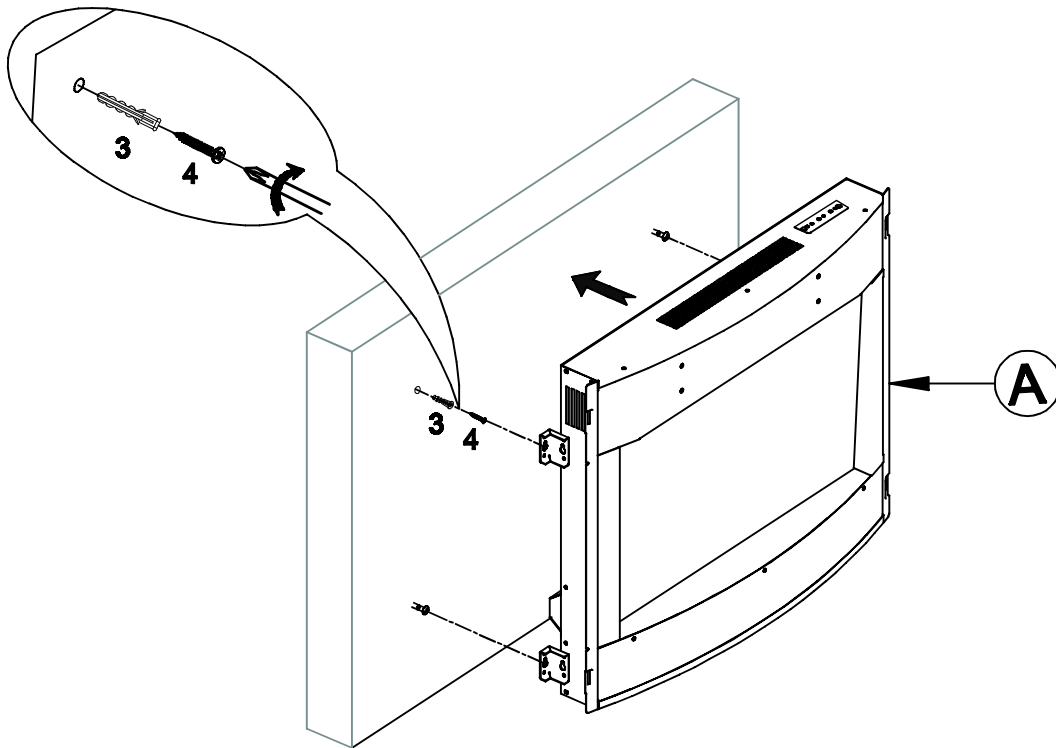
Enclosed the 1:1 template with the fireplace



| REQUIRED HARDWARE IN THIS STEP | | | |
|--------------------------------|-----------------------|---|--------------|
| NO. | DESCRIPTION | SKETCH | QTY |
| 3 | PLASTIC WALL ANCHOR |  | 4 PCS |
| 4 | SCREW |  | 4 PCS |
| | PHILLIPS SCREW DRIVER |  | NOT INCLUDED |

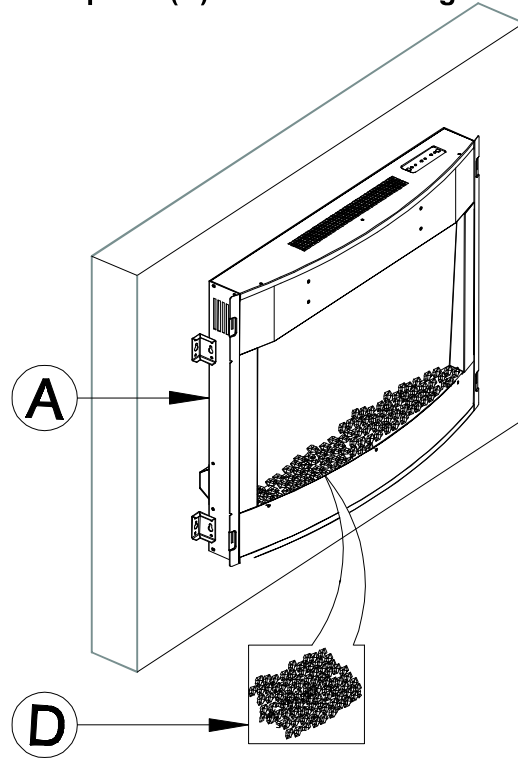
STEP 1

Assemble fireplace (A) to the pre-drilled holes with plastic wall anchor (3) and screw (4) by using Phillips screw driver.



STEP 2

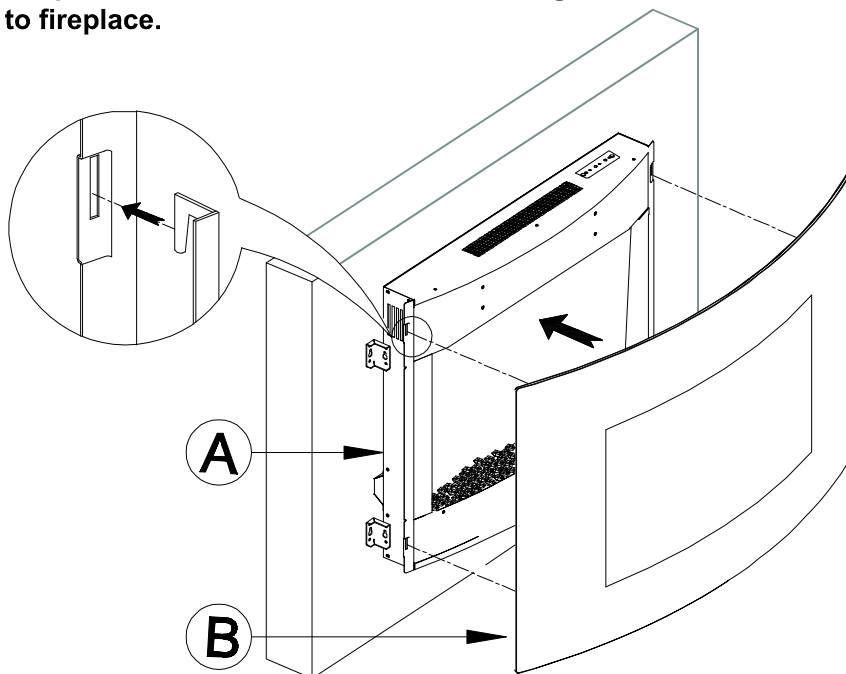
Put the crystal (D) into fireplace (A) as shown in Diagram.



STEP 3

Hang the glass panel (B) to fireplace (A) as shown in Diagram.

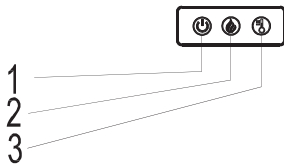
In this step, Please make sure the hooks are alignment to the shoulder screws, then put the glass panel to fireplace.



OPERATING INSTRUCTION

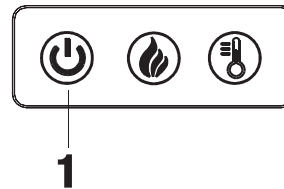
1 Identifying the control panel

- The control panel is located on the top right corner of the fireplace/heater unit.
- The control panel contains the main power (1), flames control (2) and heater control (3).



2 Using the main power button

- Press the power button (1) to turn the fireplace/heater unit on and off. Press the power button (1) once to turn the unit on. Press again to turn the unit off.

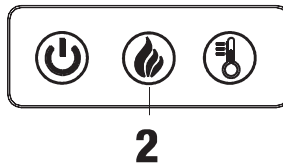


3 Using the flame control

- Press the flame button (2) to set the flames color. You can control the flame effect as the table below:

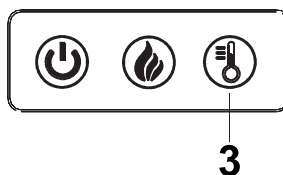
| Button Press | Flame Effect |
|--------------|--------------|
| 1st press | Orange |
| 2nd press | Blue |
| 3rd press | Orange/ Blue |

- If the flame is off when the unit is turned off by the main power button, the flames will come on in highest mode when you turn the heater on.



4 Using the heater control

- The heater button (3) turns the heater on or off. There is no speed setting for the heater blower. If the heater is on when the unit is turned off by the main power button, when the power is turned back on, the heater will come on at the same time. If the heater is off when the power is off, the heater will remain off when power is turned back on.
- When the flame function turns on, press the heater button (3) once to turn the heater on. Press again to turn the heater off.
- When the flame function turns off, the flames will come on in highest mode when the unit is turned on heater button (3).



CARE AND MAINTENANCE

⚠ WARNING: Before attempting to perform any maintenance on this unit, turn all controls to the “OFF” position and unplug. Allow the unit to be “OFF” for at least 10 minutes before any maintenance applied in order to allow all components to cool down properly.

Cleaning:

1. To remove dust, fingerprints or other marks from glass window, use clean damp cloth. Do not spray glass cleaner or other liquids directly onto the glass.
2. Clean metal surfaces with a clean damp cloth making sure not to push dust or debris into any air intake or exhaust vents.
3. Do not use abrasive cleaners or spray liquids on any part of the appliance.
4. Periodic cleaning/vacuumping of the fan/heater unit is strongly recommended to ensure that no dirt or foreign objects build up.

Replacing Remote Control Battery

If the remote controls stops functioning or operate poorly, the battery should be replaced with new one (model#CR2025).

1. The battery compartment can be found on the back side of the remote control.
2. Press and slide the battery door to open and remove the old battery.
3. Insert a new CR2025 coin battery, making sure that the polarity “+” and “-” matches properly as illustration showing.
4. Close the battery door.

Trouble Shooting

⚠️ WARNING: Turn off the unit, unplug and allow the unit to cool for at least 10 minutes before attempting to perform any service. Only a qualified professional should attempt to service or repair the unit.

| PROBLEM | POSSIBLE CAUSE | SOLUTION |
|--|---|--|
| Simulated flame is dim or not presenting | <ol style="list-style-type: none"> 1. flame setting improperly 2. "Flame wand" has come loose from bracket. 3. "Flame wand" driving motor is not functioning. 4. Light bulb are burnt out | <ol style="list-style-type: none"> 1. Reset flame 2. Remove screws holding back panel in place and remove back panel. Secure end of "Flame wand" back into the support bracket. 3. Call for Technical Service. 4. Inspect light bulbs and replace if necessary. (See "Replacing Light Bulb") |
| The appliance turns off and will not turn back on | <ol style="list-style-type: none"> 1. The overheat protection device in the appliance has been triggered. 2. House circuit breaker has been tripped. | <ol style="list-style-type: none"> 1. Turn off and unplug the appliance, allow the insert to cool down for at least 10 minutes, then plug in and restart. 2. Reset house circuit breaker. |
| The appliance does not turn on when the appliance setup to be "ON" | <ol style="list-style-type: none"> 1. The overheat protection device in the appliance has been triggered. | <ol style="list-style-type: none"> 1. Turn off and unplug the appliance, allow the insert to cool down for at least 10 minutes, then plug in and restart. |
| Remote Control does not work | <ol style="list-style-type: none"> 1. Low batteries. 2. Turn on the unit by control panel manually before using remote control | <ol style="list-style-type: none"> 1. Replacing with new battery 2. Turn on the unit by control panel manually before using remote control |